

Job/Location: _____
 Contractor: _____
 Prepared By: _____

Job Type: _____
 Date: _____



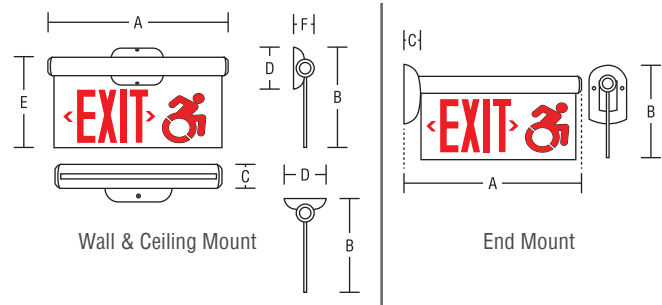
■ specifications: internal

AC only, and self-powered comes standard configured with high output LED technology, 120/277V input. Self-Powered (SA) models use nickel cadmium batteries that provide a minimum 90 minutes of emergency duration. Optional 120 minute duration battery is available. Solid state charger & transfer. Fuse protection is standard.

■ specifications: external

The **CYC-CT** cylindrical housing is constructed as a single piece from extruded aluminum. The canopy is made from durable die-cast aluminum and the end caps from machined aluminum. The high clarity acrylic face plate is available in both single face or double face versions, with a clear, white or mirrored background (please specify). Field adjustable chevrons are standard. White, baked powder coat finish is standard on all versions. Available in custom colors and finishes (please specify). External LED monitor light and test switch are standard on self-powered versions.

■ dimensions (in,mm)



Series	A	B	C	D	E	F
CYC-CT wall	18"	10.75"	2"	4.5"	9"	4"
	457mm	274mm	51mm	114mm	229mm	102mm
CYC-CT ceiling	18"	10.15"	2"	4.5"	9"	4"
	457mm	258mm	51mm	114mm	229mm	102mm

■ ordering logic

EXAMPLE: CYC-SA-LR2-W-WCS-SWCT-BA

Series	Operation	LED	Face No.	Panel	Mounting	Model	Options
CYC	HT (AC only)	LR (red)	1 (single)	C (clear)	WCS (wall/ceiling surface)	SWCT	BA (brushed aluminum)
	SA (self-powered)	LG (green)	2 (double)	W (white)	ES (end surface)	SWHE ¹	CC (custom color - specify)
				M (mirror)			PA (polished aluminum)
							PK12 (12" pendant kit)
							120SA (120 minute emergency)

Note 1: - International ADA Sign

■ specifications: electrical

BATTERY: The **CYC-CT SA** is designed with a maintenance free, Nickel-Cadmium battery providing a minimum emergency duration of 90 minutes. Recharge time of the battery is twenty-four (24) hours. The maximum battery working temperature is 45°C.

CIRCUIT: The **CYC-CT** is configured with high output, high efficiency LEDs. Standard with 120/277V input. All LED versions consume 2W or less nominal power. The charger also has brownout and short circuit protection.

■ specifications: mechanical

The **CYC-CT** uses cutting edge technology and style. The one-piece cylindrical housing is extremely rigid and holds all of the LED circuitry in precision formed mounting channels. Indirect LED illumination lights the acrylic face with crisp, even light. The clear area of the ultra thin face plate virtually disappears once installed. Clear, white, mirrored or self-luminous backgrounds allow the **CYC-CT** to be best matched to the decor. A wide variety of finishes and mounting configurations available will ensure that the **CYC-CT** can be suited to your installation.

■ self-powered versions

The **CYC-CT SA** is designed to operate on battery power in the event of a power failure. Both the battery and charger are completely contained within the standard enclosure. There are no alterations made to the external dimensions of the standard sign. The **CYC-CT SA** utilizes a solid state transformer that eliminates the possibility of relay failure due to particle build up on the relay. Status is easily determined via an LED that indicates AC-ON. A push button test switch allows maintenance personnel to quickly confirm the operational status of the exit on AC fail.

■ warranty

The **CYC-CT** comes with a 5-year factory warranty. Lamps are not covered under the warranty. Deliberate damage, misuse, improper installation effectively cancel the warranty.