

Type: \_\_\_\_\_

Project: \_\_\_\_\_

# PLANEX® (PNL1X4)



## FLAT PANEL LED - 1x4 SELECTABLE LUMENS & CCT

- Field selectable CCTs: 3500/ 4000/ 5000K nominal
- Selectable outputs range from 2600-4350 nominal lumens
- DLC qualified for potential utility rebates
- Long-life LEDs provide L70 of 144,000 hours (L90 of 44,000 hrs)
- Uniform illumination with no visible LED pixilation
- 120-277VAC, 50/60 Hz standard
- 0-10VDC Dimming standard
- Power Factor: > 0.9
- Total Harmonic Distribution (THD): <20%
- CRI > 80
- Flicker-free per IEEE1789-2015 (no adverse effects at 100% output)
- Back-lit construction: aluminum frame, steel back housing and PMMA LED lensing for optimal light distribution, efficiency and longevity
- Easy installation in new construction or retrofit
- Standard earthquake clips provide secure installation in grid ceilings
- Standard mounting options include recessed mounting in grid ceilings or suspended mounting using attached hanging brackets. For mounting in plaster or other hard ceiling, flange mount kits are available.
- Operating Temperature: -20°C to 40°C (-4°F to 104°F)
- cULus Listed for Damp Locations



**APPLICATION:** The **PNL1X4** is ideal for installations in healthcare, offices, banks, retail, hotels, restaurants and schools.

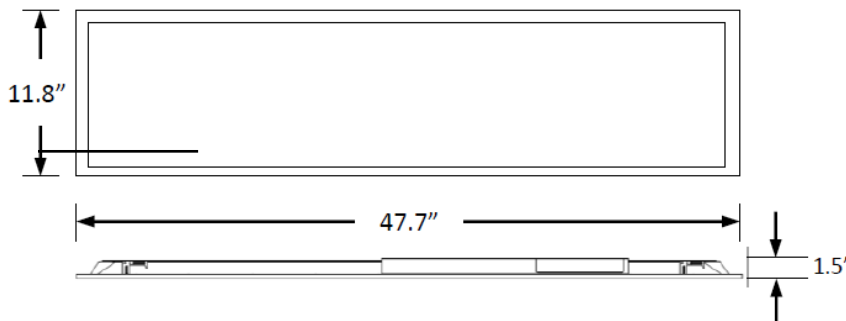
**WARRANTY:** 5 Years

### ORDERING INFORMATION

MODEL	DESCRIPTION	ACCESSORIES
PNL1X4-40L-LKFS	LED flat panel, 1X4, selectable CCT (3500/4000/5000K) & lumens (2600-4350), 120-277V, 0-10V dimming, DLC	CMK (cable mount kit) EM13 <sup>1</sup> (13.7W emergency driver) FMK-14 (flange mount kit) SMK-14 (surface mount kit)

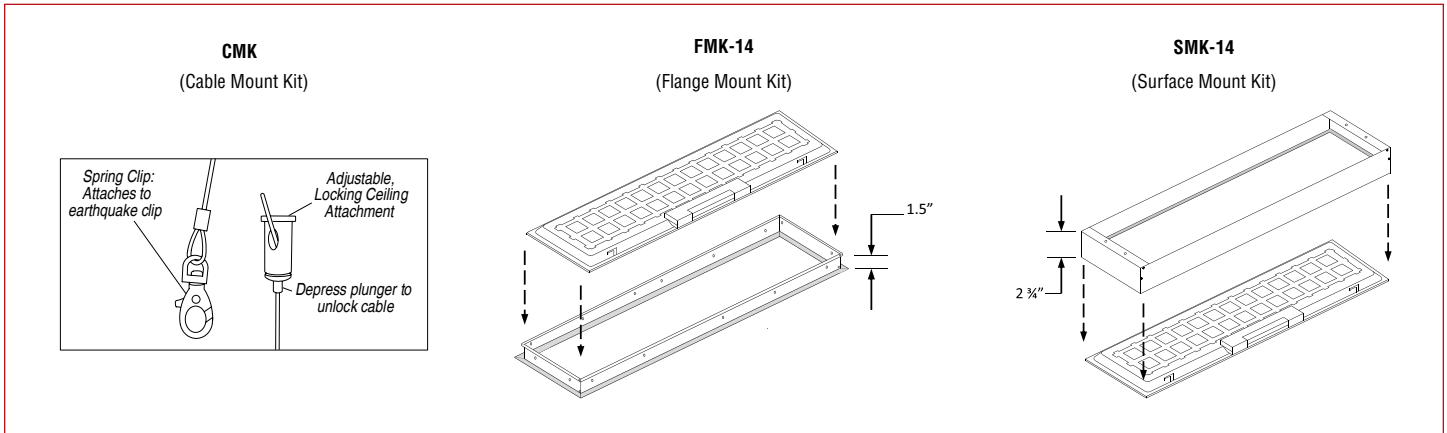
NOTE 1: Mount in field. Contact factory for factory installation.

### DIMENSIONS



Weight: 6 lbs

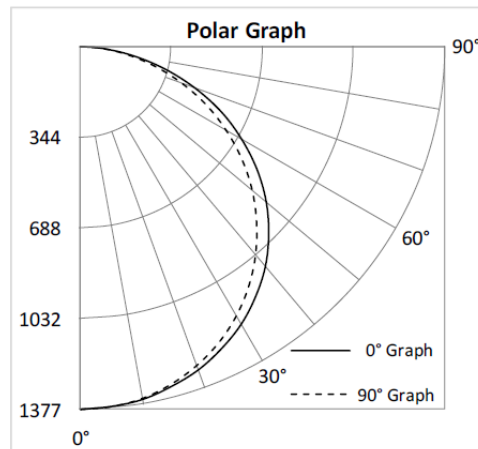
**MOUNTING OPTIONS**



**PHOTOMETRICS**

**Zonal Lumen Summary**

Zone	Lumens	%Fixt
0-20°	506	12.0%
0-30°	1,085	25.7%
0-40°	1,796	42.6%
20-50°	2,044	48.4%
40-70°	1,995	47.3%
0-60°	3,246	77.0%
0-80°	4,117	97.6%
0-90°	4,213	99.9%
90-180°	5	0.1%
0-180°	4,218	100.0%



**PNL1X4-40L-LKFS Luminaire Data**

Description	Back Lit Panel 1X4 40L 5K
Total Lumens	4,218
Input Wattage	34
Efficacy (lm/W)	123
Spacing Criterion (0-180°)	1.32
Spacing Criterion (90-270°)	1.28

**ELECTRICAL DATA**

Series	Measurements	Low Lumens			Mid Lumens			High Lumens		
		3500K	4000K	5000K	3500K	4000K	5000K	3500K	4000K	5000K
1x4	Lumens	2584	2729	2656	3425	3713	3531	4085	4342	4218
	Watts	20	19	20	28	27	28	35	33	34
	Efficacy	127	140	132	122	137	127	117	131	123
	Input Current (A)	120V = 0.17A	120V = 0.16A	120V = 0.17A	120V = 0.23A	120V = 0.23A	120V = 0.23A	120V = 0.29A	120V = 0.28A	120V = 0.28A
		240V = 0.08A	240V = 0.08A	240V = 0.08A	240V = 0.12A	240V = 0.11A	240V = 0.12A	240V = 0.15A	240V = 0.14A	240V = 0.14A
		277V = 0.07A	277V = 0.07A	277V = 0.07A	277V = 0.10A	277V = 0.10A	277V = 0.10A	277V = 0.13A	277V = 0.12A	277V = 0.12A