

Type: _____

Project: _____

CASTEX 700



HAZARDOUS EXIT SIGN

- The **CASTEX 700** is a hazardous location edge-lit exit sign constructed of die-cast, copper-free aluminum in a gray finish with surface mounting as standard. This sign is UL 844 and UL 924 Listed and rated for use in:
 - Class I, Division 1, Groups B, C, D
 - Class I, Division 2, Groups A, B, C, D
 - Class II, Division 1, Groups E, F, G
 - Class II, Division 2, Groups F, G
 - Class III
- **INPUT:** 120 to 277VAC
- **BATTERY:** Lithium ion phosphate battery
- **POWER:** 5W (3W available, consult factory)
- **EM OPERATION:** 3 hours
- **HOUSING:** Die-cast A356T6 aluminum (<0.4% copper) with baked-on gray epoxy finish and stainless steel hardware
- **PANEL:** Tempered glass with red LEDs and dual chevrons (consult factory for alternate configurations)
- **OPERATING TEMP:** - 40°F to 140°F (-40°C to 60°C)
- **EM BATTERY OPERATING TEMP:** -4°F to 140°F (-20°C to 60°C)
- **CRI:** >70
- **INSTALLATION:** Wall and pendant mounting standard. 3/4" NPT hubs provided for conduit feed



- **APPLICATION:** The **CASTEX 700** is ideal for oil and gas industry, chemical industry, ocean, marine and aerospace field, metal treatment, food and alcohol industry, high humidity, high vapor, high dust and high temperature locations.
- **WEIGHT:** 13.2 lbs (6 kg)

ORDERING INFORMATION

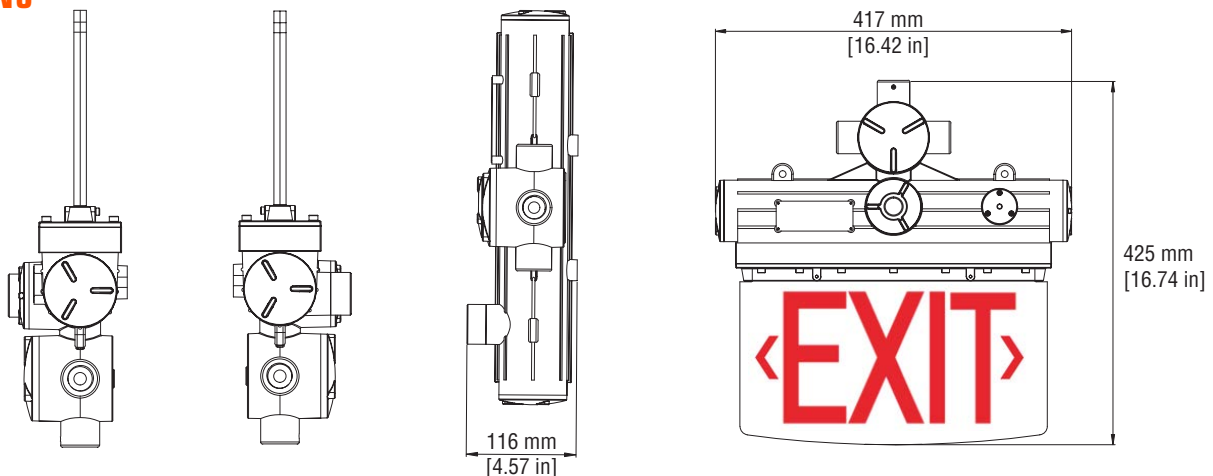
EXAMPLE: HZCAS700 SARHO 120-277V

MODEL	OPERATION	LED COLOR	WATTAGE	INPUT	OPTIONS
HZ CAS700	SA (Self Powered)	R (Red) ¹	HO (5W)	120-277V	HZJBOX (hazardous rated jbox) HZPK12 ² (12" pendant stem) SW (Special Wording - Specify)

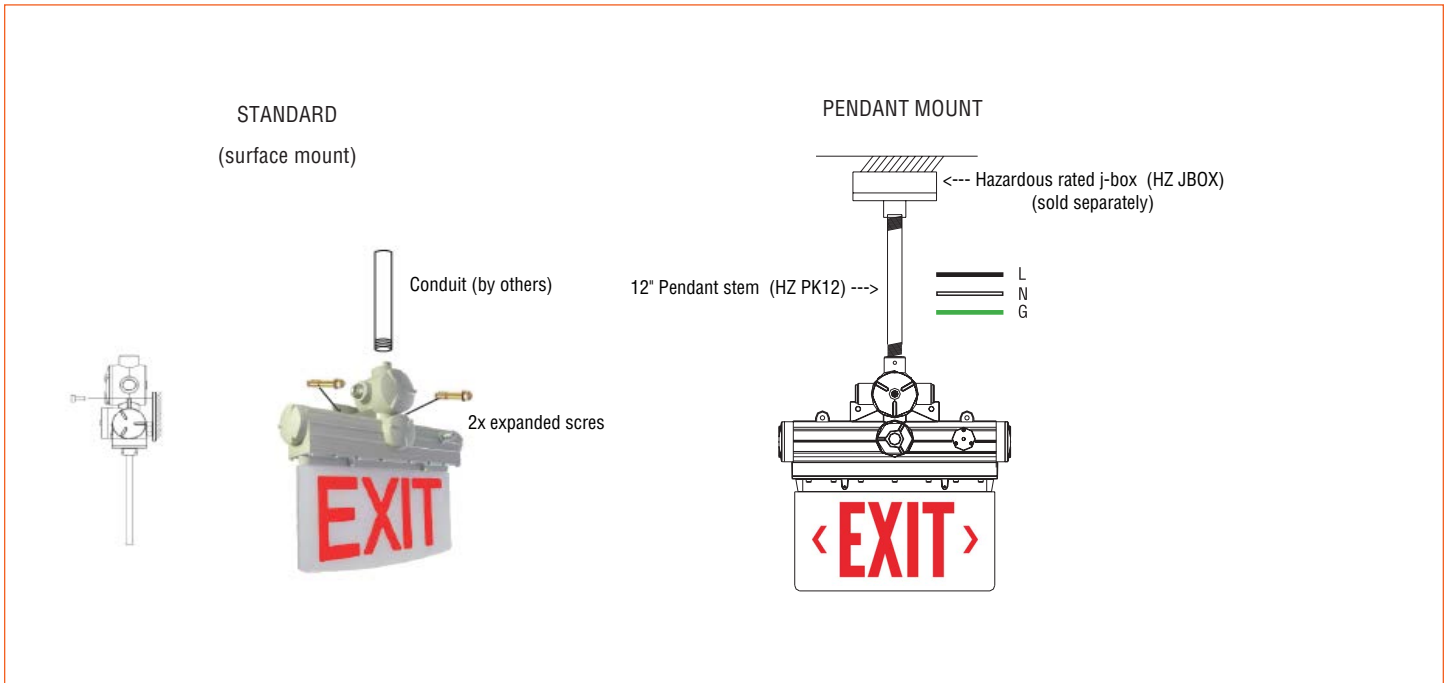
NOTE 1: Consult factory for other configurations
NOTE 2: 12" steel pipe, 3/4" NPT

NOTE: Surface/wall mount is standard.

DIMENSIONS



MOUNTING OPTIONS



- **WARRANTY:** 5 years, see website for full warranty details.