

Type: _____

Project: _____

PLANEX® (PNL2X4)



FLAT PANEL LED - 2x4 SELECTABLE LUMENS & CCT

- Field selectable CCTs: 3500/ 4000/ 5000K nominal
- Selectable outputs range from 3300-5200 nominal lumens
- DLC PREMIUM efficacies optimize potential utility rebates
- Long-life LEDs provide L70 of 144,000 hours (L90 of 44,000 hrs)
- Uniform illumination with no visible LED pixilation
- 120-277VAC, 50/60 Hz standard
- 0-10VDC Dimming standard
- Power Factor: > 0.9
- Total Harmonic Distribution (THD): <20%
- CRI > 80
- Flicker-free per IEEE1789-2015 (no adverse effects at 100% output)
- Back-lit construction: aluminum frame, steel back housing and PMMA LED lensing for optimal light distribution, efficiency and longevity
- Easy installation in new construction or retrofit
- Standard earthquake clips provide secure installation in grid ceilings
- Standard mounting options include recessed mounting in grid ceilings or suspended mounting using attached hanging brackets. For mounting in plaster or other hard ceiling, flange mount kits are available.
- Operating Temperature: -20°C to 40°C (-4°F to 104°F)
- cULus Listed for Damp Locations



APPLICATION: The PLANEX® is ideal for installations in healthcare, offices, banks, retail, hotels, restaurants and schools.

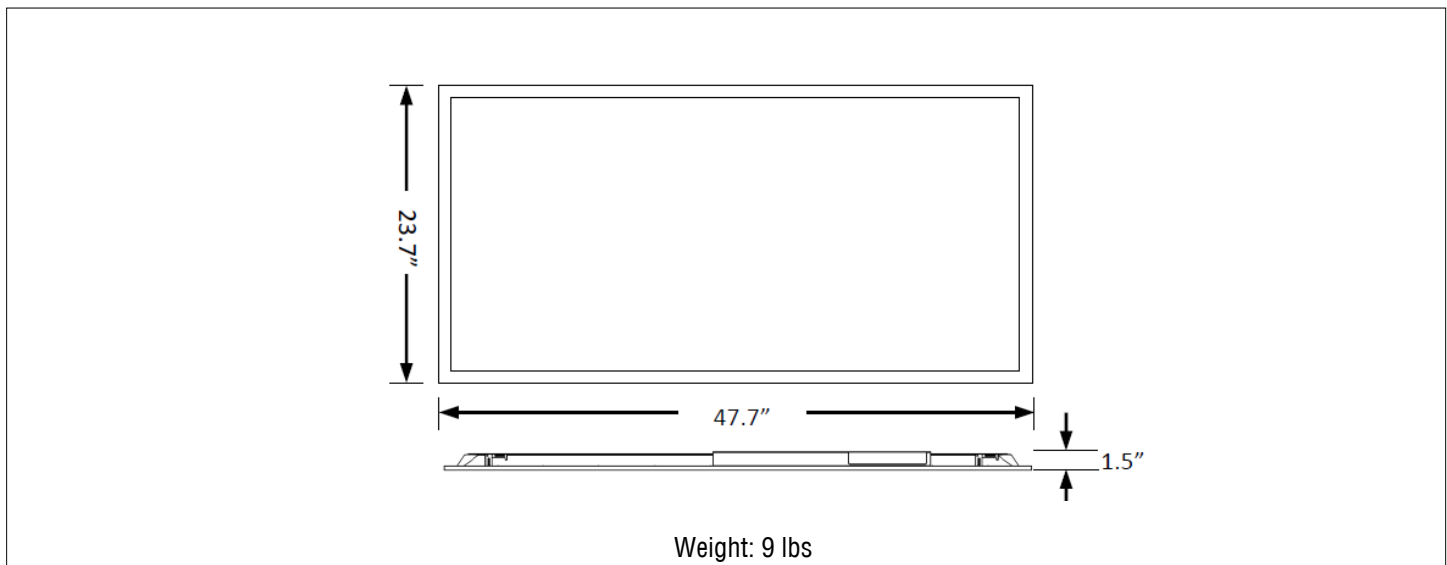
WARRANTY: 5 Years

ORDERING INFORMATION

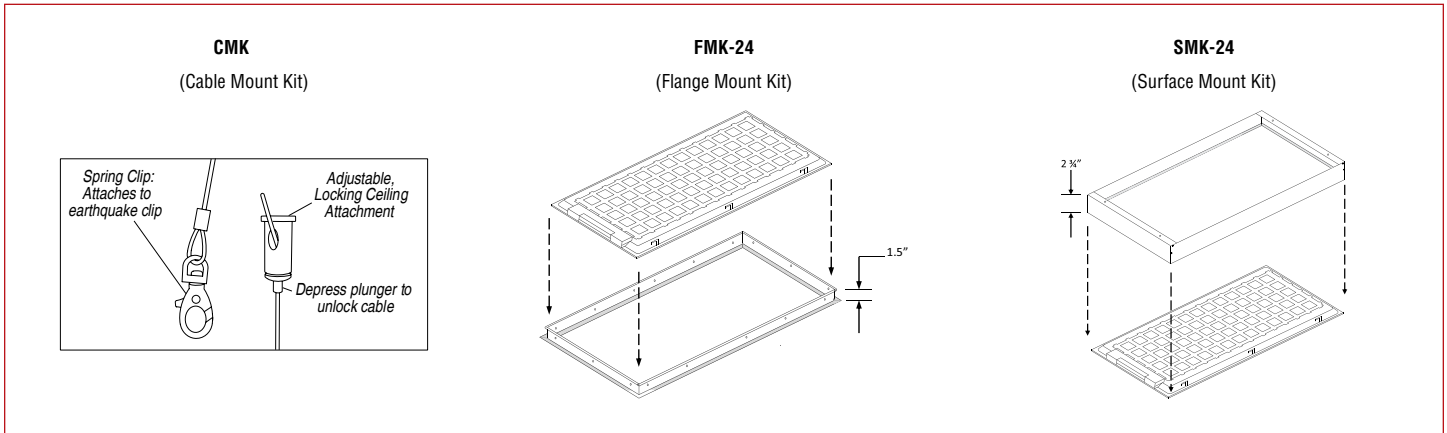
MODEL	DESCRIPTION	ACCESSORIES
PNL2X4-50L-LKFS-PRM	LED Flat Panel, 2x4, Selectable CCT (3500/4000/5000K) & lumens (3300-5200), 120-277V, 0-10V dimming, DLC PREMIUM	CMK (cable mount kit) EM13 ¹ (13.7W emergency driver) FMK-24 (flange mount kit) SMK-24 (surface mount kit)

NOTE 1: Mount in field. Contact factory for factory installation.

DIMENSIONS

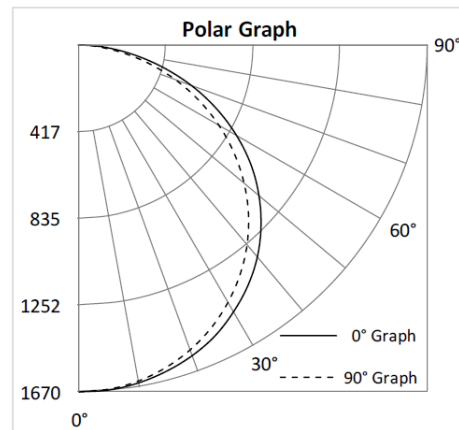


MOUNTING OPTIONS



PHOTOMETRICS

Zonal Lumen Summary		
Zone	Lumens	%Fixt
0-20°	614	11.9%
0-30°	1,316	25.5%
0-40°	2,181	42.3%
20-50°	2,491	48.3%
40-70°	2,457	47.6%
0-60°	3,964	76.9%
0-80°	5,039	97.7%
0-90°	5,152	99.9%
90-180°	5	0.1%
0-180°	5,157	100.0%



PNL2X4-50L-LKFS-PRM Luminaire Data

Description	Premium Back Lit Panel 2X4 50L 5K
Total Lumens	5,157
Input Wattage	38
Efficacy (lm/W)	137
Spacing Criterion (0-180°)	1.34
Spacing Criterion (90-270°)	1.28

ELECTRICAL DATA

Series	Measurements	Low Lumens			Mid Lumens			High Lumens		
		3500K	4000K	5000K	3500K	4000K	5000K	3500K	4000K	5000K
2X4	Lumens	3284	3323	3389	4448	4576	4538	5015	5247	5157
	Watts	24	23	24	33	32	33	38	37	38
	Efficacy	138	148	144	134	144	138	131	141	137
	Input Current (A)	120V = 0.20A	120V = 0.19A	120V = 0.20A	120V = 0.28A	120V = 0.27A	120V = 0.28A	120V = 0.32A	120V = 0.31A	120V = 0.32A
240V = 0.10A		240V = 0.10A	240V = 0.10A	240V = 0.14A	240V = 0.13A	240V = 0.14A	240V = 0.16A	240V = 0.15A	240V = 0.16A	
277V = 0.09A		277V = 0.08A	277V = 0.09A	277V = 0.12A	277V = 0.12A	277V = 0.12A	277V = 0.14A	277V = 0.13A	277V = 0.14A	