

# CURVA COMBO (CRV C)



TITLE  
20



Job: \_\_\_\_\_  
Model: \_\_\_\_\_

Type: \_\_\_\_\_  
Date: \_\_\_\_\_



Recessed Ceiling Mount



Recessed Wall Mount



Surface Mount

## about

The **CURVA COMBO (CRV C)** combines the architectural design of an edge-lit exit sign with fully adjustable, high-output, recessed emergency LED lamp heads for a modern, sleek, aesthetic appeal. The **CRV C** achieves up to 66' on-center spacing and is ideal for offices, classrooms, corridors, lobbies, and other indoor commercial spaces requiring a minimalist aesthetic with high performance emergency lighting.

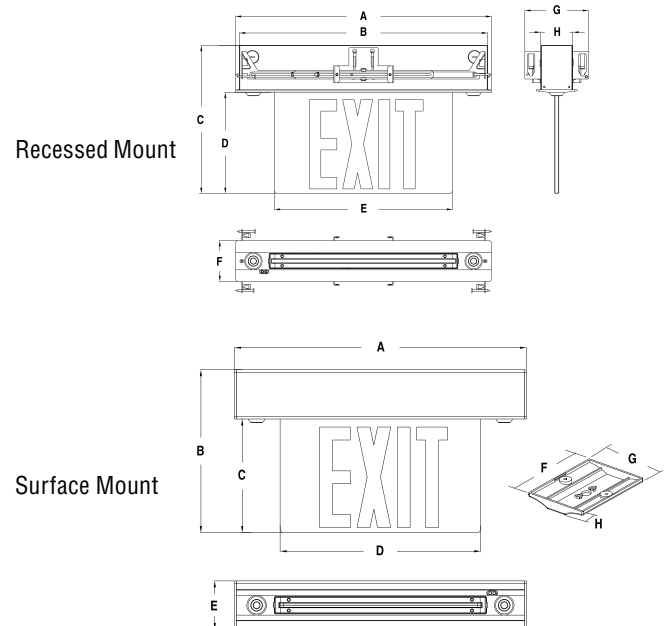
## internal

The **CRV C** exit combo delivers a minimum of 90 minutes of emergency lighting with a maintenance-free NiMH battery. It has 120/277VAC dual input, low voltage disconnect protection and recharges in 24 hours. Autotest is standard with all models and optional remote capability of 3W is also available. Unit is UL Listed for damp locations and operates at temperatures from 5°C to 40°C (41°F to 104°F). With a maximum power consumption of 3W, the CRV C complies with California Energy Commission Title 20.

## external

The **CRV C** is constructed with a steel, extruded aluminum trim plate and high-grade acrylic panels. It features fully-illuminated 6" characters with 3/4" stroke in either red or green and field-selectable directional chevrons. This combo comes standard in brushed aluminum and white housing finishes. The **CRV C** is designed for simple installation and maintenance in any surface or recessed application.

## dimensions



Series	A	B	C	D	E	F	G	H
CRV C (recessed)	17.2"	16.7"	10"	7"	12.4"	2.8"	3.8"	2.2"
	438 mm	425 mm	253 mm	177 mm	314 mm	70 mm	96 mm	55 mm
CRV C (surface)	17.2"	10"	7.0"	12.4"	2.8"	5.5"	4.3"	0.7"
	438 mm	253 mm	177 mm	314 mm	70 mm	140 mm	110 mm	17 mm

## ordering information

EXAMPLE: CRV C SA LG2 MIR SM BA RC

Series	Operation	Letter Color	Faces	Panel	Mounting	Finish	Options
CRV C	SA (AC & EM)	LG (green)	1 (single)	CLR (clear)	R (recessed wall)	BA (brushed aluminum)	RC <sup>2</sup> (3W remote capable)
		LR (red)	2 (double)	MIR (mirror)	SM (surface wall)	WHT (white)	

### Accessories

- WG 3DX16.5LX14W WHT (wireguard, for CRV C recessed wall)
- WG 4.5DX19.5LX13W WHT (wireguard, for CRV C surface wall)

**NOTE 1:** Consult factory for alternate finishes. Leadtime and MOQs may apply

**NOTE 2:** Compatible with BR and BRW remote heads

**NOTE:** Autotest (AT) is standard

## ■ emergency heads

The CRV C is designed with two recessed, fully adjustable 2.5W LED lamp heads that provide a minimum of 90 minutes of emergency egress illumination. Remote capability of 3W is an option (additional 3.6V battery). Compatible with three BRW 1 remote heads, one BRW 2 remote head or one BR 1 remote head.

## ■ electrical

**BATTERY:** The CRV C uses long-lasting, maintenance-free, 3.6V, 2500mAh, high performance NiMH (Nickel Metal Hydride) batteries.

**CIRCUIT:** The CRV C has a low-voltage disconnect feature. When the battery's terminal voltage falls below predetermined levels, the low-voltage circuit disconnects the emergency lighting load. The disconnect remains in effect until normal power is restored, preventing deep battery discharge and improving the life of the battery. The disconnect will also automatically reconnect the load circuit once the battery voltage returns to a normal value after charging.

## ■ mechanical

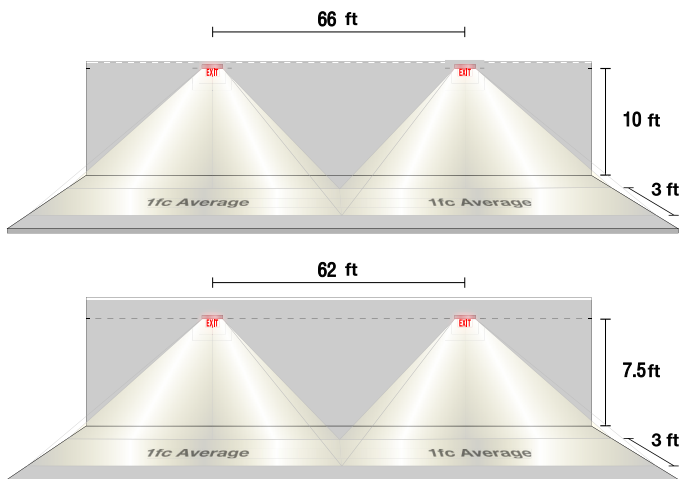
The CRV C is constructed of a steel back housing along with a extruded engineering grade aluminum faceplate with no visible external screws. The panel is of clear high-grade edge-lit acrylic. Stencil letters are 6" high with 3/4" stroke, with minimum of 100' viewing distance rating as required by UL 924 standard. Double-face panels are supplied with a mirror or white insert. Units are supplied with field-selectable directional chevrons for optimal flexibility in all applications.

## ■ self-powered

The CRV C will operate for a minimum of 90 minutes during a loss of power with a 24 hour maximum recharge time for the battery.

## ■ photometrics

Using multiple CRV C units (2.5W lamps at 400 lm total) mounted at a 10' ceiling height delivers 66' on-center spacing with a 3' wide path of egress. Mounted at a typical 7.5' achieves 62' on-center spacing.



### Disclosure:

Spacing is measured in lab conditions with an assumed open space, no obstructions and reflection rates of 80 (ceiling)/50 (walls)/20 (floor). Actual spacing may vary depending on what environment the fixture is installed in.

## ■ installation

The CRV C is available in two mounting options: surface and recessed.

**Surface Mounting:** Canopy and sleek painted steel housing are provided for surface mounting. All hardware is included.

**Recessed Mounting:** Recessed mount (ceiling or wall) is supplied with a steel back housing with an adjustable hanger bar assembly.

## ■ autotest

The CRV C comes standard with Beghelli's Autotest diagnostics. The circuit continuously monitors the operating condition of the AC power, battery supply voltage, LEDs and charging circuit. The purpose of this function is to indicate any fault with the unit. If a failure is detected, visual status will occur immediately via the dual color LED indicator. The Autotest circuit also monitors the transfer circuit as well as performing automatic code compliance testing. Refer to the Curva Como Autotest instruction manual for detailed information.

### SYSTEM FEATURES

- Monitors battery connection, charger status, LED status and transformer status every 5 seconds without discharging the battery.
- Automatically indicates LED, battery and charger faults by flashing the red LED in a specific sequence. Refer to Curva Combo Autotest instruction manual.
- Factory preset Autotest does not need to be field adjusted or reset for proper operation.

### AUTOTEST FUNCTIONS:

- One (1) minute Autotest every month.
- Thirty (30) minute Autotest every six (6) months.
- Ninety (90) minute Autotest every twelve (12) months.

Refer to Curva Combo Autotest instruction manual for detailed operation of the Autotest function.

## ■ warranty

The CRV C comes with a 3-year factory warranty. Battery is prorated for two years. Deliberate damage, misuse, improper installation effectively cancel the warranty. Find complete warranty details on-line at [beghelliusa.com](http://beghelliusa.com).