

BR REMOTE HEADS



Job/Location: _____
 Contractor: _____
 Prepared By: _____

Job Type: _____
 Date: _____



internal

The **BR series** operates with 6-12VDC voltage input. Single LED remote head is 1.7W and double head is 3.5W. The **BR** is suitable for use in 0°C to 40°C (32°F to 104°F) ambient temperatures.

external

The **BR** housing is constructed with 5VA flame retardant, injection-molded thermoplastic ABS in a white finish. Black housing is optional. Suitable for wall mount or ceiling mount and damp locations. The **BR** is available in fully adjustable round shape single and double head configurations.

illumination

The **BR series** features SMD 2835 LEDs, with a color temperature of 6K and L70 > 35,000 hours. The single head lumen output is 150 lm, while the double head lumen output is 300 lm. The **BR series** has a beam angle of 20°.

ordering information

Model ¹	Description
BR-1	Remote Head, Damp Location, Single, 1.7W LED, 6-12VDC, Thermoplastic, White
BR-2	Remote Head, Damp Location, Double, 3.5W LED, 6-12VDC, Thermoplastic, White

Note 1: Black housing is optional. Contact factory.

lamps

Model	Heads	Voltage (V)	Wattage (W)
BR-1	Single	DC 6-12V	1.7W
BR-2	Double	DC 6-12V	3.5W

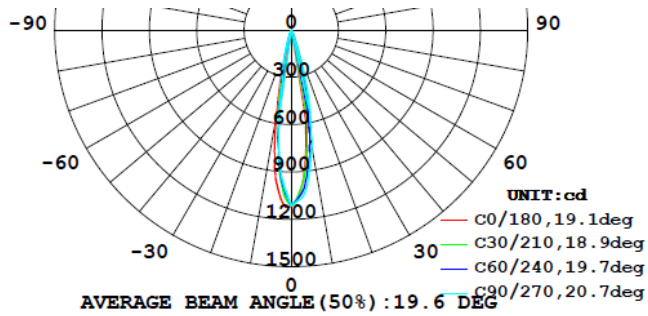
Luminous Flux @6VDC input At distance from power supply

Model	3 ft	16 ft	32 ft	50 ft	80 ft
BR-1	150 lm	130 lm	138 lm	117 lm	76 lm
BR-2	300 lm	260 lm	276 lm	234 lm	152 lm

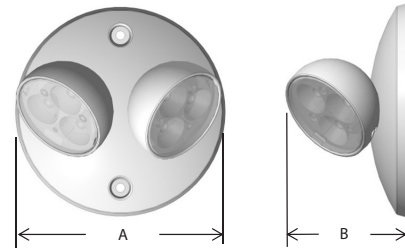
warranty

The **BR series** comes with a 3-year factory warranty. Deliberate damage, misuse, or improper installation effectively cancel the warranty. Find complete warranty details on-line at beghelliusa.com.

photometrics



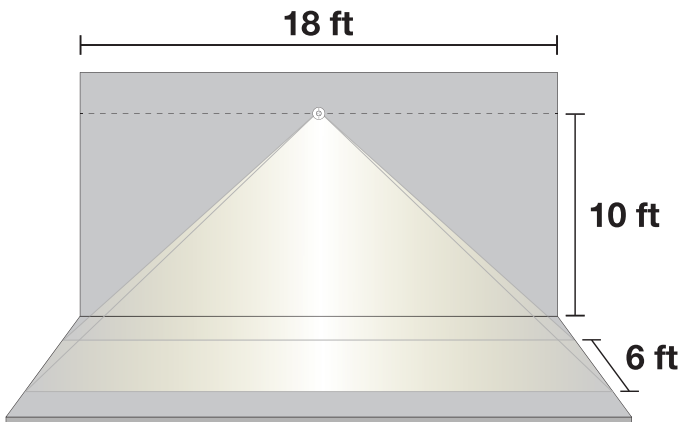
dimensions



Series	A	B	C
BR-2	4.5"	2.75"	N/A
	114 mm	70 mm	N/A

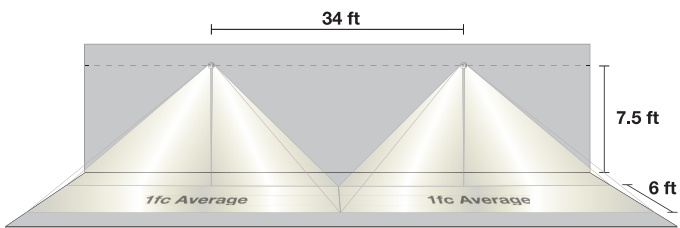
single remote head

Assuming that remote head mounting is a 32 ft distance from emergency unit. Remote head mounting height 10 ft.



double remote head

Assuming that remote head mounting is 32 ft distance from emergency unit. Remote head mounting height 7.5 ft.



Disclosure:
Spacing is measured in lab conditions with an assumed open space, no obstructions and reflection rates of 80 (ceiling)/50 (walls)/20 (floor). Actual spacing may vary depending on what environment the fixture is installed in.