

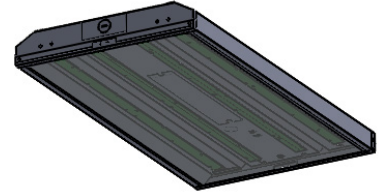
VALORE

INSTALLATION INSTRUCTIONS



Beghelli USA
3250 Corporate Way
Miramar, Florida 33025 USA
P: 800 726 4316 / P: 954 442 6600
F: 954 442 6677
www.BeghelliUSA.com

VALORE

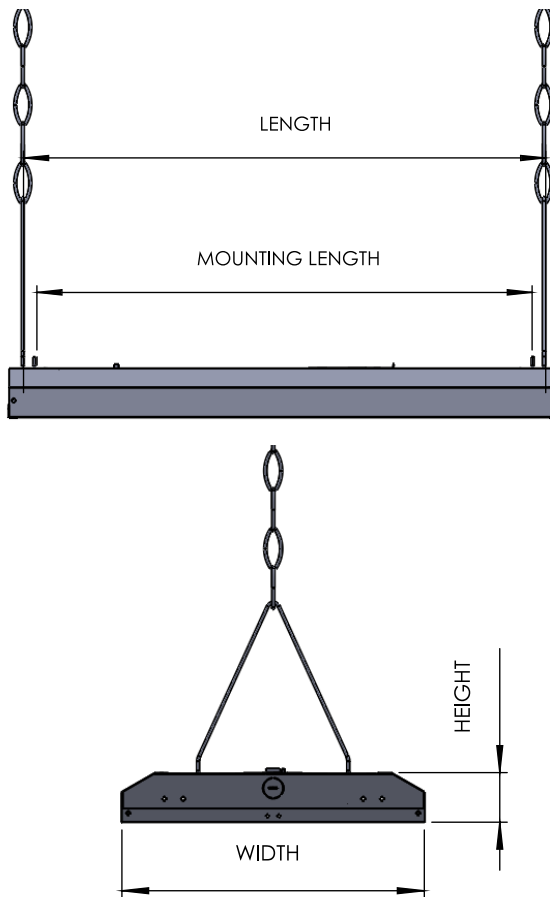


TITLE
24



Beghelli
LUCE.

MODEL INFORMATION



VAL2 LO/HO; VAL4 LO/HO	
WATTAGE	100W; 165W; 225W; 325W
VOLTAGE	120-277V; 50/60Hz
LOCATION	INDOOR
OPERATION	HT (AC ONLY) / 0-10V DIMMING
AMBIENT TEMP	-20°C (-4°F) / 40°C (104°F)
WEIGHT	V2LO: 7.4 lbs V2HO: 10.8 lbs V4LO: 14.0 lbs V4HO: 18.0 lbs
DIMENSIONS	VAL2LO: 23.9" L X 12.6" W X 2.1" H VAL2HO: 23.9" L X 17.3" W X 2.1" H VAL4LO: 45.9" L X 12.6" W X 2.1" H VAL4HO: 45.9" L X 17.3" W X 2.1" H
MOUNTING LENGTH	VAL2LO: 22.6" VAL2HO: 22.6" VAL4LO: 44.7" VAL4HO: 44.7"

IMPORTANT SAFEGUARDS

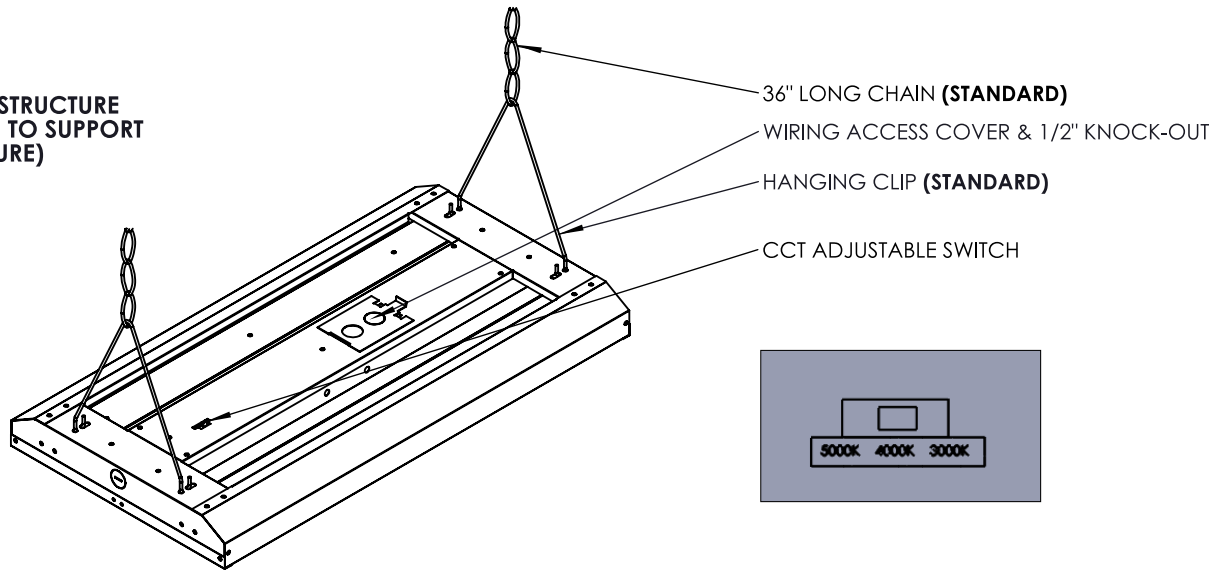
When using electrical equipment, basic safety precautions should always be followed including the following:

READ AND FOLLOW ALL SAFETY INSTRUCTIONS.

1. **CAUTION! ALWAYS MAKE SURE THE POWER IS TURNED OFF** before starting installation.
2. Wiring fixture to power supply, shall be performed by a **certified electrician**, and wired in a manner that **complies with all local and national electrical codes**, as well as the **manufacturer's wiring diagram**.
3. Proper replacement of a part removed for user maintenance.

SAVE THESE INSTRUCTIONS!

CEILING (CEILING'S STRUCTURE SHALL BE ADEQUATE TO SUPPORT THE WEIGHT OF FIXTURE)

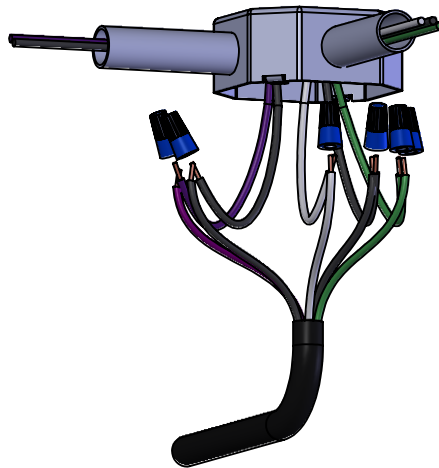


DIMMING WIRING DIAGRAM

1. 0-10V dimming wires must be run from a different conduit out of the J-box.

0-10V LEAD

VIOLET.....(DIM +)
 GRAY.....(DIM -)

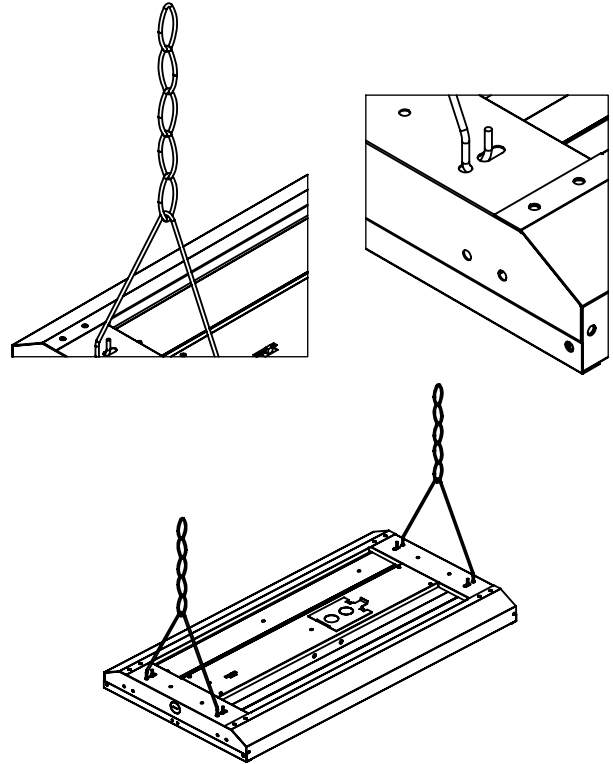


AC LEADS

BLACK..... (HOT)
 WHITE.....(NEUTRAL)
 GREEN..... (GROUND)

CHAIN HANG KIT (CH) (STANDARD)

1. Install chain on the clip.
2. Hook the assembly onto the fixture.



AVIATION CABLE KIT (AC)

1. Position the paddle in the position, which you can insert the ball end of the cable and paddle thru the open slotted holes.
2. Center the gripper on the cable and lock in place with set screw.
3. Feed the cable from the canopy through the gripper as shown above. **(Locking mechanism - push to unlock; release to lock)**

