

PLANEX ECO (2x4)

INSTALLATION INSTRUCTIONS

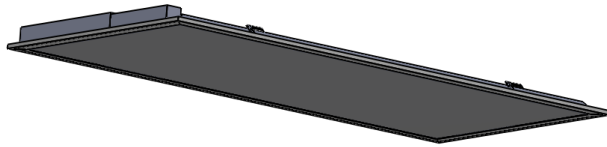


Beghelli USA
3810 Executive Way
Miramar, Florida 33025 USA
P: 800 726 4316 / P: 954 442 6600
F: 954 442 6677
www.BeghelliUSA.com

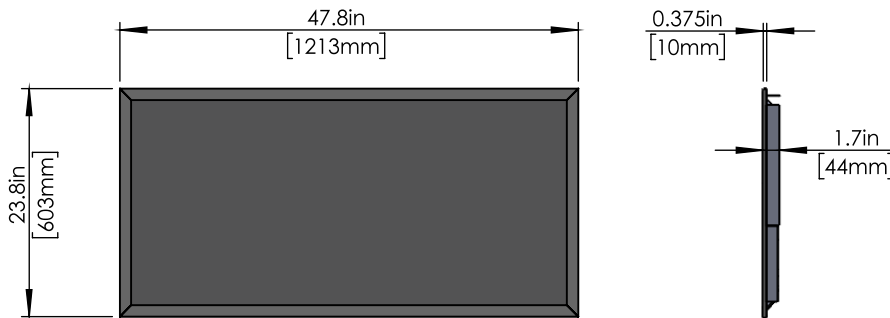


Beghelli Mexico
Av. Del Marqués No. 70, Int. 4
Parque Industrial Bernardo Quintana
C.P. 76246 El Marqués, Qro.
P: +52 442-221-6439 / F: +52 442-221-6215
www.BeghelliMexico.com

2X4 PLANEX ECO



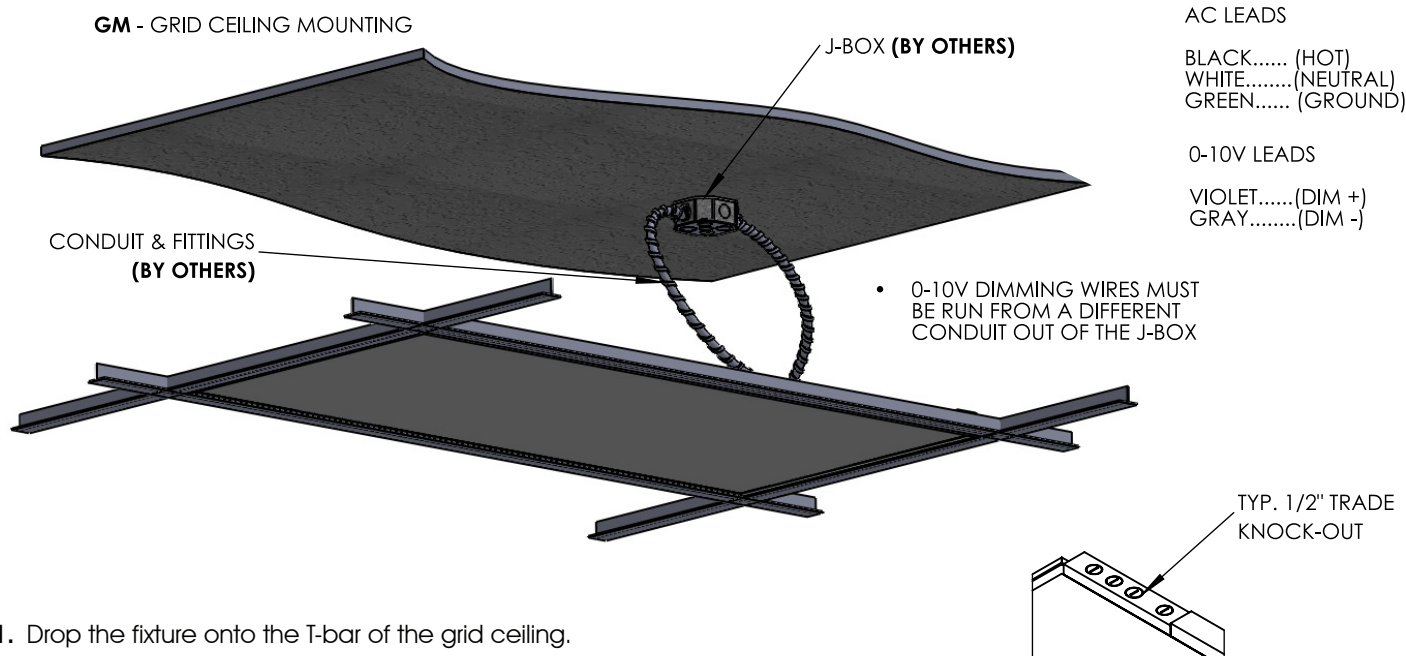
PLANEX ECO 2X4	
WATTAGE	30W/36W/40W
VOLTAGE	120-277V 50/60Hz
LOCATION	INDOOR
OPERATION	HT (AC ONLY)/0-10V DIMMING
AMBIENT TEMP.	-20°C(4°F)/40°C(104°F)
WEIGHT	9 lbs / 4 kg
DIMENSION	47.8" L X 23.8" W X 1.7" H



IMPORTANT SAFEGUARDS

- 1. CAUTION! ALWAYS MAKE SURE THE POWER IS TURNED OFF** before starting the installation
- Measure, locate fixture's position, and mark locations for mounting devices.
- Secure brackets to ceiling as shown on next page. **(HARDWARE BY OTHERS)**
- Wiring fixture to power supply, shall be performed **by a certified electrician**, and wired in a manner that complies with all **local and national electrical codes**, as well as the **manufacture's wiring diagram**.

GRID CEILING MOUNT (GM) (STANDARD)

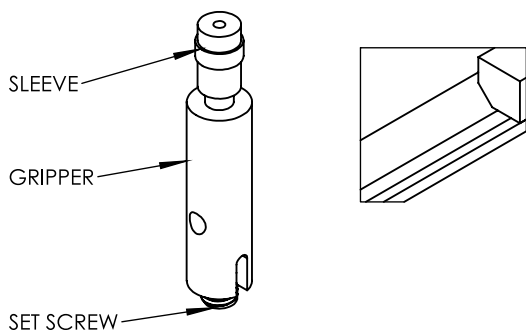
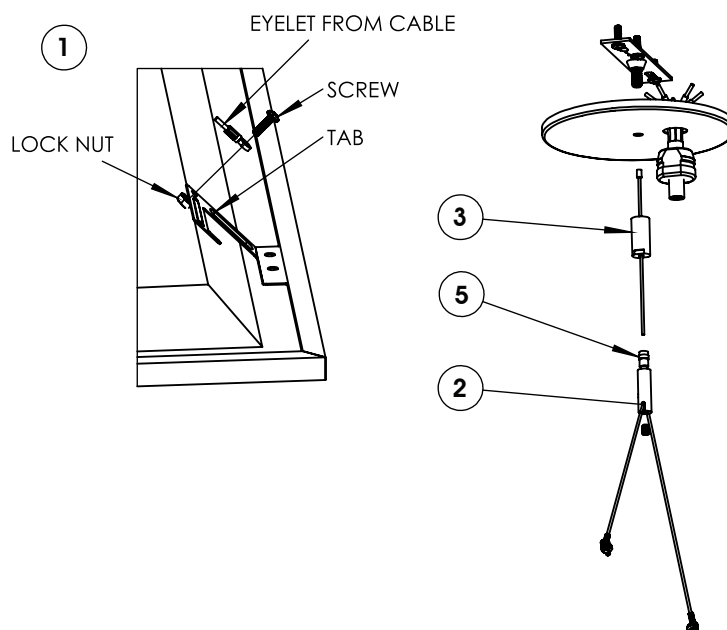


1. Drop the fixture onto the T-bar of the grid ceiling.

NOTE: Fittings, conduits, power cord, etc... (by others)

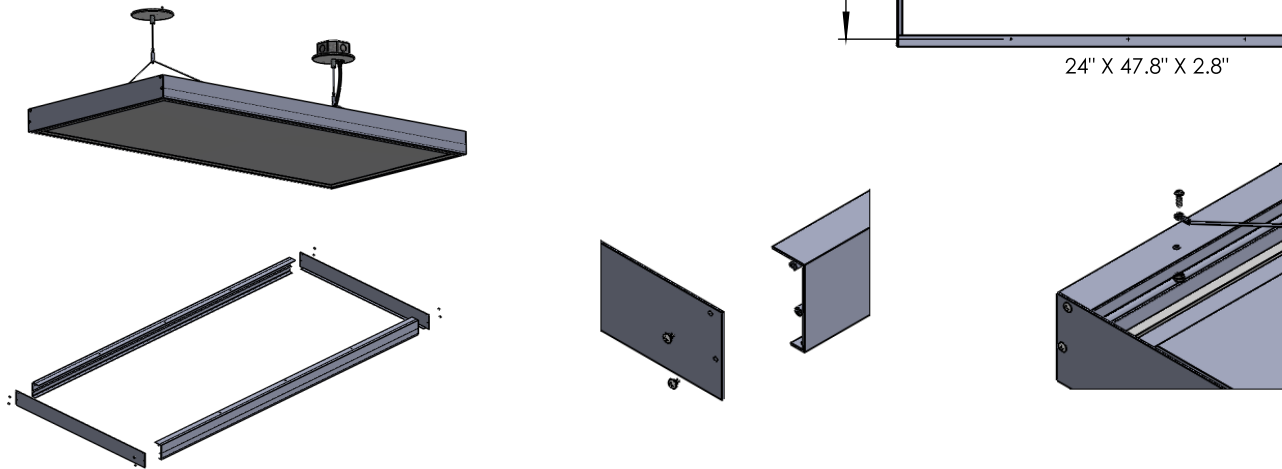
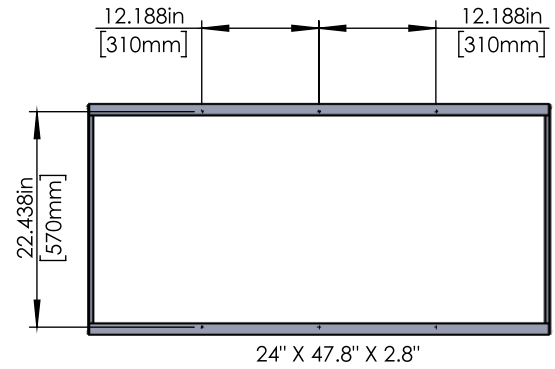
AIRCRAFT CABLE MOUNT (AC) - 2 POINTS

1. Attach Span Cables to the Tab-Hooks on the fixture.
2. Attach Span Cable to the Cable Gripper & secure with the Set Screw.
3. Insert the Suspension Cable through the Coupling.
4. Attached the Coupling to the Canopy Assembly.
5. Release the sleeve on the Cable Gripper to feed the Suspension Cable through the Cable Gripper. (Clockwise to lock, Counter-clockwise to release)
6. Grippers can be adjustable, Push to unlock, Release to Lock (on sleeve)



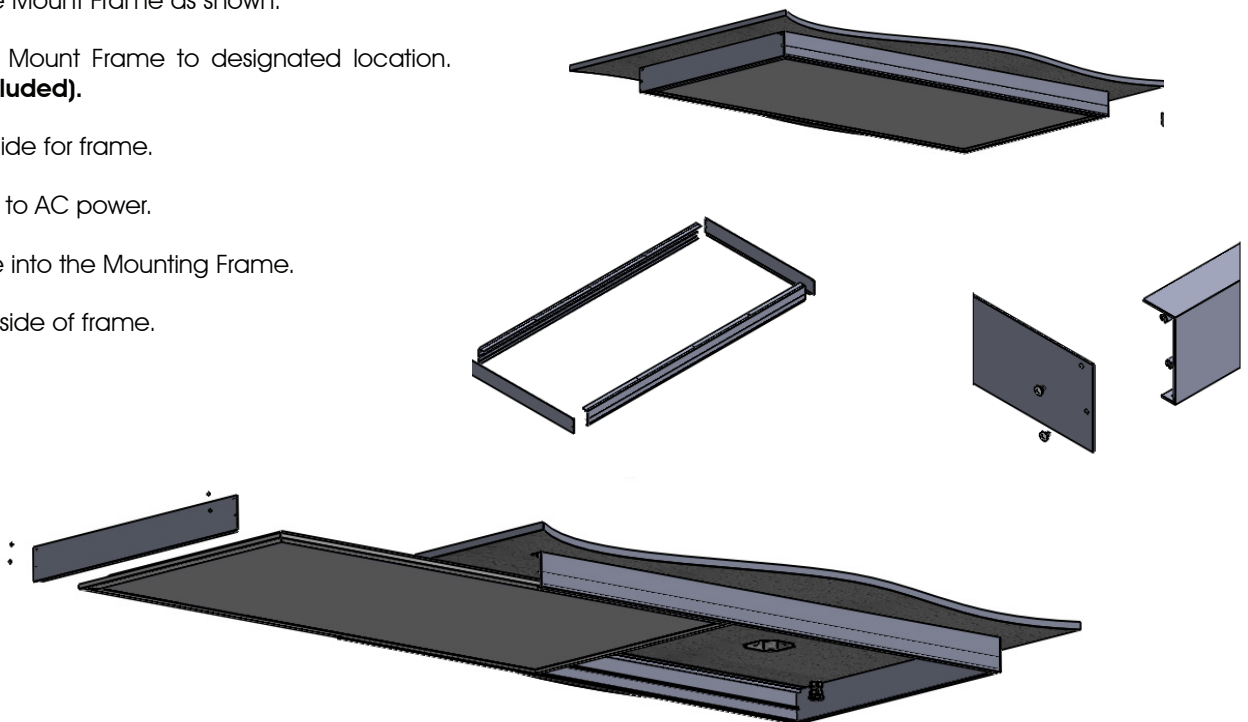
AIRCRAFT CABLE MOUNT + SURFACE MOUNTING FRAME (AC + SM)

1. Assemble the frame together, left one side open.
2. Refer to **(SM- SURFACE MOUNT)** for inserting the fixture inside the frame, then finish closing the frame.
3. Attach span cable to the frame as shown below
4. Follow step 2-6 from **AC- AIRCRAFT CABLE MOUNT**.



SURFACE MOUNT (SM)

1. Attach Surface Mount Frame as shown.
2. Install Surface Mount Frame to designated location. **(hardware included).**
3. Remove one side for frame.
4. Wire the fixture to AC power.
5. Slide the fixture into the Mounting Frame.
6. Re-attach the side of frame.



RECESSED MOUNT (RM)

1. Identify the location for the Planex, ensure that the structure of the building does not interfere with the recessed frame.
2. Ceiling cut-out 24-5/8" x 48-5/8".
3. Recessed Frame shall be secured to the main structure of the build, or support wood frame **(by others)**.
4. Wire the fixture to AC power supply (refer to **SM-SURFACE MOUNT** for details).
5. Rotate and slide the fixture through the Recessed Frame, and set the fixture into the Recessed Frame.

