

# MULTIPURPOSE AREA LIGHT (MPL)

## INSTALLATION INSTRUCTIONS

MPL15, MPL30, MPL50



Beghelli USA  
3250 Corporate Way  
Miramar, Florida 33025 USA  
P: 800 726 4316 / P: 954 442 6600 F:  
954 442 6677  
[www.BeghelliUSA.com](http://www.BeghelliUSA.com)

## MPL

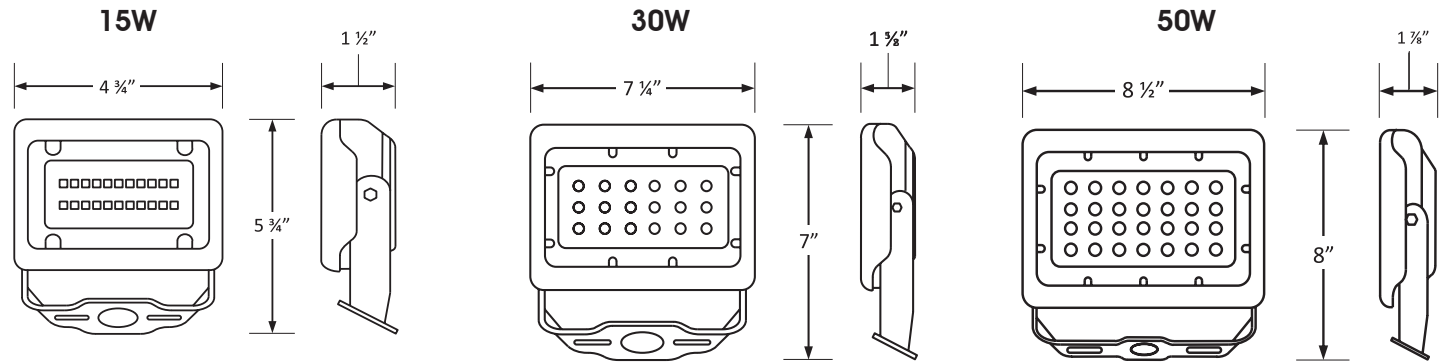
MPL15, MPL30, MPL50

3G Vibration Rated **DLC** 0-77 **DLT** PREMIUM **FC** c **UL** us **IP66** **IK09**



### MODEL INFORMATION

	MPL
<b>WATTAGE</b>	15W, 30W, 50W
<b>VOLTAGE</b>	120-277V (50/60Hz)
<b>SUITABLE FOR</b>	WET LOCATION
<b>OPERATION</b>	HT (AC ONLY)
<b>WEIGHT</b>	<b>15W:</b> 0.9 lbs (knuckle) / 1.1 lbs (yoke only) <b>30W:</b> 2.5 lbs (knuckle & yoke) <b>50W:</b> 3.6 lbs (knuckle & yoke)
<b>DIMENSIONS</b>	SEE BELOW



## IMPORTANT SAFEGUARDS

When using electrical equipment, basic safety precautions should always be followed including the following:

### READ AND FOLLOW ALL SAFETY INSTRUCTIONS.

1. This product must be installed in accordance with the applicable installation codes by a qualified electrician familiar with the construction and operation of the product and the hazards involved.
2. Disconnect power at circuit breaker or fuse before starting installation.
3. To avoid injury, wear gloves during installation.
4. To reduce the risk of electrical shock and product damage, do not install this luminaire during rain or other storms.
5. Do not test luminaire using an electric generator before installation.
6. Use minimum 75°C Supply Wires.

### SAVE THESE INSTRUCTIONS!

**WARNING** ⚠

No user serviceable parts. Refer service to a qualified service technician. Read instructions prior to installing and/or operating this device. Installation should be performed by a licensed electrician/installer in accordance with local codes.

## WIRING DIAGRAM



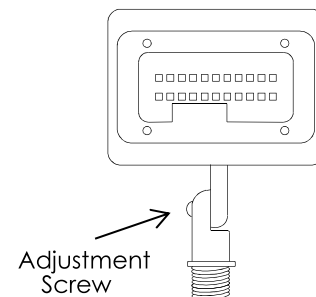
## MOUNTING OPTIONS

THERE ARE TWO MOUNTING OPTIONS FOR THE MPL15-50 LUMINAIRES.

### KNUCKLE MOUNT (KM)

**NOTE:** Knuckle-Mounted models are intended to be mounted to a junction box suitable for the installation environment.

1. Secure luminaire to appropriate junction box.
2. Make supply connections inside junction box (see Wiring Diagram).
3. Replace junction box cover.
4. To adjust the vertical position of the luminaire, use a Philips head screwdriver to loosen the adjustment screw. Reposition the luminaire head to the desired position, then re-tighten the adjustment screw.



## YOKE MOUNT (YM)

---

1. To install the luminaire, mark and drill mounting holes in the structure on which the luminaire will be mounted. Using appropriate hardware (supplied by others), attach the luminaire yoke to the stationary structure.
2. To make wire connections, route the power cord to an appropriate junction box.
3. Make supply connections inside junction box (see Wiring Diagram).
4. Replace junction box cover.
5. To adjust the vertical position of the luminaire, use a hex wrench to loosen the adjustment screw, and reposition the luminaire head to the desired position, then re-tighten the bolt.

