

# LOG-10V12L



## LIGHTING CONTROL NODE


- The LOGICA® 10V12L is a internal lighting control node used to control connected luminaires, by group or individually loads.
- The LOGICA® 10V12L node is integrated in the lighting network to control the luminaires by means of the driver. It communicates wirelessly through the radio frequency with occupancy sensors, light sensors, switches and other compatible LOGICA® devices.



### ORDERING LOGIC

MODEL	DESCRIPTION
LOG-10V12L	LOGICA® wireless node

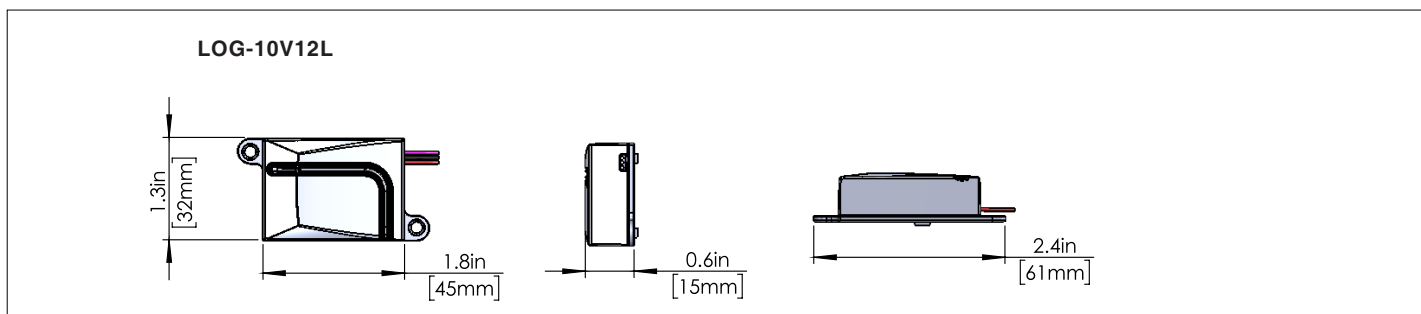
### TECHNICAL SPECIFICATIONS

 <p><b>LOG-10V12</b> NODE 0-10V (INTERNAL)</p>	<b>Input Voltage</b>	12 - 15 VDC
	<b>Continuous Dimming</b>	0-10 VDC
	<b>Standby Power</b>	< 1W
	<b>Number Of Outputs</b>	1
	<b>Operating Temperature</b>	32° - 140°F (0° - 60°C) - Damp location
	<b>Wireless Protocol</b>	Enocean Wireless Protocol
	<b>Wireless Range</b>	150Ft (50Ft-150Ft Typical) / 45.72M (15.24M - 45.72M)
	<b>Start Up &amp; Configuration</b>	Log-Usb (476100295) & Logica Tool
<b>Leads</b>	24" Long Leads	

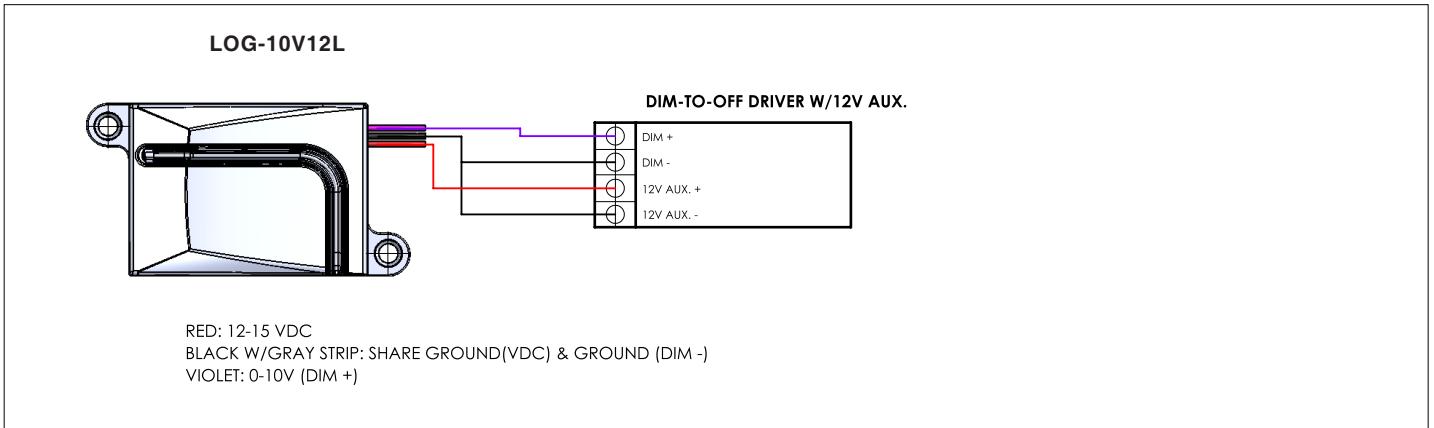
### APPLICATION NOTES

BASIC		ADVANCED	
<b>Zoning</b>	Luminaire level lighting control	<b>Networking</b>	Device monitoring / Remote diagnostic
<b>Addressable</b>	Easy start up and configuration	<b>Scheduling</b>	Personal Control
<b>Scene Control</b>		<b>BACnet</b>	Restricted Access

### DIMENSIONS



WIRING DIAGRAM



COMPATIBLE DEVICES

REMOTE SENSOR (LOG-ML2L) (476100270)	RELAY (LOG-RLY) (476100272)	ACCESS POINT (LOG-AP3) (476100318)	BACnet GATEWAY (LOG-EBOX) (476100316)
SWITCH (LOG-ESRPL) (476100273)			

**NOTE:** For basic or advanced solutions.

BASIC COMMON APPLICATIONS



■ **WARRANTY:** 2 year warranty, see website for full warranty details.