

# ILLUMINA BS1 00LED (4FT) PG

## INSTALLATION INSTRUCTIONS



Beghelli Canada  
3900 14th Avenue  
Markham, Ontario L3R 4R3 Canada  
P: (905) 948-9500  
F: (905) 948-8673  
[www.BeghelliCanada.com](http://www.BeghelliCanada.com)



Beghelli USA  
3250 Corporate Way  
Miramar, Florida 33025 USA  
P: 800 726 4316 / P: 954 442 6600 F:  
954 442 6677  
[www.BeghelliUSA.com](http://www.BeghelliUSA.com)



Beghelli Mexico  
Av. Del Marqués No. 70, Int. 4  
Parque Industrial Bernardo Quintana  
C.P. 76246 El Marqués, Qro.  
P: +52 442-221-6439 / F: +52 442-221-6215  
[www.BeghelliMexico.com](http://www.BeghelliMexico.com)

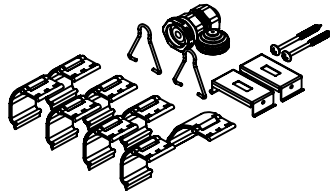
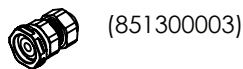
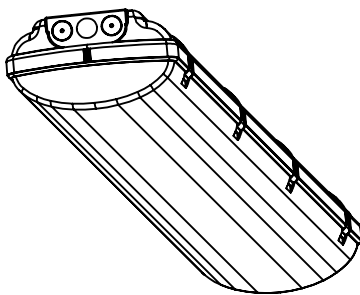
## ILLUMINA BS100LED (4FT) PG



IP66

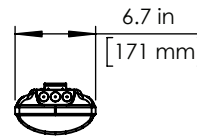
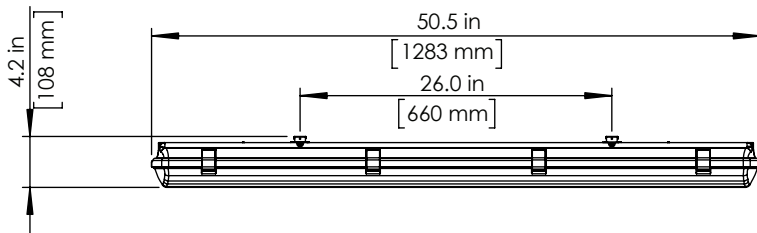


### MODEL INFORMATION



Parts come separately in a bag (851200000)

BS100LED(4FT) PG LO/HO	
<b>WATTAGE</b>	50W/70W
<b>VOLTAGE</b>	120-277V and 347V
<b>WET LOCATION</b>	IP66
<b>OPERATION</b>	HT (AC ONLY)/0-10V DIMMING
<b>WEIGHT</b>	10 lbs
<b>DIMENSION</b>	50.5" L X 6.7" W X 4.2" H



**CAUTION! ALWAYS MAKE SURE THE POWER IS TURNED OFF** before starting installation.

### IMPORTANT SAFEGUARDS

When using electrical equipment, basic safety precautions should always be followed including the following:

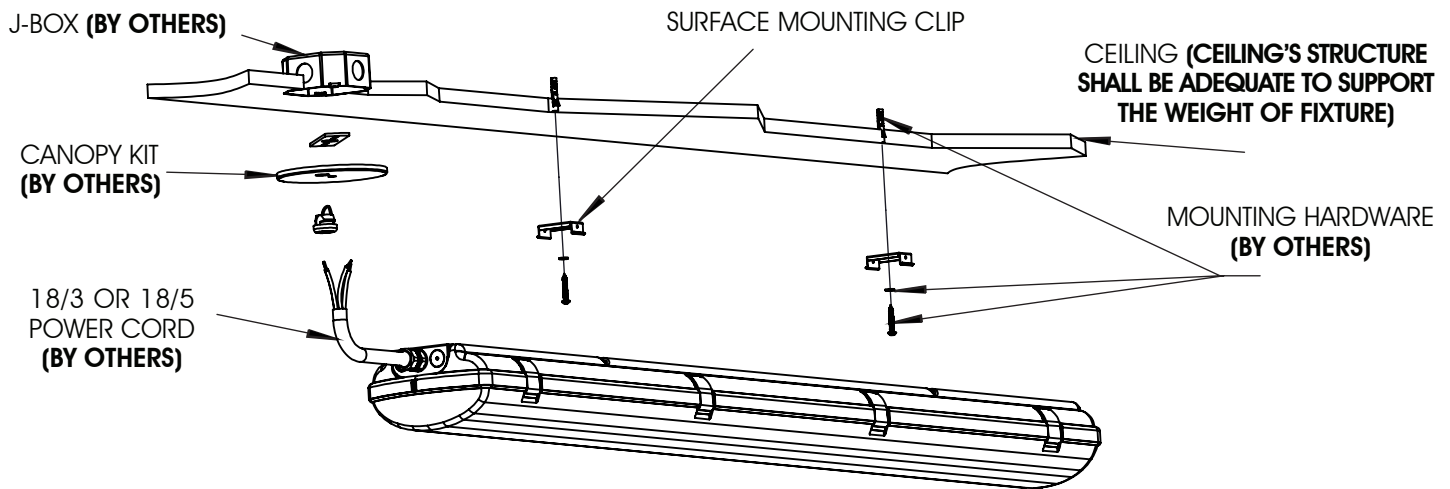
#### READ AND FOLLOW ALL SAFETY INSTRUCTIONS.

1. **CAUTION! ALWAYS MAKE SURE THE POWER IS TURNED OFF** before starting installation.
2. Measure, locate fixture's position, and mark locations for the brackets.
3. Secure brackets to ceiling as shown below. **(HARDWARE BY OTHERS)**
4. Wiring fixture to power supply, shall be performed by a **certified electrician**, and wired in a manner that complies with all local and national electrical codes, as well as the **manufacturer's wiring diagram**.
5. Proper replacement of a part removed for user maintenance.

#### SAVE THESE INSTRUCTIONS!

### WARNING

No user serviceable parts. Refer service to a qualified service technician. Read instructions prior to installing and/or operating this device. Installation should be performed by a licensed electrician/installer in accordance with local codes.

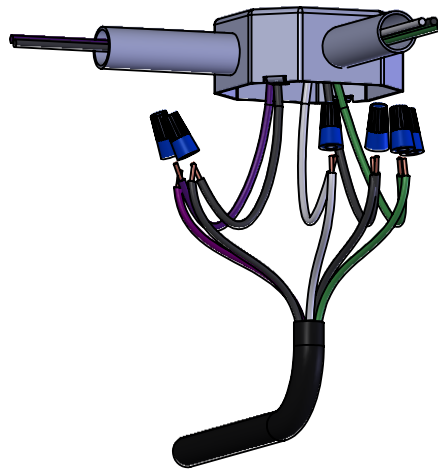


## DIMMING WIRING DIAGRAM

1. 0-10V dimming wires must be run from a different conduit out of the J-box.

### 0-10V LEAD / DALI

VIOLET.....(DIM +)  
GRAY.....(DIM -)



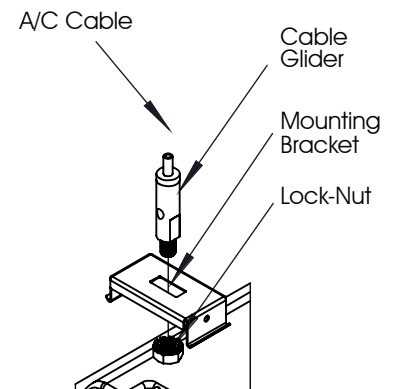
### AC LEADS

BLACK..... (HOT)  
WHITE.....(NEUTRAL)  
GREEN..... (GROUND)

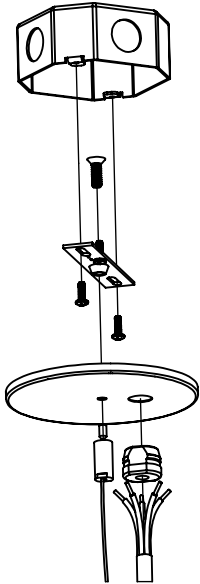
## A/C CABLE (AC)



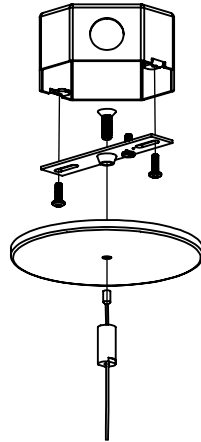
1. Attach cable glider to surface mounting clip using provided lock nut as shown.
2. Snap assembly onto mounting bracket on the housing.
3. Thread A/C Cable through the cable glider as shown.
4. Push top sleeve of cable glider to release lock and adjust level.



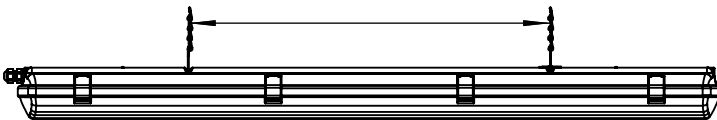
A/C Cable Canopy Assembly w/ Feed



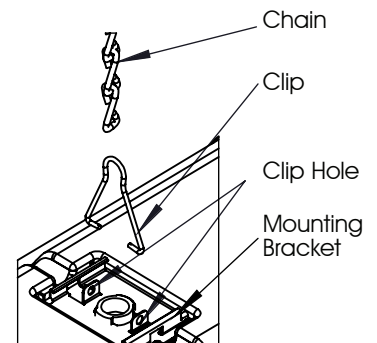
A/C Cable Canopy Assembly w/ Non Feed



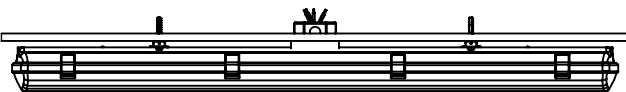
## CHAIN (CH)



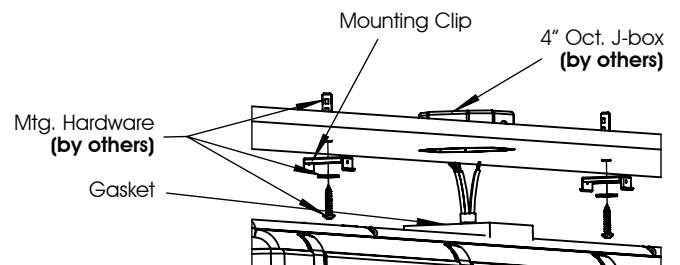
1. Insert the hook clip through the loop of the chain.
2. Attach hook clip onto the holes on the top of the mounting bracket above the housing as shown.



## JUNCTION MOUNT (JM)



1. Attach the Mounting Clips to the ceiling as shown.
2. Do the wire connections to the J-Box.
3. Snap the fixture onto the Mounting Clips on the wall/ceiling.

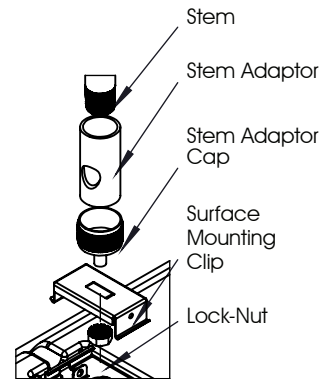




## PENDANT (DOUBLE) (DPK)

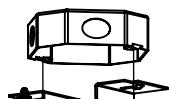
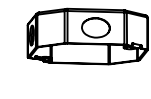


1. Attach the stem adaptor cap to the surface mounting clip using provided lock nut as shown.
2. Snap the assembly to the mounting bracket on the housing.
3. Attach stem adaptor & stem to the stem end cap.

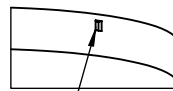
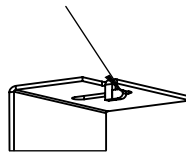


Pendant Canopy Assembly (fixed)

Pendant Canopy Assembly (Swivel)



Tab



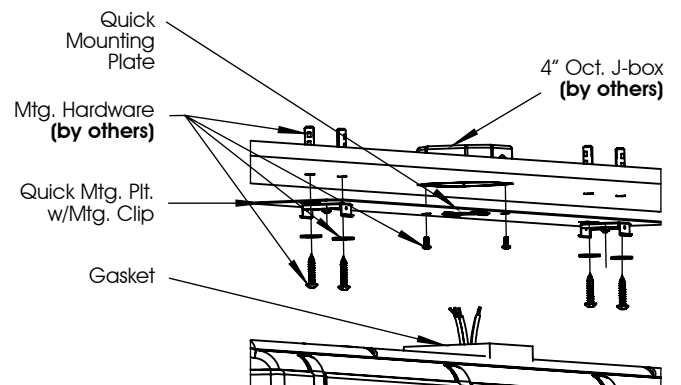
Slot

**NOTE:** Twist the canopy for the tab to engage with slotted hole on canopy.

## QUICK MOUNTING PLATE (QMP)



1. Attach the Quick Mounting Plate assembly to the J-box & ceiling as shown.
2. Do the wire connections to the J-Box.
3. Snap the fixture onto the Quick Mounting Plate assembly on the wall/ceiling.



## TRUNION (TM)



1. Attach the Surface Mounting Clips to Trunion Bracket as shown.
2. Attach the Trunion Bracket assembly to the ceiling.
3. Snap the fixture onto the Surface Mounting Clips.

