

---

## **INSTALLATION INSTRUCTIONS IMPORTANT SAFEGUARDS**

### **Read & Follow All Safety Instructions**

When using electrical equipment, basic safety precautions should always be followed including:

1. Disconnect power before performing work on electrical equipment.
2. Do not mount near gas or electric heaters.
3. Equipment should be mounted in locations and at heights where it will not be subjected to tampering.
4. The use of accessory equipment not recommended by Beghelli Inc., may cause an unsafe condition, and will void the unit's warranty.
5. Do not use this equipment for other than its intended purpose.
6. Servicing of this equipment should be performed by a qualified service personnel.
7. Suitable for non-insulated surface and frame. DO NOT cover fixture with insulation liner or similar material.
8. DO NOT install in unstable, loose or breakable surfaces.
9. DO NOT let objects impact or exert force on the surface of the fixture.
10. SAVE THESE INSTRUCTIONS!

Fixtures must be wired in accordance with National electrical code and all applicable local codes. Proper grounding is required for safety.

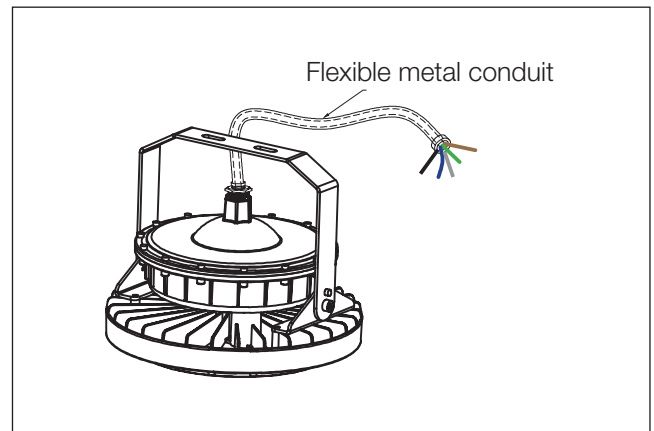
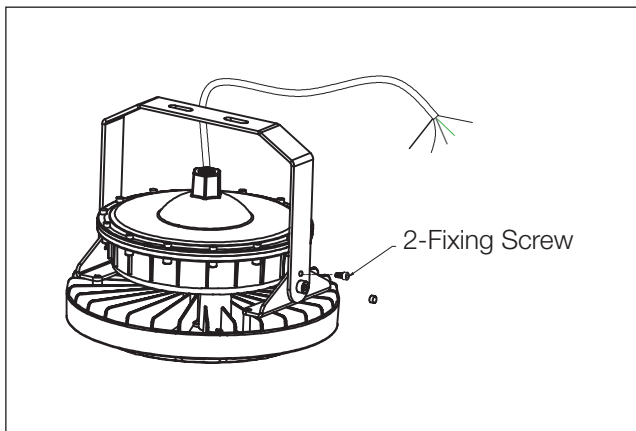
***This product must be installed in accordance with the applicable installation code by a qualified electrician who is familiar with the construction and operation of the product and the hazards involved.***

---

### INSTALLATION STEPS (Ceiling Mount)

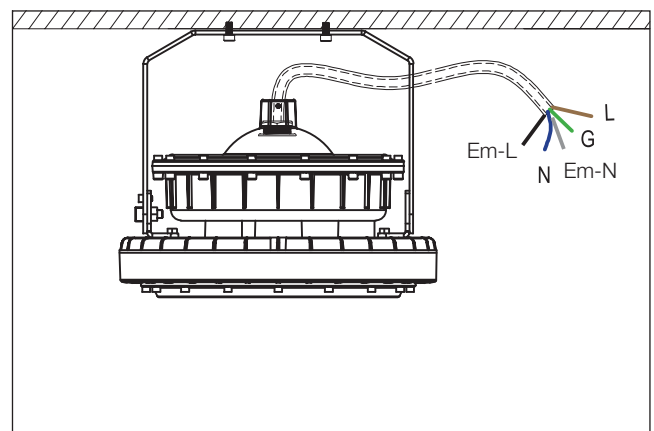
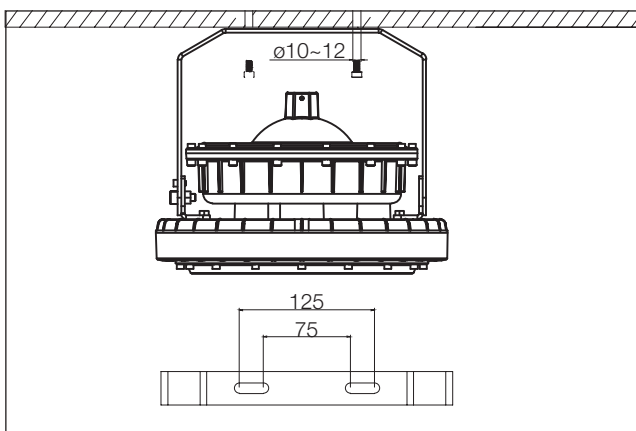


**⚠ WARNING**  
**Risk of fire, electric shock or personal injury**  
**Before installation, turn off power!**



1. Take the fixture and accessory out of packaging. Then tighten both angle holder screws as shown above.

2. Install the flexible metal conduit and tighten it to the fixture.



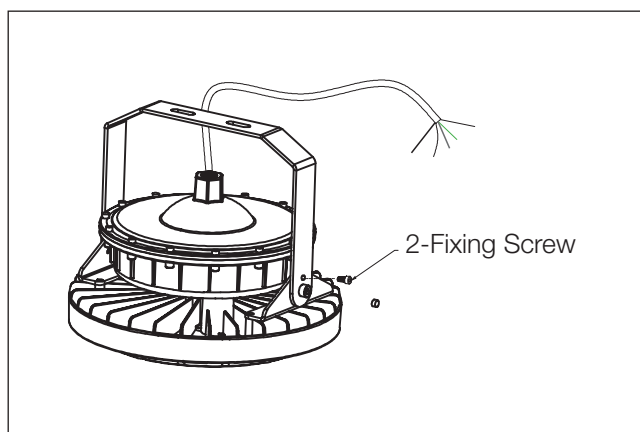
3. Drill two holes in ceiling (as shown above) at a 75~125mm distance apart. Use  $\phi 10\sim 12$  expansion screws to affix the bracket on the ceiling.

4. Connect the AC cable; emergency power (Em-L) to the black wire, emergency power (Em-N) to the white wire, L to the brown wire, N to the blue wire, grounding to the green wire.

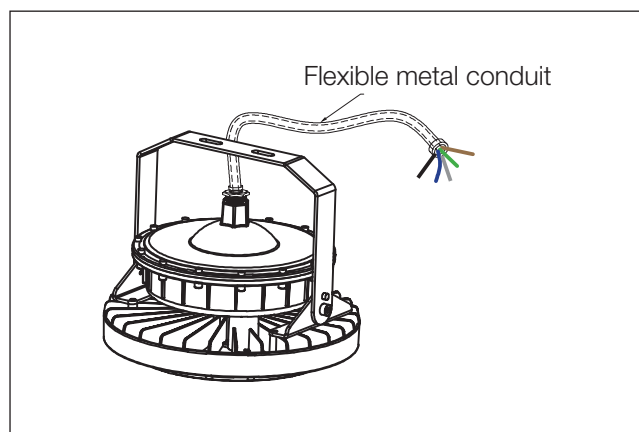
### INSTALLATION STEPS (Wall Mount)



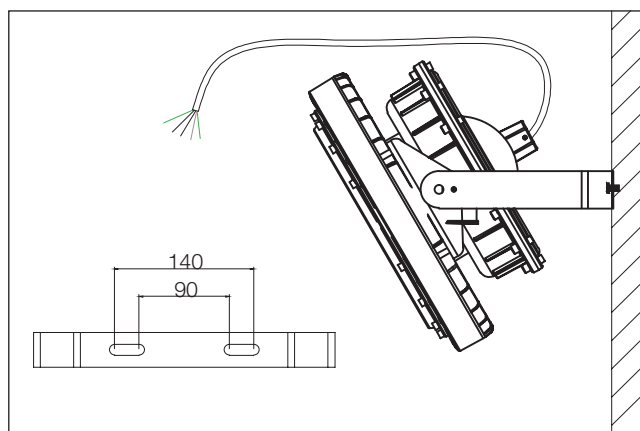
**⚠ WARNING**  
**Risk of fire, electric shock or personal injury**  
**Before installation, turn off power!**



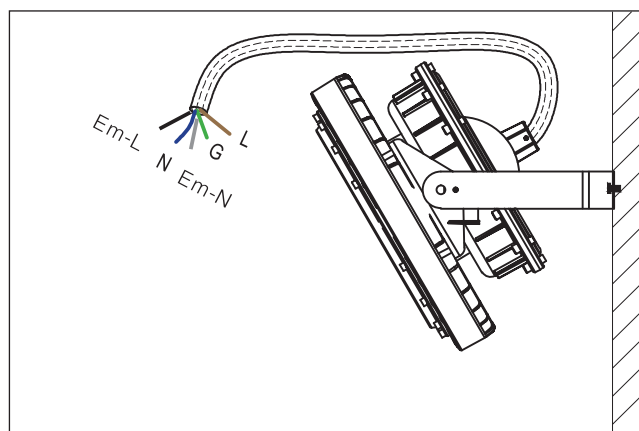
1. Take the fixture and accessory out of packaging. Then tighten both angle holder screws as shown above.



2. Install the flexible metal conduit and tighten it to the fixture.



3. Drill two holes in surface (as shown above) at a 91~140mm distance apart. Use  $\varnothing 10$  expansion screws to affix the bracket on the surface.

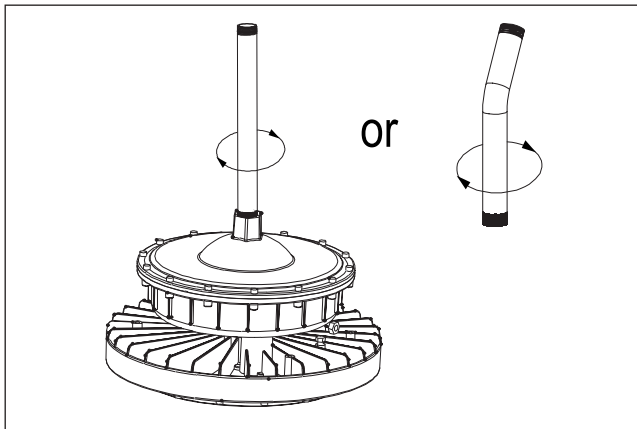


4. Connect the AC cable; emergency power (Em-L) to the black wire, emergency power (Em-N) to the white wire, L to the brown wire, N to the blue wire, grounding to the green wire.

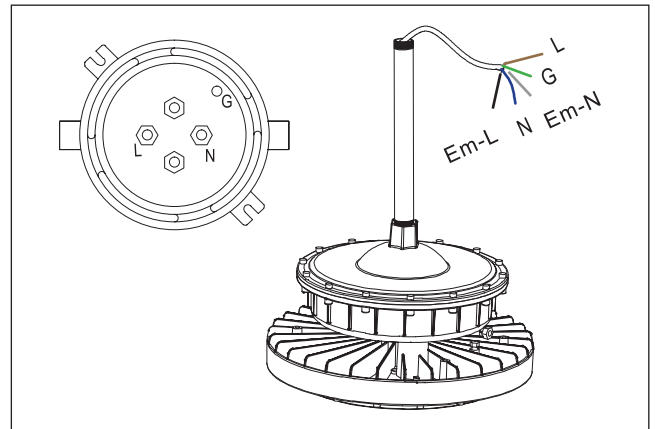
### INSTALLATION STEPS (Pendant Mount)



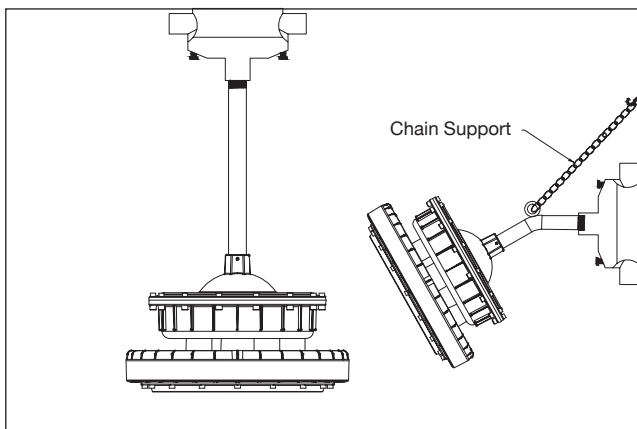
**⚠ WARNING**  
**Risk of fire, electric shock or personal injury**  
**Before installation, turn off power!**



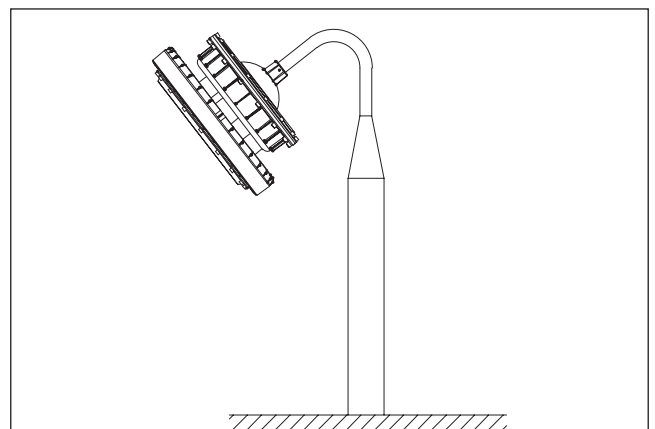
1. Take the fixture and pole accessory out of packaging. Then screw pole into luminaire as shown above.



2. Connect the AC cable; black cable to Em-L, white cable to Em-N, brown cable to L, blue cable to N, and green cable to grounding.



3. Install the mounting box to the wall or ceiling as shown above. Screw the pole into the mounting box and adjust the chain support as needed.



4. OR, install luminaire to standing pole after connecting the AC cable.