

LEDLUMINA™ BS400LED

INSTALLATION INSTRUCTIONS



Beghelli Canada
3900 14th Avenue
Markham, Ontario L3R 4R3 Canada
P: (905) 948-9500
F: (905) 948-8673
www.BeghelliCanada.com



Beghelli USA
3250 Corporate Way
Miramar, Florida 33025 USA
P: 800 726 4316 / P: 954 442 6600 F:
954 442 6677
www.BeghelliUSA.com



Beghelli Mexico
Av. Del Marqués No. 70, Int. 4
Parque Industrial Bernardo Quintana
C.P. 76246 El Marqués, Qro.
P: +52 442-221-6439 / F: +52 442-221-6215
www.BeghelliMexico.com

LEDLUMINA™ BS400



IP66

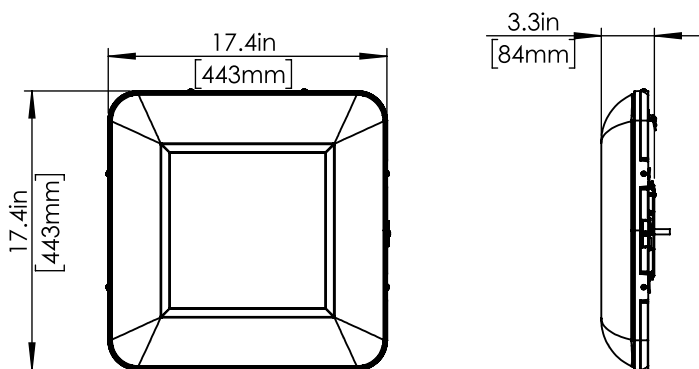


TITLE 24

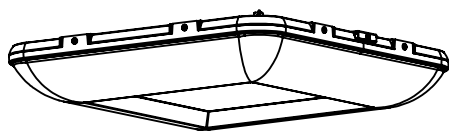
LOGICA

Beghelli
LUCE

MODEL INFORMATION



BS400 LO/MO/HO	
WATTAGE	30W/45W/60W
VOLTAGE	120-277V 50/50Hz, 347V & 480V
WET LOCATION	YES
OPERATION	HT (AC ONLY)/0-10V DIMMING
WEIGHT	1.4 lbs
DIMENSION	17.4" L X 17.4" W X 3.3" H



CAUTION! ALWAYS MAKE SURE THE POWER IS TURNED OFF before starting installation.

IMPORTANT SAFEGUARDS

When using electrical equipment, basic safety precautions should always be followed including the following:

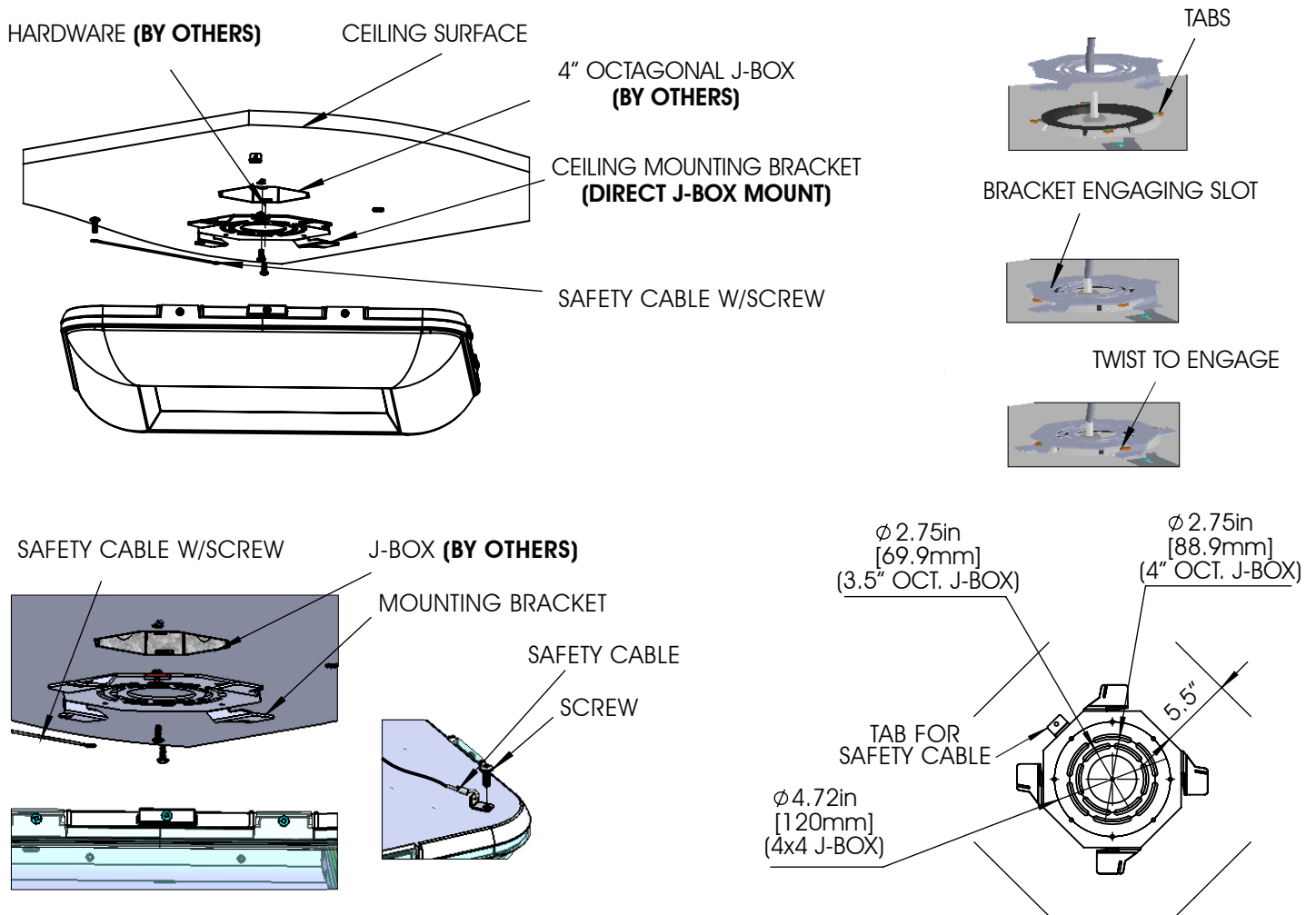
READ AND FOLLOW ALL SAFETY INSTRUCTIONS.

1. **CAUTION! ALWAYS MAKE SURE THE POWER IS TURNED OFF** before starting installation.
2. Measure, locate fixture's position, and mark locations for the brackets.
3. Secure brackets to ceiling as shown below. **(HARDWARE BY OTHERS)**
4. Wiring fixture to power supply, shall be performed by a **certified electrician**, and wired in a manner that complies with all local and national electrical codes, as well as the **manufacturer's wiring diagram**.

SAVE THESE INSTRUCTIONS!

WARNING ⚠

No user serviceable parts. Refer service to a qualified service technician. Read instructions prior to installing and/or operating this device. Installation should be performed by a licensed electrician/installer in accordance with local codes.



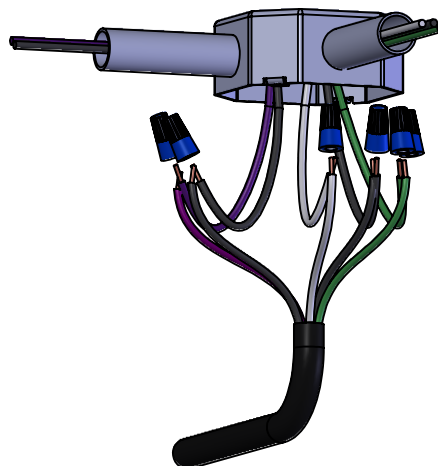
HINT: For ease of engaging the fixture to the mounting bracket, it is recommended to draw temporary lines parallel to the straight edges of the bracket (as shown above), use those line to line up your fixture before you twist and lock the fixture onto the bracket.

DIMMING WIRING DIAGRAM

1. 0-10V dimming wires must be run from a different conduit out of the J-box.

0-10V LEAD / DALI

VIOLET.....(DIM +)
GRAY.....(DIM -)

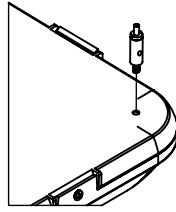


AC LEADS

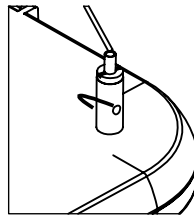
BLACK..... (HOT)
WHITE.....(NEUTRAL)
GREEN..... (GROUND)

A/C CABLE (AC)

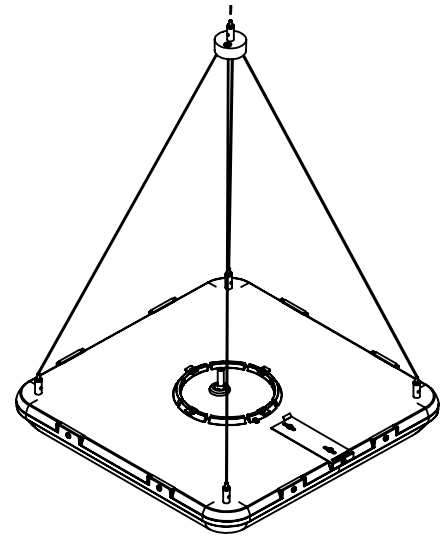
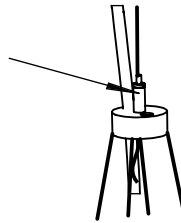
1. Install the cable glider as shown.



2. Feed the cable through the cable glider. **(using these cable gliders for leveling the fixture) (push top of sleeve of cable glider to release lock and adjust cable).**



3. Adjusting height of fixture using this glider **(using these cable gliders for leveling the fixture) (Push top of sleeve of cable glider to release lock and adjust cable).**

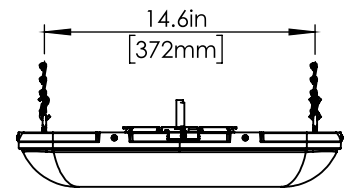
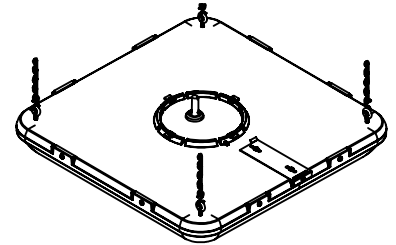
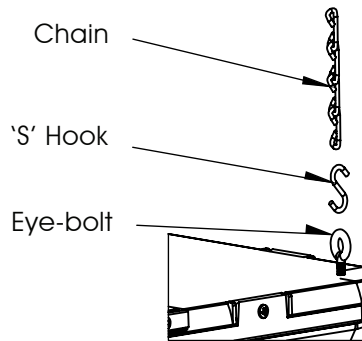


CHAIN HANG KIT (CH)

1. Install the eye-bolts into the housing as shown.

2. Hook the chain and the eye-bolt together using provided "S" hook.

3. Close all "S" hooks.



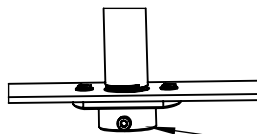
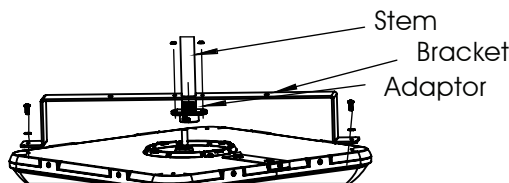
PENDANT KIT (PK)

1. Attach the bracket to fixture as shown.

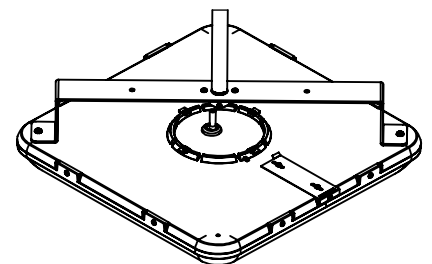
2. Attach stem adaptor to bracket.

3. Install stem through bracket & to adaptor.

4. Install screw to secure the stem.

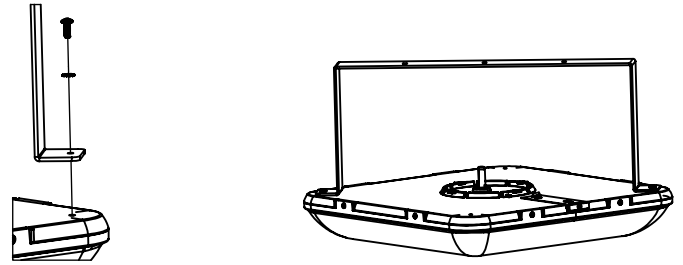


Feed power core through stem



TRUNNION MOUNT (TM)

1. Attached the bracket to fixture as shown.



2. Attach assembly to ceiling as shown **(hardware by others)**.
(Canopy kit sold seperately).

