

# BOXLED® MINI

## BL716LED

### INSTALLATION INSTRUCTIONS



Beghelli USA  
3810 Executive Way  
Miramar, Florida 33025 USA  
P: 800 726 4316 / P: 954 442 6600 F:  
954 442 6677  
[www.BeghelliUSA.com](http://www.BeghelliUSA.com)

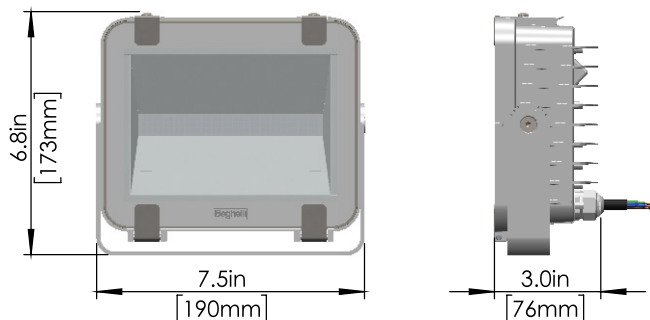


Beghelli Mexico  
Av. Del Marqués No. 70, Int. 4  
Parque Industrial Bernardo Quintana  
C.P. 76246 El Marqués, Qro.  
P: +52 442-221-6439 / F: +52 442-221-6215  
[www.BeghelliMexico.com](http://www.BeghelliMexico.com)

## BOXLED® MINI BL716LED



### MODEL INFORMATION



BOXLED®MINI (BL716) LED LO/MO/HO	
<b>WATTAGE</b>	20W/30W/40W
<b>VOLTAGE</b>	120-277V ; 50/60Hz
<b>WET LOCATION</b>	YES
<b>OPERATION</b>	HT (AC ONLY)/0-10V DIMMING
<b>AMBIENT TEMPERATURE</b>	-30°C(-22°F)/40°C(104°F)
<b>WEIGHT</b>	2.6 lbs
<b>DIMENSION</b>	7.5" L X 6.8" W X 3" H

### IMPORTANT SAFEGUARDS

When using electrical equipment, basic safety precautions should always be followed including the following:

#### READ AND FOLLOW ALL SAFETY INSTRUCTIONS.

1. **CAUTION! ALWAYS MAKE SURE THE POWER IS TURNED OFF** before starting installation.
2. Wiring fixture to power supply, shall be performed by a **certified electrician**, and wired in a manner that complies with all local and national electrical codes, as well as the **manufacture's wiring diagram**.

#### SAVE THESE INSTRUCTIONS!

#### WARNING ⚠

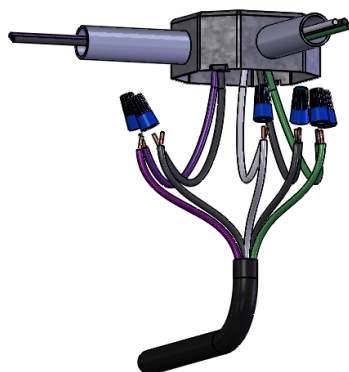
No user serviceable parts. Refer service to a qualified service technician. Read instructions prior to installing and/or operating this device. Installation should be performed by a licensed electrician/installer in accordance with local codes.

### DIMMING WIRING DIAGRAM

1. 0-10V dimming wires must be run from a different conduit out of the J-box.

#### 0-10V LEAD / DALI

VIOLET.....(DIM +)  
GRAY.....(DIM -)



#### AC LEADS

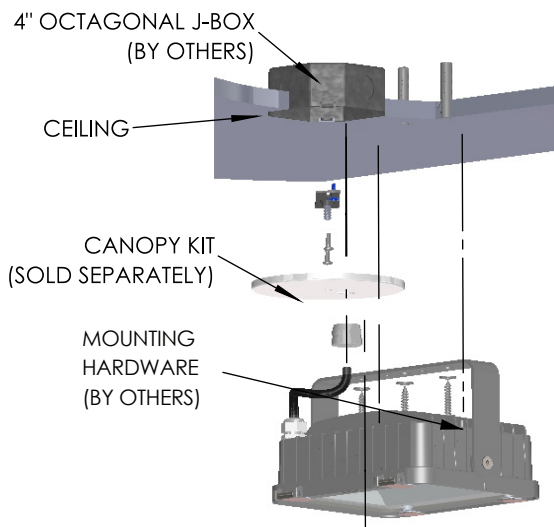
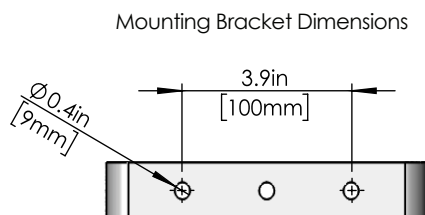
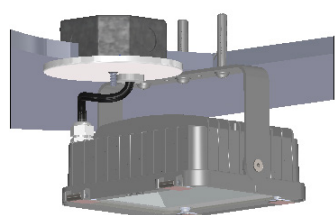
BLACK..... (HOT)  
WHITE.....(NEUTRAL)  
GREEN..... (GROUND)

#### NOTE:

- For non-dimming, 3-conductor cord available (**upon request**).

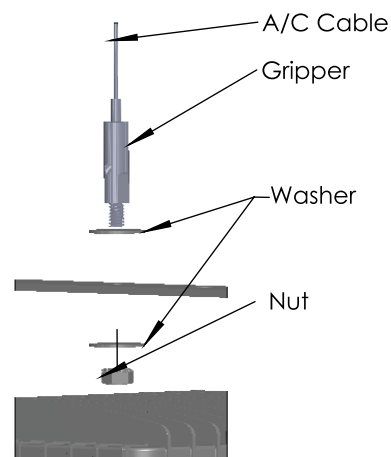
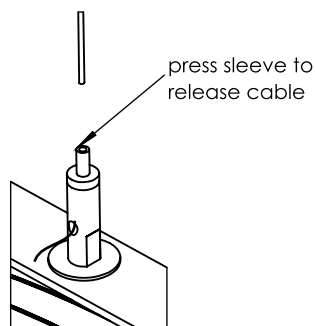
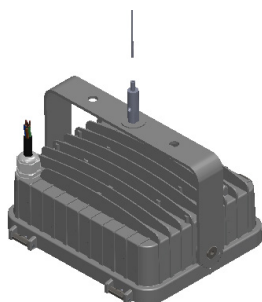
## SURFACE MOUNT (SM) (STANDARD INSTALLATION)

1. Locate, mark, & install anchors for mounting bracket.
2. Install the fixture as shown (**hardware by others**).



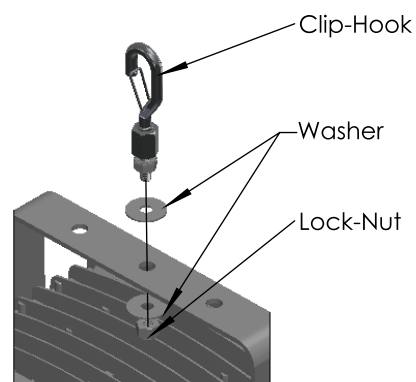
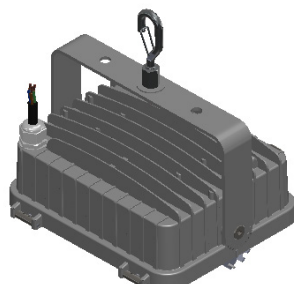
## AVIATION CABLE (AC)

1. Attach the glider on the bracket using washer & screw as shown.
2. Feed the cable through glider by pressing sleeve to release lock.



## HOOK/CHAIN MOUNT (HK & CH)

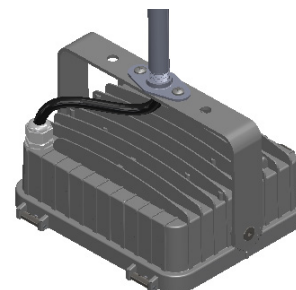
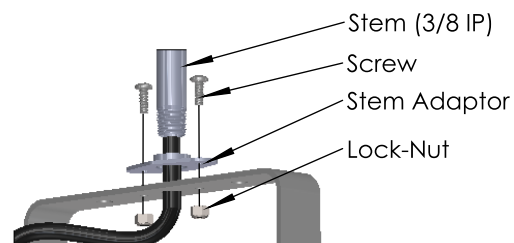
1. Attach the clip-hook on the bracket using washers & lock-nut as shown.



## PENDANT KIT (PK)

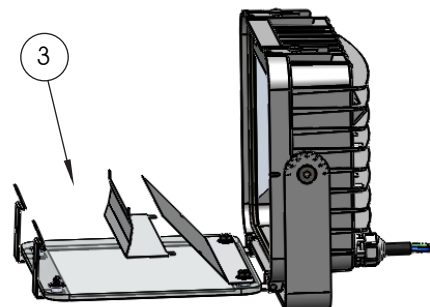
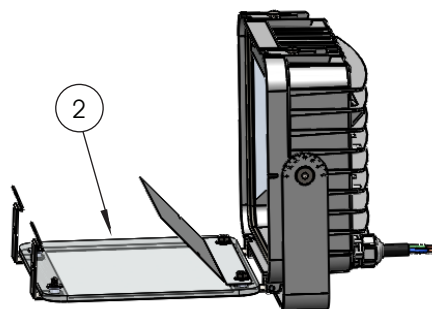
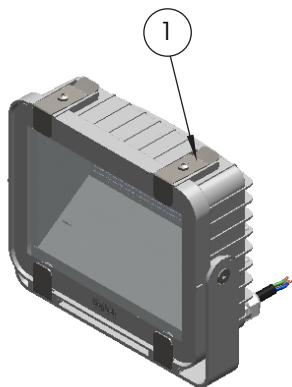
1. Adjust bracket angle by loosening the nut.
2. Re-tightened once the angle is set.
3. Attach stem adaptor to bracket using screws & lock-nuts as shown.
4. Attach stem to the assembly as shown.
5. Pass power cord through assembly and stem.

ADJUSTING BRACKET

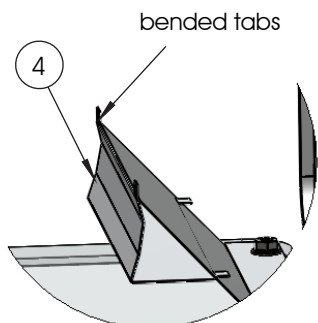


## CONVERTING FROM SYMMETRIC TO ASYMMETRIC

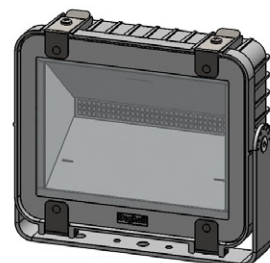
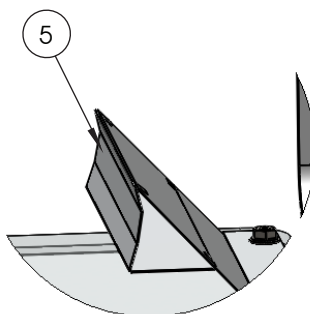
1. Remove the screws & lift the tabs.
2. Open the lens to install the asymmetric reflector.
3. Position the asymmetric reflector as shown.



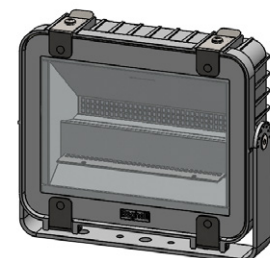
4. Insert the tabs through the slots on the symmetric reflector.



5. Bend tabs to complete installation of asymmetric reflector.



Symmetric



Asymmetric