

BOXLED® MIDI

BL726LED

INSTALLATION INSTRUCTIONS



Beghelli
LUCE.

Beghelli USA
3810 Executive Way
Miramar, Florida 33025 USA
P: 800 726 4316 / P: 954 442 6600 F:
954 442 6677
www.BeghelliUSA.com

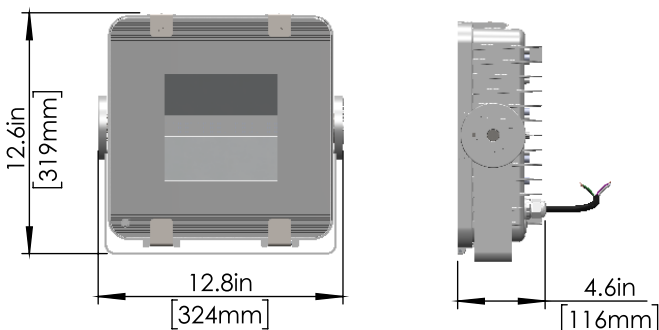
Beghelli
LUCE.

Beghelli Mexico
Av. Del Marqués No. 70, Int. 4
Parque Industrial Bernardo Quintana
C.P. 76246 El Marqués, Qro.
P: +52 442-221-6439 / F: +52 442-221-6215
www.BeghelliMexico.com

BOXLED® MIDI BL726LED



MODEL INFORMATION



BOXLED®MIDI (BL726) LED LO/MO/HO	
WATTAGE	50W/70W/90W
VOLTAGE	120-277V/347V/480V ; 50/60Hz
WET LOCATION	YES
OPERATION	HT (AC ONLY)/0-10V DIMMING
AMBIENT TEMPERATURE	-30°C(-22°F)/40°C(104°F)
WEIGHT	8.8 lbs
DIMENSION	12.8" L X 12.6" W X 4.6" H

IMPORTANT SAFEGUARDS

When using electrical equipment, basic safety precautions should always be followed including the following:

READ AND FOLLOW ALL SAFETY INSTRUCTIONS.

1. **CAUTION! ALWAYS MAKE SURE THE POWER IS TURNED OFF** before starting installation.
2. Wiring fixture to power supply, shall be performed by a **certified electrician**, and wired in a manner that complies with all local and national electrical codes, as well as the **manufacture's wiring diagram**.

SAVE THESE INSTRUCTIONS!

WARNING ⚠

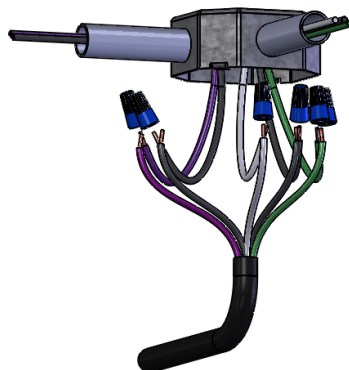
No user serviceable parts. Refer service to a qualified service technician. Read instructions prior to installing and/or operating this device. Installation should be performed by a licensed electrician/installer in accordance with local codes.

DIMMING WIRING DIAGRAM

1. 0-10V dimming wires must be run from a different conduit out of the J-box.

0-10V LEAD / DALI

VIOLET.....(DIM +)
GRAY.....(DIM -)

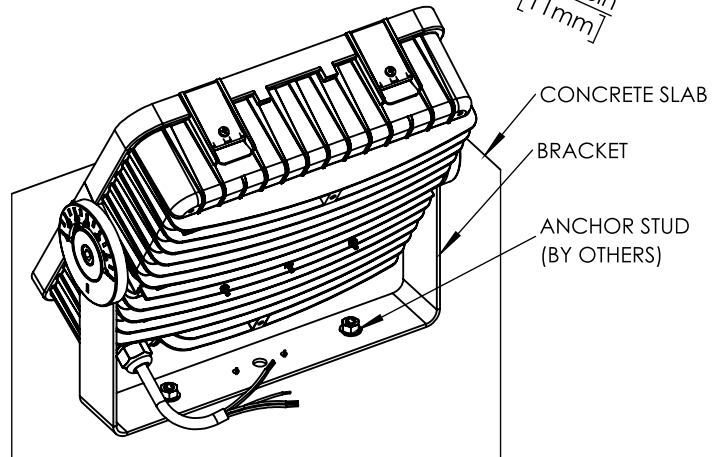
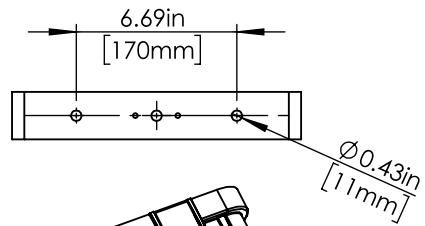


AC LEADS

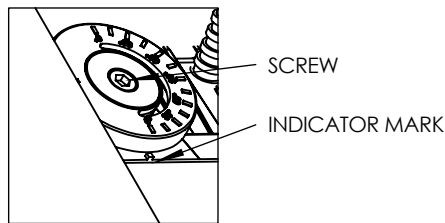
BLACK..... (HOT)
WHITE.....(NEUTRAL)
GREEN..... (GROUND)

FLOOD MOUNT (FM) (STANDARD INSTALLTION)

1. Install the fixture to designated location, use dimensions as shown to the right for bolt's location.
2. Use typical anchor bolts similar to the recommended in size and length. Install anchor bolts according to the anchor bolts installation instruction.
3. Loosen the screw to adjust the angle. Retighten once the angle is set.

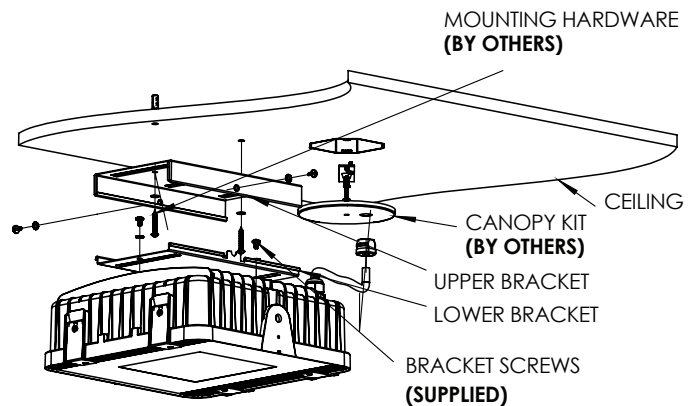
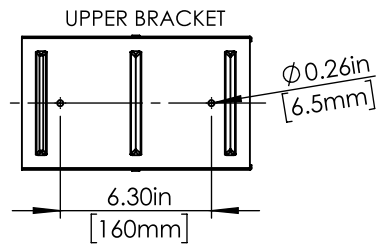
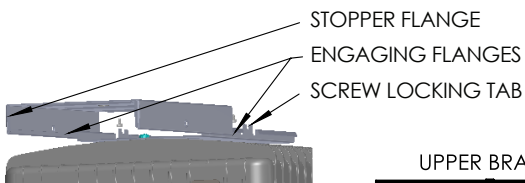


3/8 X 2-1/4"L
(Recommended)



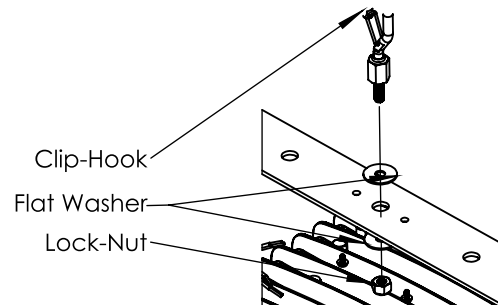
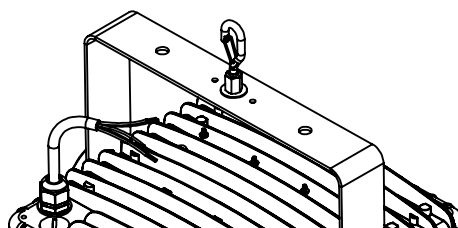
SURFACE MOUNT (SM)

1. Install the fixture to designated location (refer to upper bracket dimensions).



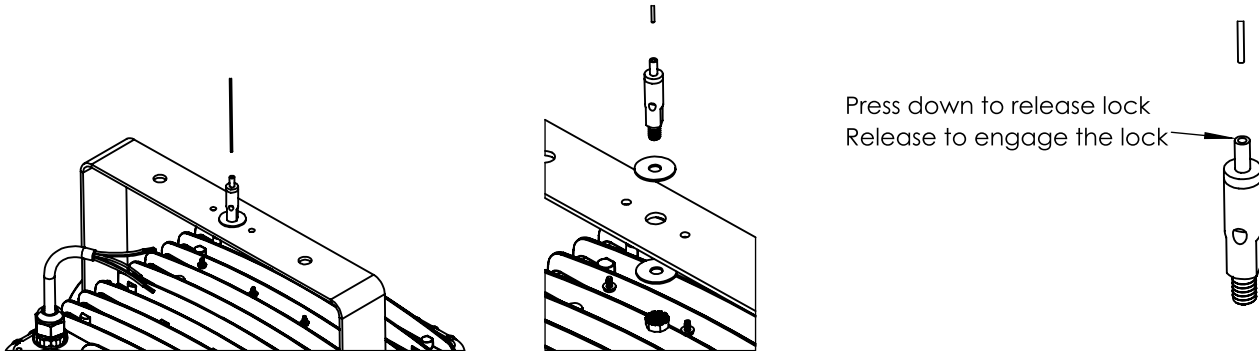
HOOK MOUNT (HK)

1. Attach the clip-hook to the bracket as shown.



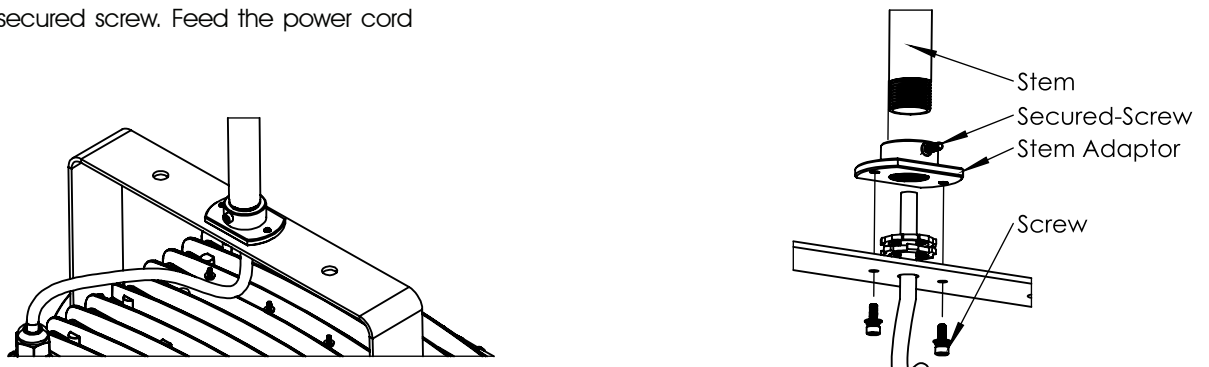
AVIATION CABLE (AC)

1. Attach cable gripper to the bracket as shown.



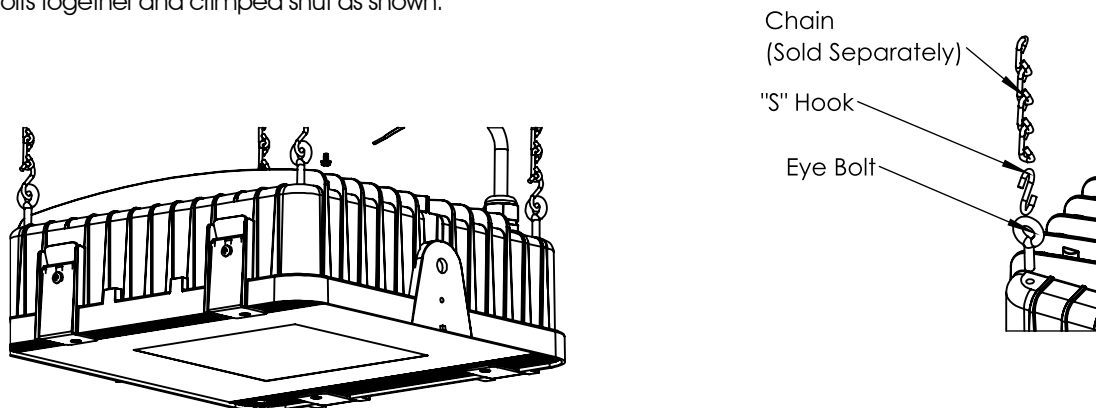
PENDANT KIT (PK)

1. Attach adaptor to bracket. Then attach stem to adaptor and secure with secured screw. Feed the power cord through the stem.



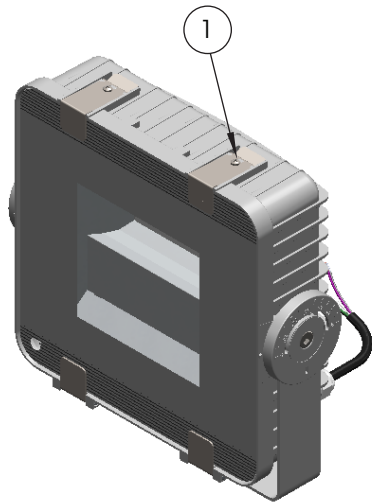
CHAIN HANG KIT (CH)

1. Attach the eye bolts to the fixture as shown. Hook the chains & eye bolts together and crimped shut as shown.



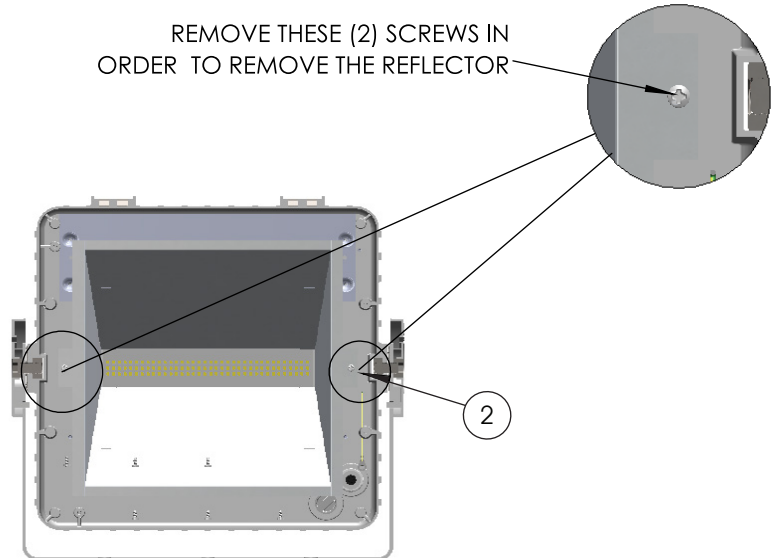
CONVERTING FROM SYMMETRIC TO ASYMMETRIC

1. Remove the screws and lift the tabs to open the glass lens.

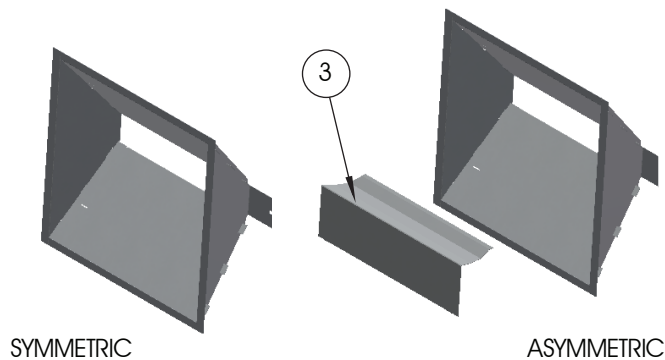


2. Unscrew to remove the reflector.

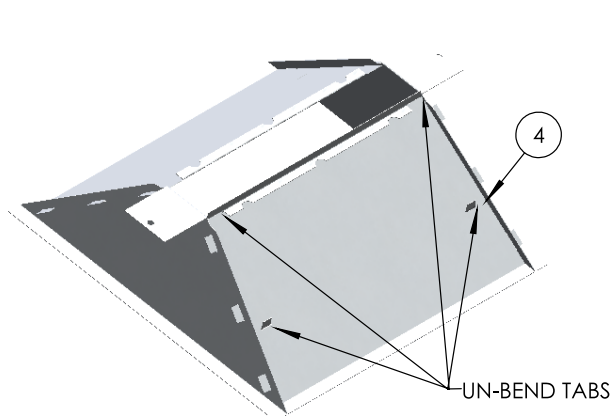
REMOVE THESE (2) SCREWS IN ORDER TO REMOVE THE REFLECTOR



3. Position the Asymmetric Reflector as shown.



4. Insert the tabs thru the slots on the symmetric reflector.



5. Bend the tabs, installation for asymmetric reflector is completed.

