

BOXLED® MIDI

BL726

INSTALLATION INSTRUCTIONS (EM)



Beghelli
LUCE.

Beghelli USA
3810 Executive Way
Miramar, Florida 33025 USA
P: 800 726 4316 / P: 954 442 6600 F:
954 442 6677
www.BeghelliUSA.com

Beghelli
LUCE.

Beghelli Mexico
Av. Del Marqués No. 70, Int. 4
Parque Industrial Bernardo Quintana
C.P. 76246 El Marqués, Qro.
P: +52 442-221-6439 / F: +52 442-221-6215
www.BeghelliMexico.com

BOXLED® MIDI BL726



**TITLE
24**

3G
Vibration
Rated

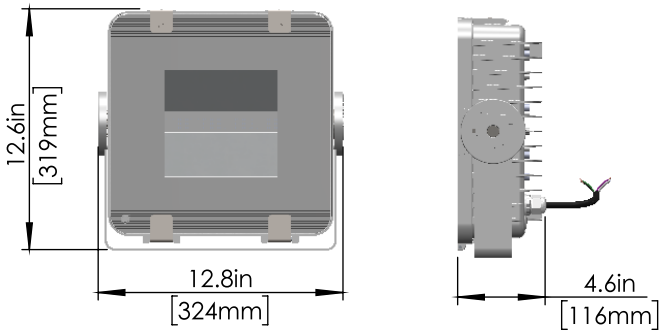
IP66 IK09 NEMA 4x

SANITATION

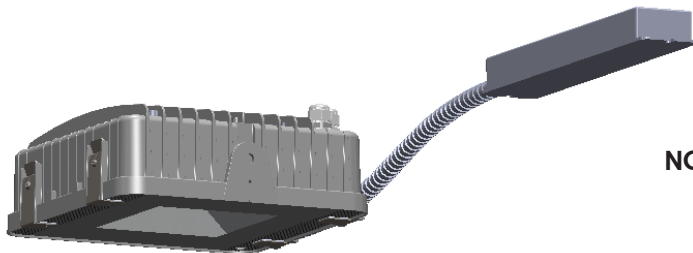
LOGICA

**Beghelli
LUCE.**

MODEL INFORMATION



BOXLED® MIDI (BL726) LED LO/MO/HO (EM)	
WATTAGE	50W/70W/90W
VOLTAGE	120-277V ; 50/60Hz
WET LOCATION	YES
OPERATION	AC & EM/0-10V DIMMING
AMBIENT TEMPERATURE	-30°C(-22°F)/40°C(104°F)
WEIGHT	8.8 lbs
DIMENSION	12.8" L X 12.6" W X 4.6" H



NOTE: FOR WET LOCATION, EMERGENCY DRIVER SHALL BE INSTALLED IN A NEMA BOX (EMERGENCY DRIVER SIZE 19.19" X 2.63" X 1.48"); ALL OTHER FITTINGS, CONDUITS & J-BOXES SHALL BE LIQUID-TIGHT OR WET LOCATION TYPES (**BY OTHERS**).

IMPORTANT SAFEGUARDS

When using electrical equipment, basic safety precautions should always be followed including the following:

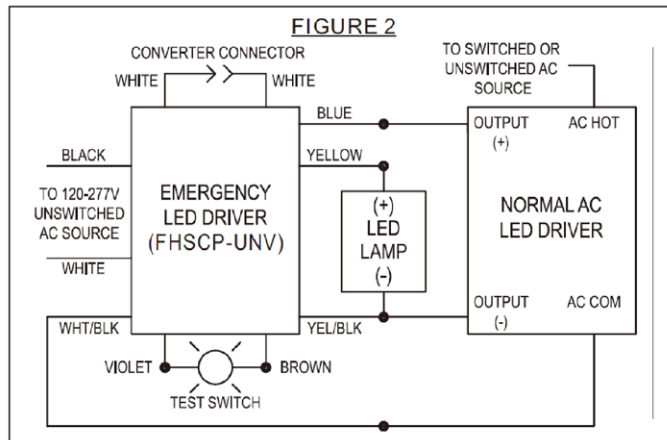
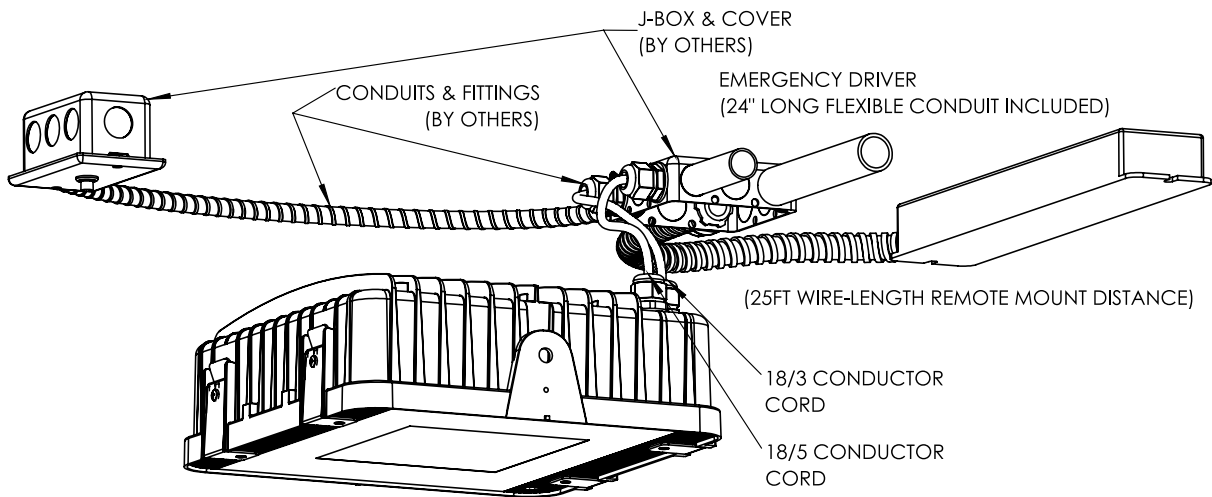
READ AND FOLLOW ALL SAFETY INSTRUCTIONS.

1. **CAUTION! ALWAYS MAKE SURE THE POWER IS TURNED OFF** before starting installation.
2. Measure, locate fixture's position, and mark locations for the brackets.
3. Bracket to ceiling as shown below (HARDWARE BY OTHERS)
4. Wiring fixture to power supply, shall be performed by a certified electrician, and wired in a manner that complies with all local and national electrical codes, as well as the manufacturer's wiring diagram.

SAVE THESE INSTRUCTIONS!

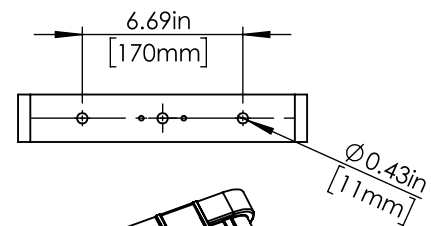
WARNING ⚠

No user serviceable parts. Refer service to a qualified service technician. Read instructions prior to installing and/or operating this device. Installation should be performed by a licensed electrician/installer in accordance with local codes.

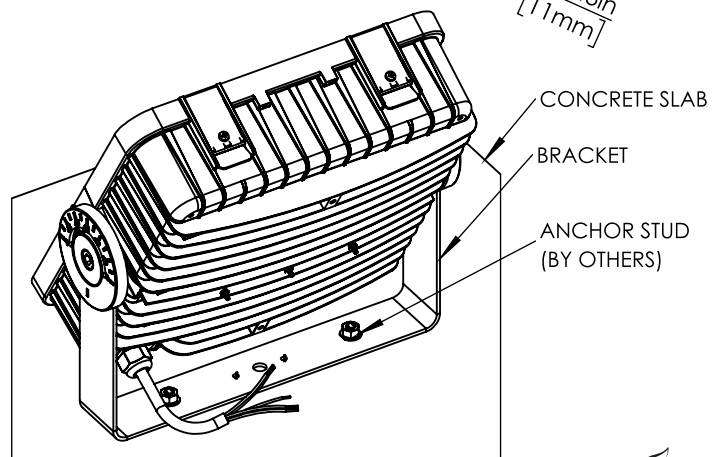
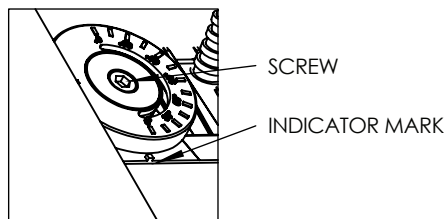


FLOOD MOUNT (FM) (STANDARD INSTALLTION)

1. Install the fixture to designated location, use dimensions as shown to the right for bolt's location.
2. Loosen the screw to adjust the angle. Retighten once the angle is set.

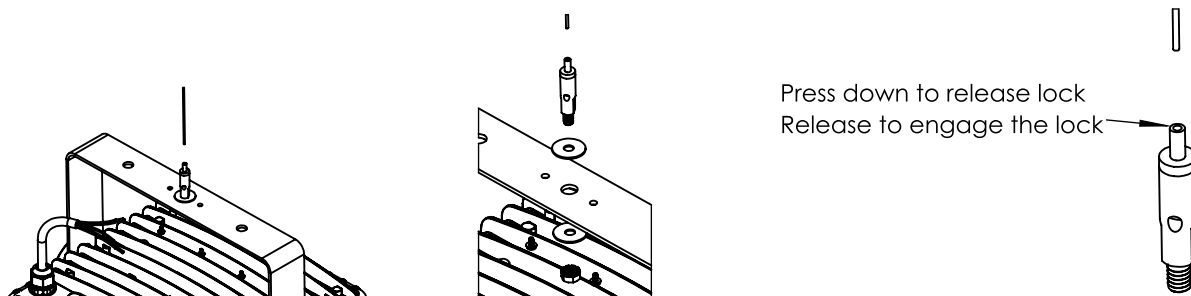


3/8 X 2-1/4" L
(Recommended)



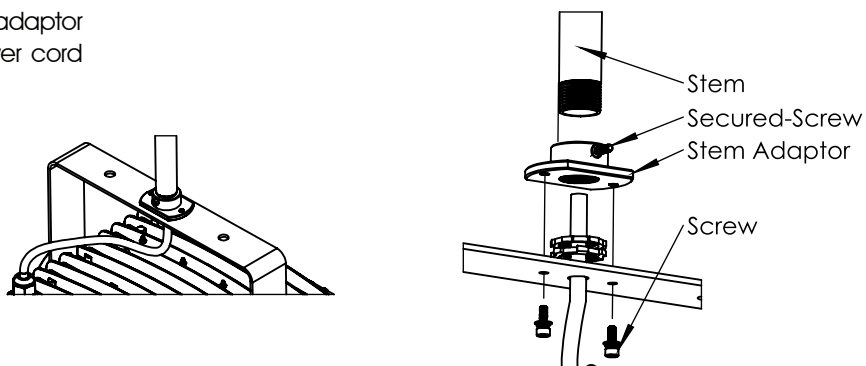
AVIATION CABLE (AC)

1. Attach cable gripper to the bracket as shown.



PENDANT KIT (PK)

1. Attach adaptor to bracket. Then attach stem to adaptor and secure with secured screw. Feed the power cord through the stem.



CHAIN HANG KIT (CH)

1. Attach the eye bolts to the fixture as shown. Hook the chains & eye bolts together and crimped shut as shown.

