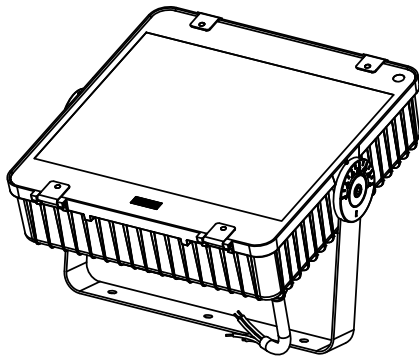
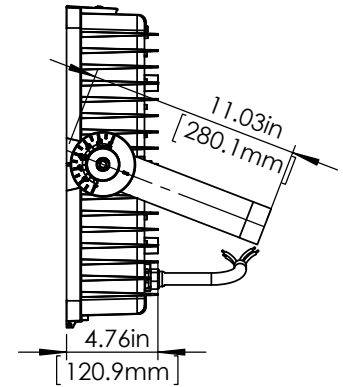
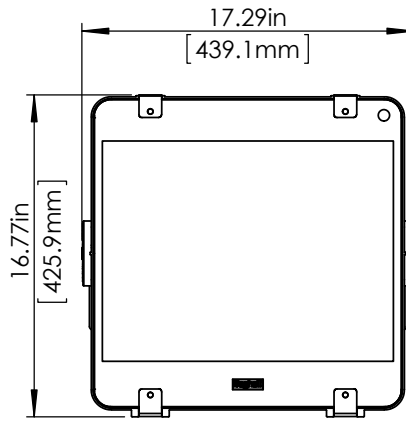
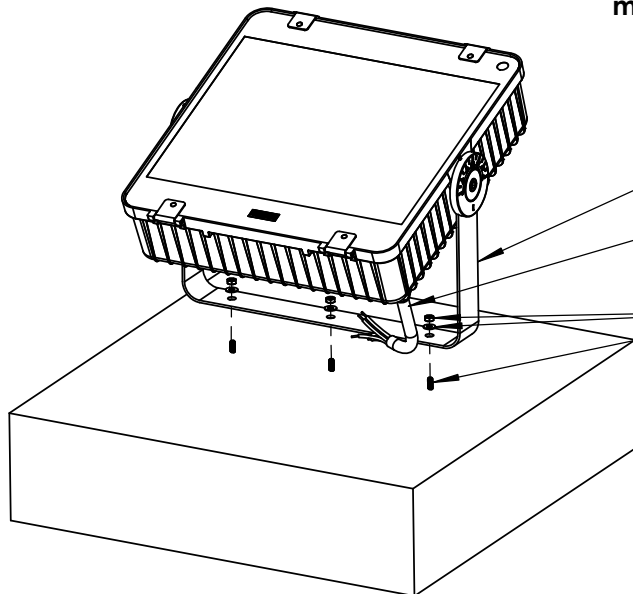


MOUNTING INSTRUCTIONS

BOXLED FLOOD	
WATTAGE	150W/230W
VOLTAGE	120-277V; 347 AND 480V
WET LOCATION	IP66
OPERATION	HT (AC ONLY)/0-10V DIMMING
WEIGHT	17 lbs
DIMMENSION	16.8" L X 16.3" W X 6.3" H



- CAUTIONS ! ALWAYS MAKE SURE THE POWER IS TURNED OFF** before starting the installation
- Measure, locate fixture's position, and mark locations for the brackets.
- Secure brackets to ceiling as shown below. (HARDWARE BY OTHERS)
- Wiring fixture to power supply, shall be performed by a **certified electrician**, and wired in a manner that complies with all **local and national electrical codes**, as well as the **manufacturer's wiring diagram**.



MOUNTING BRACKET

PROVIDE WITH 18/3 OR 18/5 POWER CORD; 72' L

MOUNTING HARDWARE (BY OTHERS)

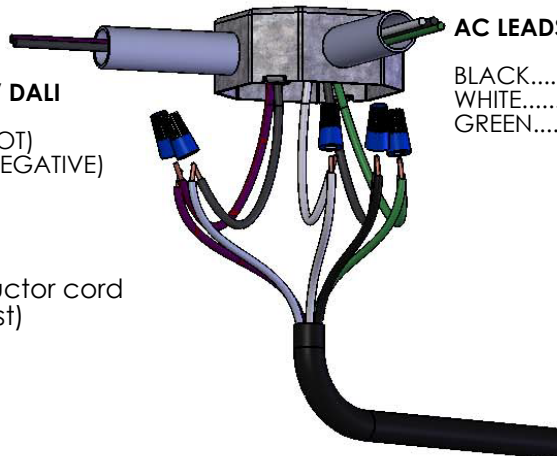
- 0-10V DIMMING WIRES MUST BE RUN FROM A DIFFERENT CONDUIT OUT OF THE J-BOX

0-10V LEAD / DALI

VIOLET.....(HOT)
GRAY.....(NEGATIVE)

AC LEADS

BLACK..... (HOT)
WHITE.....(NEUTRAL)
GREEN..... (GROUND)



NOTE:

- For non-dimming 3-conductor cord are available (upon request)

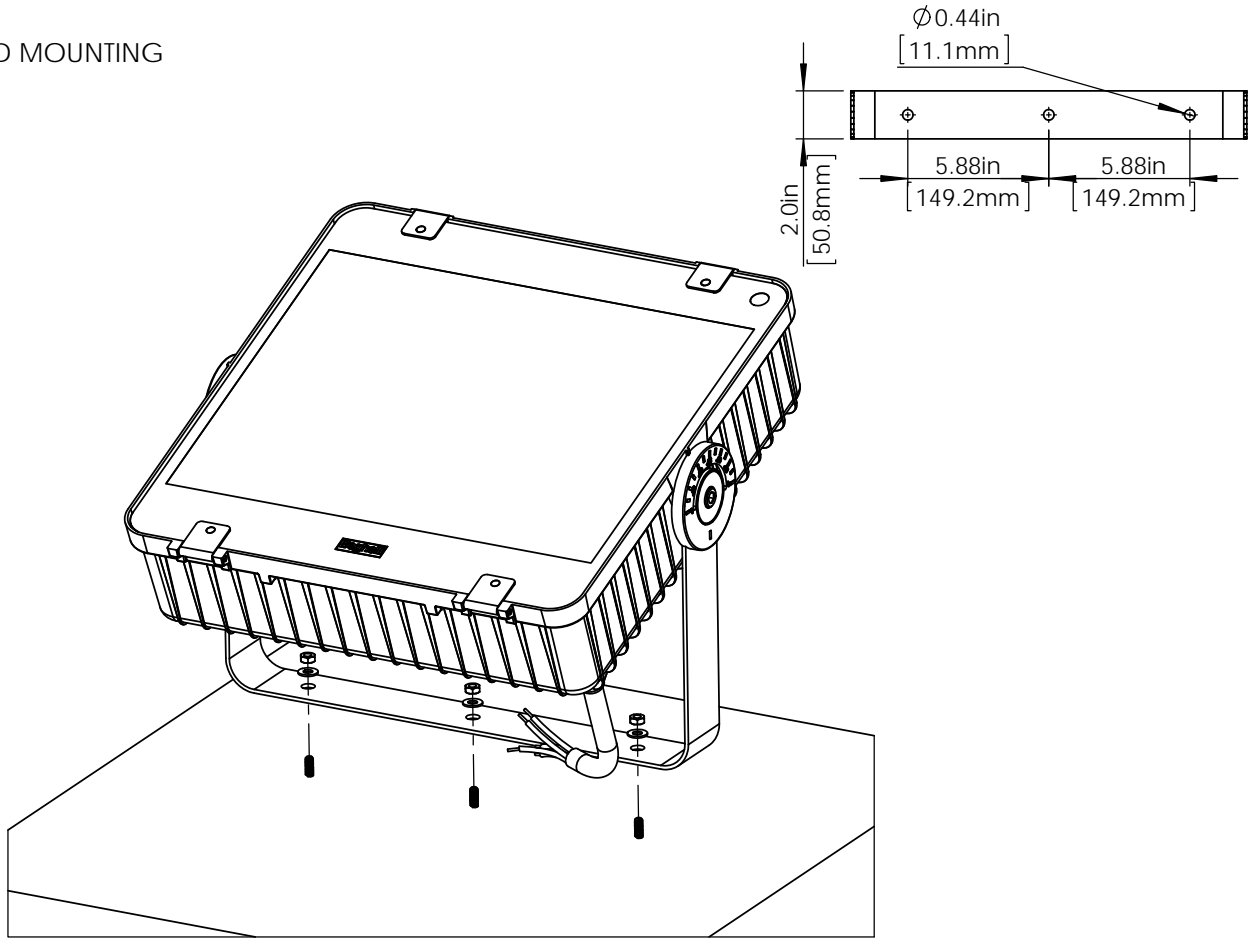
Beghelli

3810 Executive Way - Miramar, Florida 33025, USA

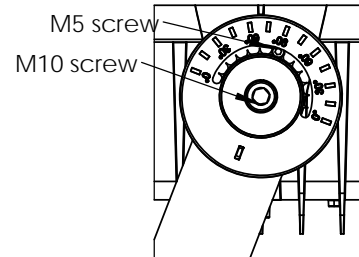
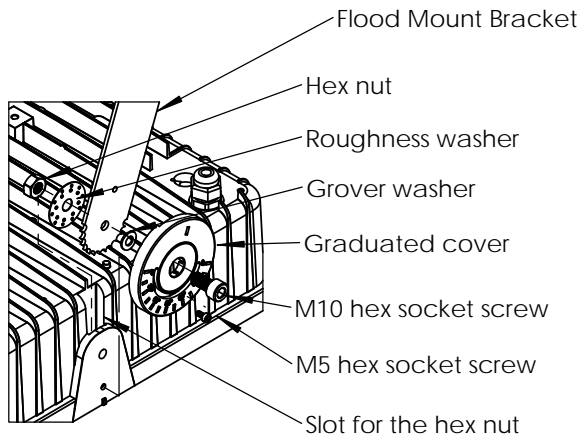
Phone: (954) 442-6600
Toll Free: 1 (800) 726-4316
Fax: (954) 442-6677

MOUNTING INSTRUCTIONS

FLOOD MOUNTING



1. Attach bracket to housing using hardware as shown.
 - a. drop the Hex nut into slot on the side of housing
 - b. Roughness Washer shall be located between the Housing and the Bracket
 - c. M10 screw shall go thru Graduated Cover and Grover Washer
2. Install fixture onto concrete pad/slap as shown above. (mounting hardware by others)
3. Loosening screw M10 to adjust the angle of aiming.
4. Re-tightened the M10 screw and lock the position up with M5 screw.



3250 Corporate Way - Unit A, Miramar, Florida 33025, USA

Phone: (954) 442-6600
 Toll Free: 1 (800) 726-4316
 Fax: (954) 442-6677