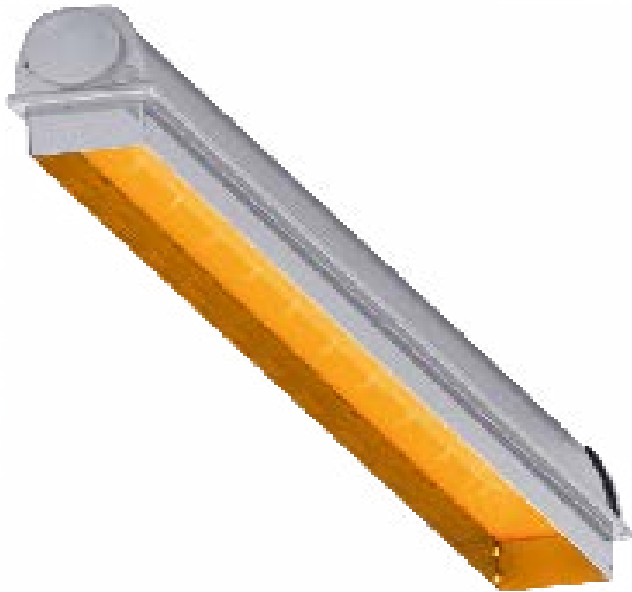


# ACCIAIO® LED ECO A

BX910LED-ECO-AMBER

## INSTALLATION INSTRUCTIONS



Beghelli Canada  
3900 14th Avenue  
Markham, Ontario L3R 4R3 Canada P:  
(905) 948-9500  
F: (905) 948-8673  
[www.BeghelliCanada.com](http://www.BeghelliCanada.com)



Beghelli USA  
3250 Corporate Way  
Miramar, Florida 33025 USA  
P: 800 726 4316 / P: 954 442 6600 F:  
954 442 6677  
[www.BeghelliUSA.com](http://www.BeghelliUSA.com)



Beghelli Mexico  
Av. Del Marqués No. 70, Int. 4  
Parque Industrial Bernardo Quintana  
C.P. 76246 El Marqués, Qro.  
P: +52 442-221-6439 / F: +52 442-221-6215  
[www.BeghelliMexico.com](http://www.BeghelliMexico.com)

ACCIAIO® LED ECO  
BX910LED-ECO-AMBER



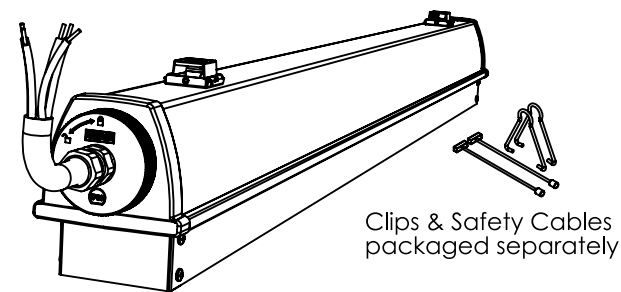
TITLE 24



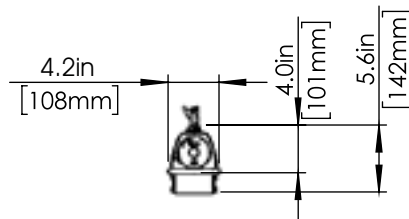
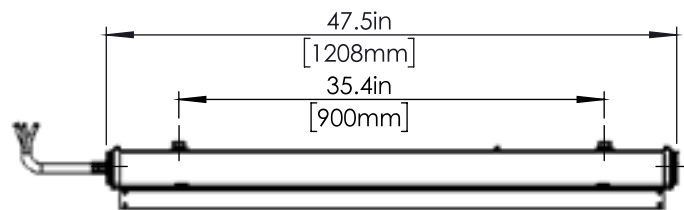
IK09 IP66



MODEL INFORMATION



BX910LED-ECO-A	
WATTAGE	30W
VOLTAGE	120-277V and 347V (50/60Hz)
WET LOCATION	YES
OPERATION	HT (AC ONLY)/0-10V DIMMING
WEIGHT	9 lbs
DIMENSION	47.5" L X 4.2" W X 5.6" H



CAUTION! ALWAYS MAKE SURE THE POWER IS TURNED OFF before starting installation.

IMPORTANT SAFEGUARDS

When using electrical equipment, basic safety precautions should always be followed including the following:

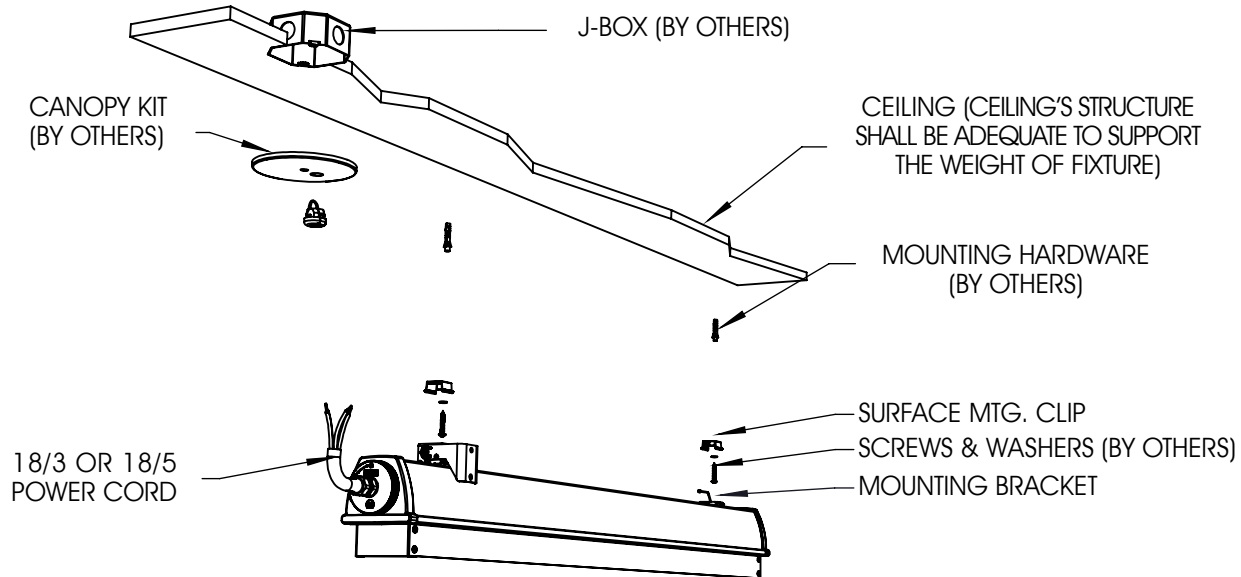
**READ AND FOLLOW ALL SAFETY INSTRUCTIONS.**

1. CAUTION! ALWAYS MAKE SURE THE POWER IS TURNED OFF before starting installation.
2. Measure, locate fixture's position, and mark locations for the brackets.
3. Secure brackets to ceiling as shown below. (HARDWARE BY OTHERS)
4. Wiring fixture to power supply, shall be performed by a certified electrician, and wired in a manner that complies with all local and national electrical codes, as well as the manufacture's wiring diagram.
5. Proper replacement of a part removed for user maintenance.

SAVE THESE INSTRUCTIONS!

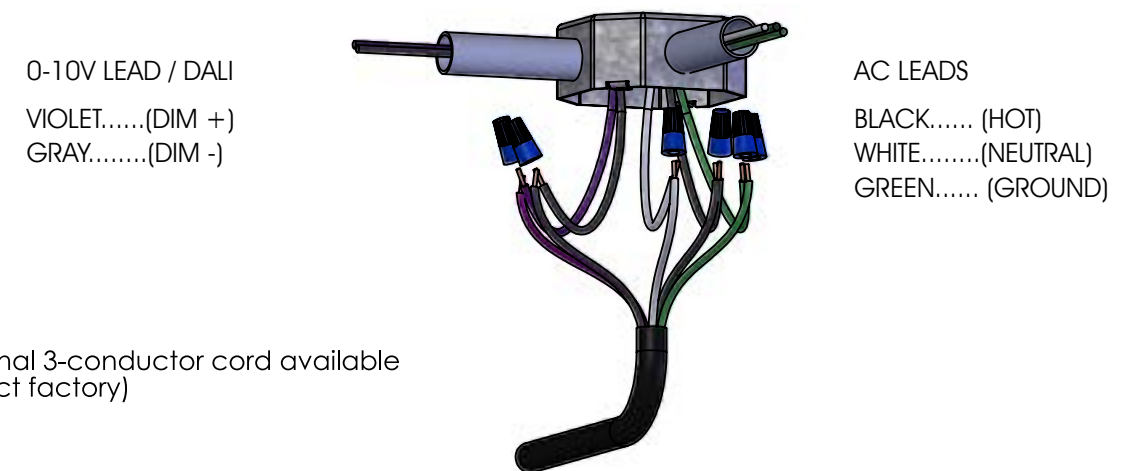
**WARNING** ⚠

No user serviceable parts. Refer service to a qualified service technician. Read instructions prior to installing and/or operating this device. Installation should be performed by a licensed electrician/installer in accordance with local codes.



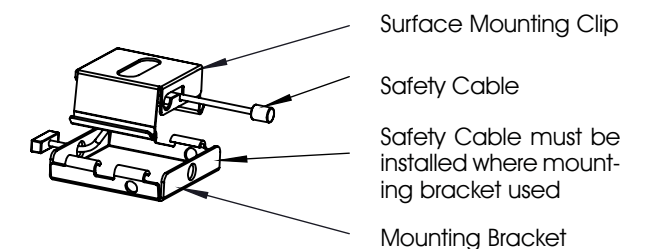
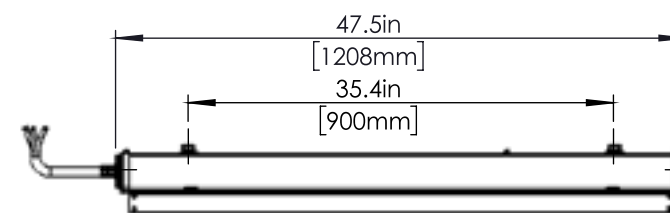
DIMMING WIRING DIAGRAM

1. 0-10V dimming wires must be run from a different conduit out of the J-box.

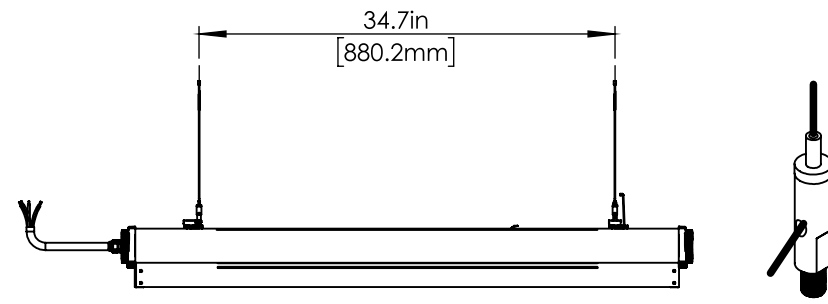


NOTE:  
- Optional 3-conductor cord available (contact factory)

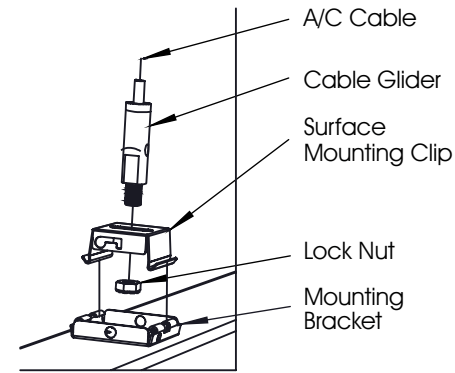
SURFACE MOUNT (SM)



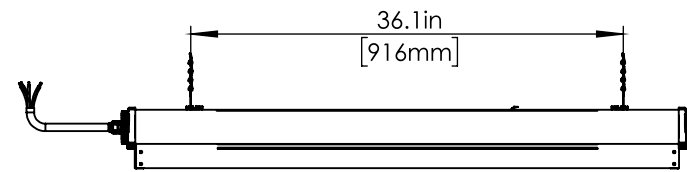
A/C CABLE (AC)



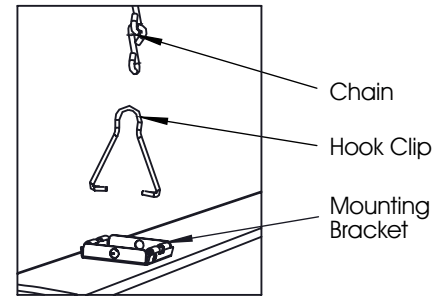
1. Attach cable glider to surface mounting clip using provided lock nut as shown.
2. Snap assembled surface mounting clip onto mounting bracket on the top of the housing until the flanges hook onto the bracket.
3. Thread the A/C Cable through the cable glider as shown. (Push top sleeve of cable glider to release lock and adjust level.)



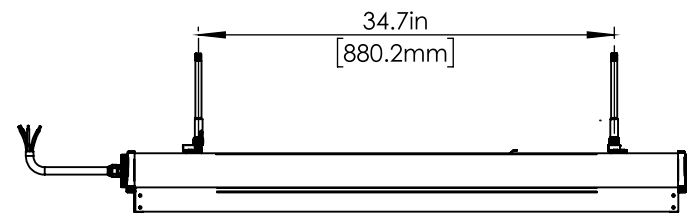
CHAIN (CH)



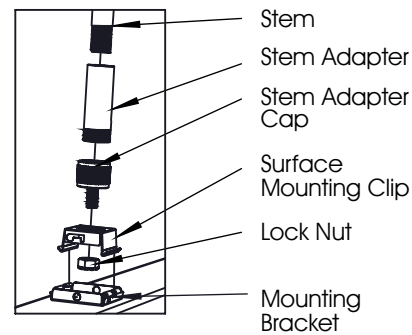
1. Insert the hook clip through the loop of the chain.
2. Attach hook clip onto the holes on the side of the bracket on the top of the housing as shown.



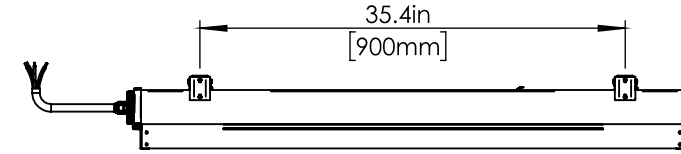
PENDANT (DOUBLE) (DPK)



1. Attach the stem adaptor cap to the surface mounting clip using provided lock nut as shown.
2. Snap assembled surface mounting clip onto mounting bracket on top of the housing until the flanges are hooked onto the bracket.
3. Attach stem adapter & stem to the adapter cap as shown



PIVOT MOUNT (PM)



1. Attach the pivot bracket to the mounting bracket on the top housing using provided screw and lock nut as shown.
2. Attach assembly to the wall as shown (hardware by others)
3. To adjust aiming angle, remove adjusting screw, reposition to the new angle, and re-install screw to lock in position.

