

PLANEX® ECO



FLAT PANEL LED - 1x4

- The **PLANEX® ECO** is DLC Premium certified and is offered in 80 CRI with a color temperature of 4000K.
- The **PLANEX® ECO** back-lit flat panel features an integrated driver that reduces the overall dimensions.
- **HOUSING:** Aluminum frame with steel housing backplate. Earthquake clips are provided standard for secure installation in grid ceilings.
- **DIFFUSER:** UV PMMA diffuser provides even light distribution, efficiency and longevity.
- **POWER FACTOR:** > 0.9
- **TOTAL HARMONIC DISTRIBUTION (THD):** <20%
- **LUMENS:** Up to 4147 lm @ 129 lm/W
- **OPERATING TEMP:**
 - HT (AC Only) -4°F to 104°F (-20°C to 40°C)
- **WEIGHT:** 5 lbs / 2.27 kg



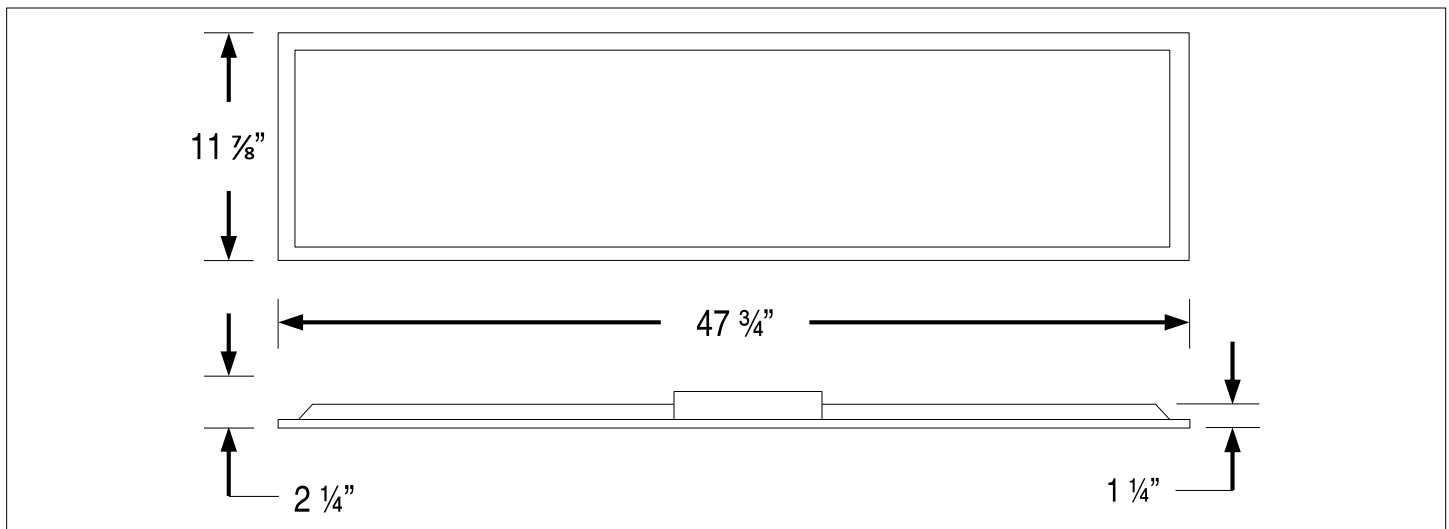
APPLICATION: The **PLANEX® ECO** is ideal for installations in healthcare, offices, banks, retail, hotels, restaurants and schools.

CONFIGURATIONS

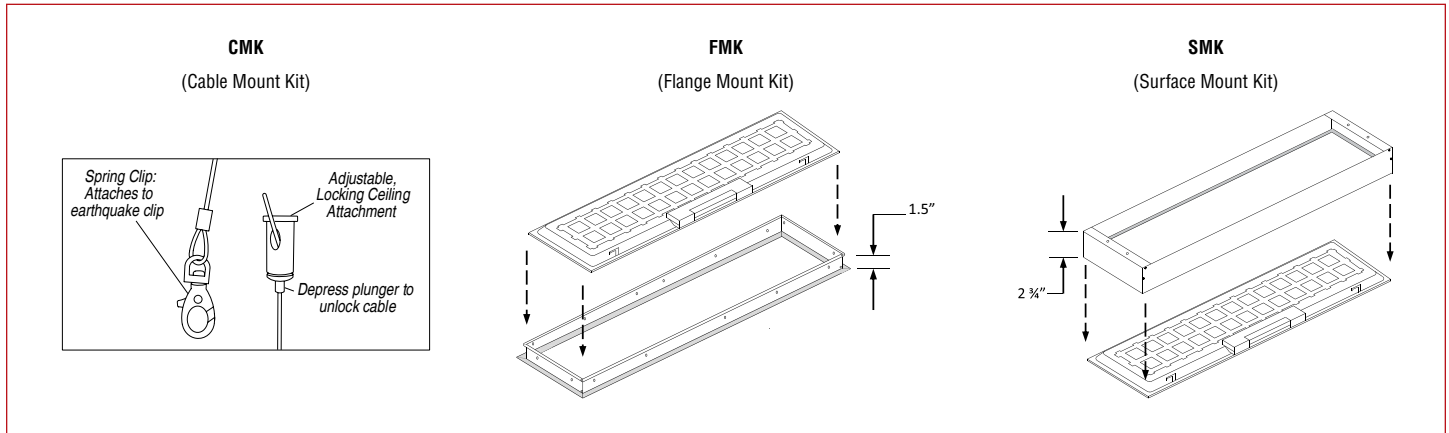
PLX-E-B	-	-	-	-	-	-	-
MODEL	SIZE	OPERATION	OUTPUT	COLOR TEMP	INPUT	MOUNTING	OPTIONS
PLX-E-B	14 (1x4)	HT	HO (32W)	WT40 (4000K)	120-277V	CMK (cable mount kit) FMK (flange mount kit) SMK (surface mount kit)	FW6 (flex whip - 6 ft)

NOTE: Grid ceiling mount is standard.

DIMENSIONS



MOUNTING OPTIONS



ENERGY CHART

MODEL	SIZE	EFFICACY	CONSUMPTION WATTAGE	LUMEN OUTPUT	CRI	L70 (HRS)
PLX-E-B-14HT-HO-WT40-120-277V	14 (1x4)	129 lm/W	32	4,147	>80	>144,000

ELECTRICAL RATING

PRODUCT	NOMINAL POWER (W)	AC CURRENT (A) AC VOLTAGE			FREQUENCY (HZ)
		120V	240V	277V	
PLX-E-B-14HT-HO	32	0.27	0.13	0.12	50/60

DIMMER COMPATIBILITY

DIMMER	COMPATABILITY	
	ON/OFF	DIMMING
LUTRON - DVSTV	YES	YES
LEVITON - IP710-LFZ	YES	YES
GENERAL PROTECHT - DMD-LED3-102	YES	YES

■ **WARRANTY:** 5 years, see website for full warranty details.

PLANEX® ECO



FLAT PANEL LED - 2x2

- The **PLANEX® ECO** is DLC premium certified and offered in 80 CRI with color temperatures of 4000K & 5000K.
- The **PLANEX® ECO** back-lit flat panel features an integrated driver that reduces the overall dimensions.
- **HOUSING:** Aluminum frame with steel housing backplate. Earthquake clips are provided standard for secure installation on grid ceilings.
- **DIFFUSER:** UV PMMA diffuser provides even light distribution, efficiency and longevity.
- **POWER FACTOR:** > 0.9
- **TOTAL HARMONIC DISTRIBUTION (THD):** <20%
- **LUMENS:** Up to 4,293 lm @ 131-134 lm/W
- **OPERATING TEMP:**
 - HT (AC Only) -4°F to 104°F (-20°C to 40°C)
- **WEIGHT:** 5 lbs / 2.27 kg



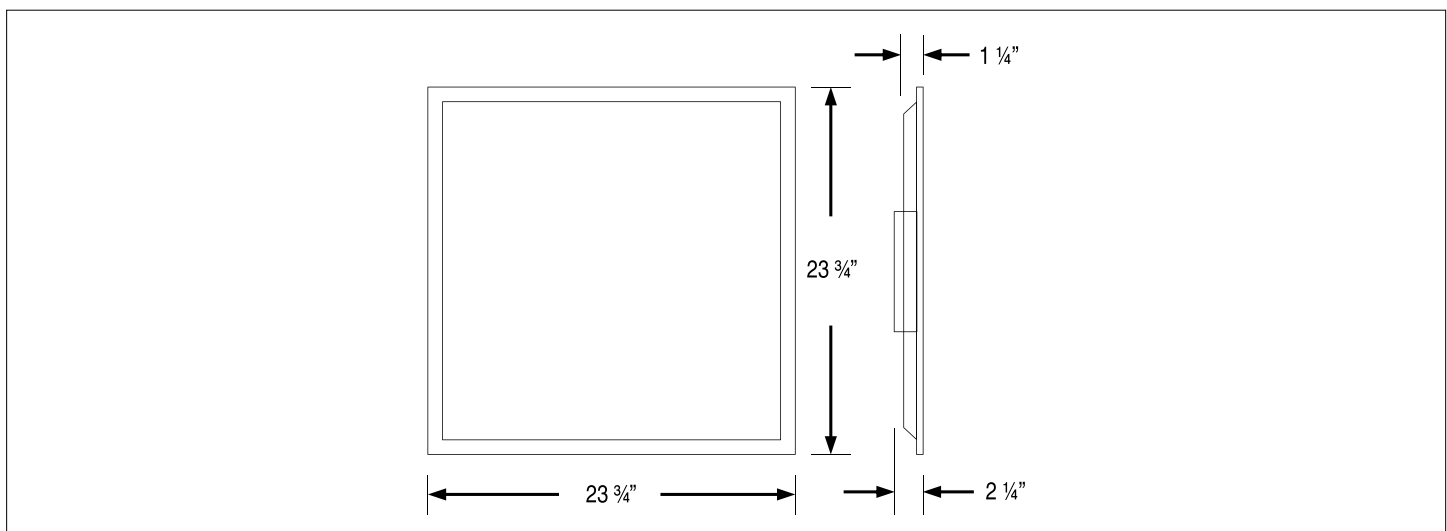
APPLICATION: The **PLANEX® ECO** is ideal for installations in healthcare, offices, banks, retail, hotels, restaurants and schools.

CONFIGURATIONS

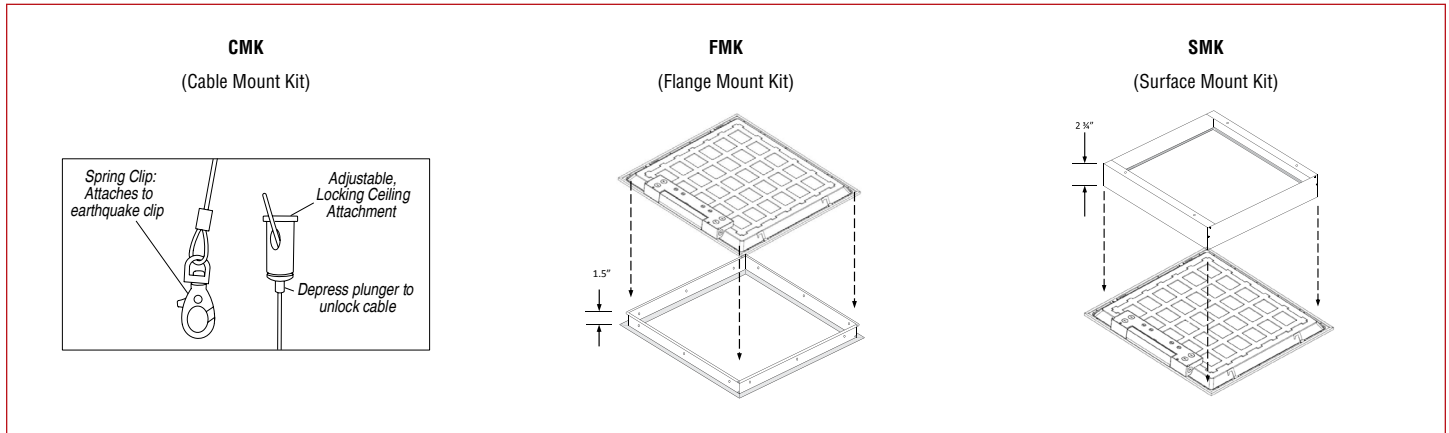
MODEL	SIZE	OPERATION	OUTPUT	COLOR TEMP	INPUT	MOUNTING	OPTIONS
PLX-E-B	2 (2x2)	HT	HO (32W)	WT40 (4000K)	120-277V	CMK (cable mount kit)	FW6 (flex whip - 6 ft)
				WT50 (5000K)		FMK (flange mount kit)	
						SMK (surface mount kit)	

NOTE: Grid ceiling mount is standard.

DIMENSIONS



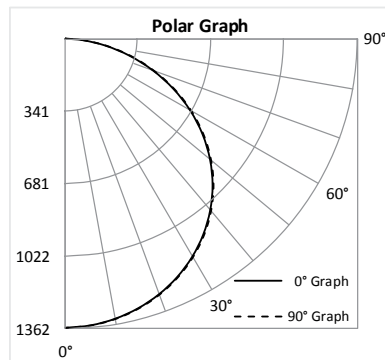
MOUNTING OPTIONS



PHOTOMETRICS

PLX-E-B-2HT-HO-WT50-120-277V

POLAR CURVES



ZONAL LUMEN SUMMARY

ZONE	LUMENS	%FIXT
0-20°	502	11.7%
0-30°	1078	25.1%
0-40°	1791	41.7%
20-50°	2054	47.9%
40-70°	2047	47.7%
0-60°	3272	76.2%
0-80°	4182	97.4%
0-90°	4289	99.9%
90-180°	4	0.1%
0-180°	4293	100.0%

ENERGY CHART

MODEL	SIZE	EFFICACY	CONSUMPTION WATTAGE	LUMEN OUTPUT	CRI	L70 (HRS)
PLX-E-B-2HT-HO-WT40-120-277V	2 (2x2)	131 lm/W	32	4,234	>80	>144,000
PLX-E-B-2HT-HO-WT50-120-277V	2 (2x2)	134 lm/W	32	4,293	>80	>144,000

PLANEX® ECO

ADDITIONAL INFORMATION

ELECTRICAL RATING

PRODUCT	NOMINAL POWER (W)	AC CURRENT (A) AC VOLTAGE			FREQUENCY (HZ)
		120V	240V	277V	
PLX-E-B-2HT-HO	32	0.27	0.13	0.12	50/60

DIMMER COMPATIBILITY

DIMMER	COMPATABILITY	
	ON/OFF	DIMMING
LUTRON - DVSTV	YES	YES
LEVITON - IP710-LFZ	YES	YES
GENERAL PROTECHT - DMD-LED3-102	YES	YES

■ **WARRANTY:** 5 years, see website for full warranty details.

PLANEX® ECO



FLAT PANEL LED - 2x4

- The **PLANEX® ECO** is DLC Premium certified and is offered in 80 CRI with color temperatures from 4000K - 5000K.
- The **PLANEX® ECO** back-lit flat panel features an integrated driver that reduces the overall dimensions.
- **HOUSING:** Aluminum frame with steel housing backplate. Earthquake clips are provided standard for secure installation in grid ceilings.
- **DIFFUSER:** UV PMMA diffuser provides even light distribution, efficiency and longevity.
- **POWER FACTOR:** > 0.9
- **TOTAL HARMONIC DISTRIBUTION (THD):** <20%
- **LUMENS:** Up to 7,442 lm @ 132-135 lm/W
- **OPERATING TEMP:**
 - HT (AC Only) -4°F to 104°F (-20°C to 40°C)
- **WEIGHT:** 9 lbs / 4.08 kg



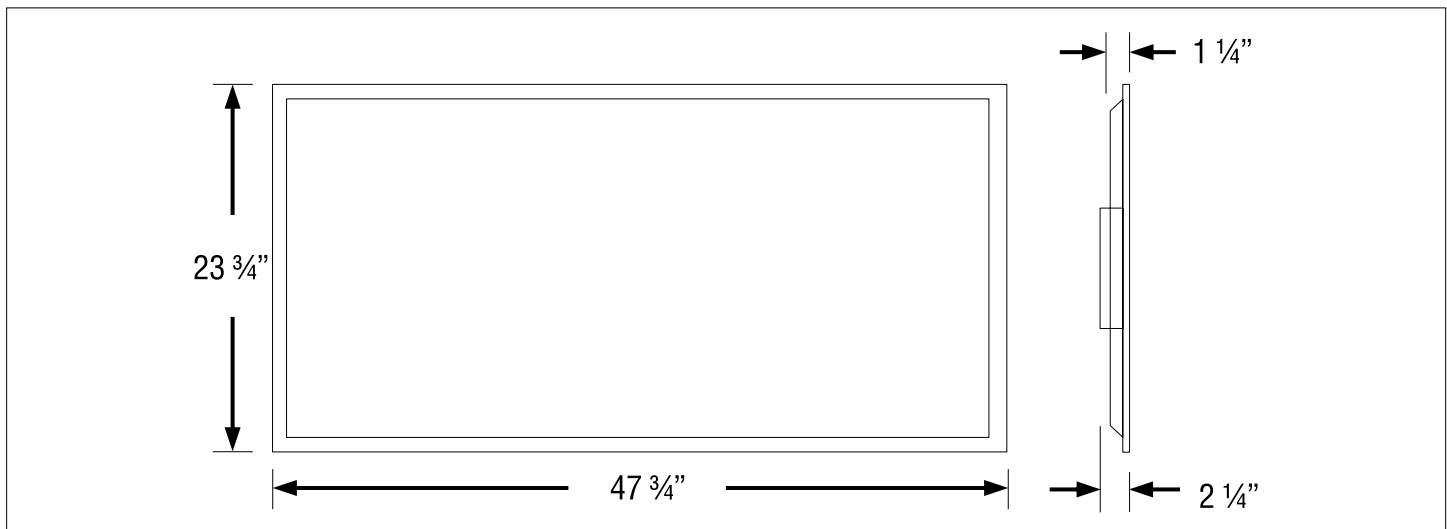
APPLICATION: The **PLANEX® ECO** is ideal for installations in healthcare, offices, banks, retail, hotels, restaurants and schools.

CONFIGURATIONS

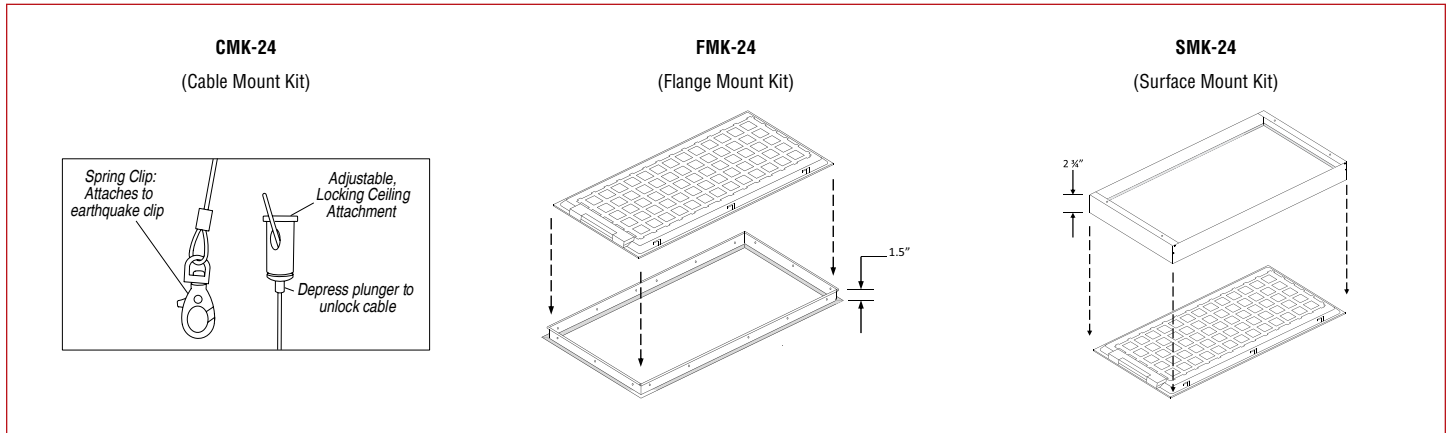
MODEL	SIZE	OPERATION	OUTPUT	COLOR TEMP	INPUT	OPTIONS	MOUNTING
PLX-E-B	24 (2x4)	HT (AC only)	HO (40W) VHO (55W)	WT40 (4000K) WT50 (5000K)	120-277V	FW6 (flex whip - 6 ft)	GMK-24 (cable mount kit) FMK-24 (flange mount kit) SMK-24 (surface mount kit)

NOTE: Grid ceiling mount is standard.

DIMENSIONS



MOUNTING OPTIONS



PHOTOMETRICS

MODEL	POLAR CURVES	ZONAL LUMEN SUMMARY																																	
PLX-E-B-24HT-HO-WT40-120-277V		<table border="1"> <thead> <tr> <th>ZONE</th> <th>LUMENS</th> <th>%FIXT</th> </tr> </thead> <tbody> <tr><td>0-20°</td><td>663</td><td>12.3%</td></tr> <tr><td>0-30°</td><td>1418</td><td>26.3%</td></tr> <tr><td>0-40°</td><td>2338</td><td>43.4%</td></tr> <tr><td>20-50°</td><td>2638</td><td>49.0%</td></tr> <tr><td>40-70°</td><td>2518</td><td>46.8%</td></tr> <tr><td>0-60°</td><td>4181</td><td>77.6%</td></tr> <tr><td>0-80°</td><td>5258</td><td>97.6%</td></tr> <tr><td>0-90°</td><td>5379</td><td>99.9%</td></tr> <tr><td>90-180°</td><td>6</td><td>0.1%</td></tr> <tr><td>0-180°</td><td>5385</td><td>100.0%</td></tr> </tbody> </table>	ZONE	LUMENS	%FIXT	0-20°	663	12.3%	0-30°	1418	26.3%	0-40°	2338	43.4%	20-50°	2638	49.0%	40-70°	2518	46.8%	0-60°	4181	77.6%	0-80°	5258	97.6%	0-90°	5379	99.9%	90-180°	6	0.1%	0-180°	5385	100.0%
		ZONE	LUMENS	%FIXT																															
0-20°	663	12.3%																																	
0-30°	1418	26.3%																																	
0-40°	2338	43.4%																																	
20-50°	2638	49.0%																																	
40-70°	2518	46.8%																																	
0-60°	4181	77.6%																																	
0-80°	5258	97.6%																																	
0-90°	5379	99.9%																																	
90-180°	6	0.1%																																	
0-180°	5385	100.0%																																	
PLX-E-B-24HT-VHO-WT40-120-277V		<table border="1"> <thead> <tr> <th>ZONE</th> <th>LUMENS</th> <th>%FIXT</th> </tr> </thead> <tbody> <tr><td>0-20°</td><td>922</td><td>12.4%</td></tr> <tr><td>0-30°</td><td>1970</td><td>26.5%</td></tr> <tr><td>0-40°</td><td>3247</td><td>43.6%</td></tr> <tr><td>20-50°</td><td>3661</td><td>49.2%</td></tr> <tr><td>40-70°</td><td>3485</td><td>46.8%</td></tr> <tr><td>0-60°</td><td>5799</td><td>77.9%</td></tr> <tr><td>0-80°</td><td>7276</td><td>97.8%</td></tr> <tr><td>0-90°</td><td>7434</td><td>99.9%</td></tr> <tr><td>90-180°</td><td>8</td><td>0.1%</td></tr> <tr><td>0-180°</td><td>7442</td><td>100.0%</td></tr> </tbody> </table>	ZONE	LUMENS	%FIXT	0-20°	922	12.4%	0-30°	1970	26.5%	0-40°	3247	43.6%	20-50°	3661	49.2%	40-70°	3485	46.8%	0-60°	5799	77.9%	0-80°	7276	97.8%	0-90°	7434	99.9%	90-180°	8	0.1%	0-180°	7442	100.0%
		ZONE	LUMENS	%FIXT																															
0-20°	922	12.4%																																	
0-30°	1970	26.5%																																	
0-40°	3247	43.6%																																	
20-50°	3661	49.2%																																	
40-70°	3485	46.8%																																	
0-60°	5799	77.9%																																	
0-80°	7276	97.8%																																	
0-90°	7434	99.9%																																	
90-180°	8	0.1%																																	
0-180°	7442	100.0%																																	

ENERGY CHART

MODEL	SIZE	EFFICACY	CONSUMPTION WATTAGE	LUMEN OUTPUT	CRI	L70 (HRS)
PLX-E-B-24-HT-HO-WT40-120-277V	24 (2x4)	132 lm/W	40	5,330	>80	>144,000
PLX-E-B-24-HT-HO-WT50-120-277V	24 (2x4)	134 lm/W	40	5,385	>80	>144,000
PLX-E-B-24-SA-VHO-WT40-120-277V	24 (2x4)	133 lm/W	55	7,330	>80	>144,000
PLX-E-B-24-SA-VHO-WT50-120-277V	24 (2x4)	135 lm/W	55	7,442	>80	>144,000

PLANEX® ECO

ADDITIONAL INFORMATION

ELECTRICAL RATING

DIMMER COMPATIBILITY

PRODUCT	NOMINAL POWER (W)	AC CURRENT (A) AC VOLTAGE			FREQUENCY (HZ)
		120V	240V	277V	
PLX-E-B-24-HT-HO	40	0.33	0.17	0.14	50/60
PLX-E-B-24-HT-VHO	55	0.46	0.23	0.20	50/60

DIMMER	COMPATABILITY	
	ON/OFF	DIMMING
LUTRON - DVSTV	YES	YES
LEVITON - IP710-LFZ	YES	YES
GENERAL PROTECHT - DMD-LED3-102	YES	YES

■ **WARRANTY:** 5 years, see website for full warranty details.