

#### IMPORTANT SAFEGUARDS

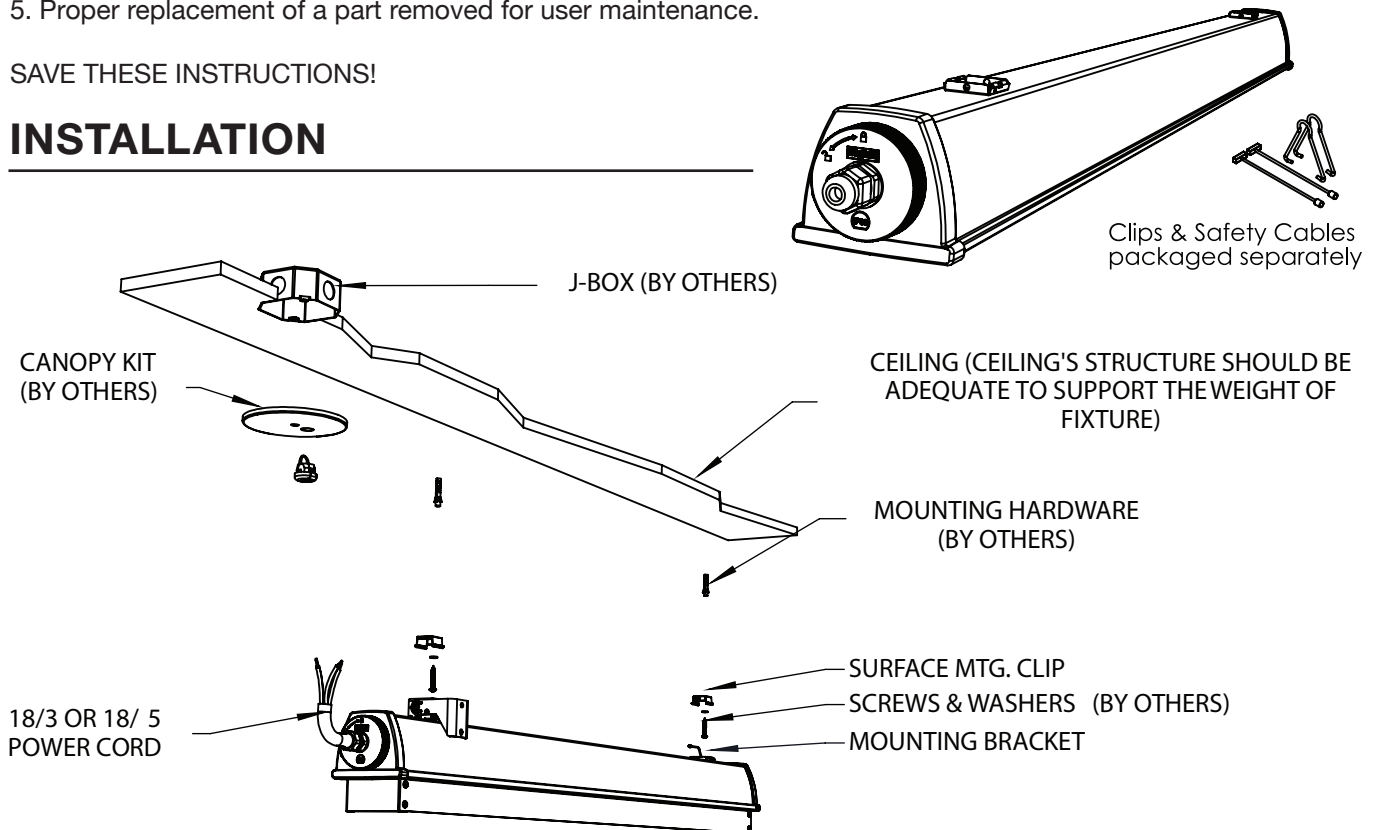
When using electrical equipment basic safety precautions should always be followed including the following:

#### READ AND FOLLOW ALL SAFETY INSTRUCTIONS:

1. CAUTION! ALWAYS MAKE SURE THE POWER IS TURNED OFF before starting installation.
2. Measure, locate fixture's position, and mark locations for the brackets.
3. Secure brackets to ceiling as shown below. (HARDWARE BY OTHERS)
4. Wiring fixture to power supply, shall be performed by a certified electrician, and wired in a manner that complies with all national electrical codes, as well as the manufacturer's wiring diagram.
5. Proper replacement of a part removed for user maintenance.

SAVE THESE INSTRUCTIONS!

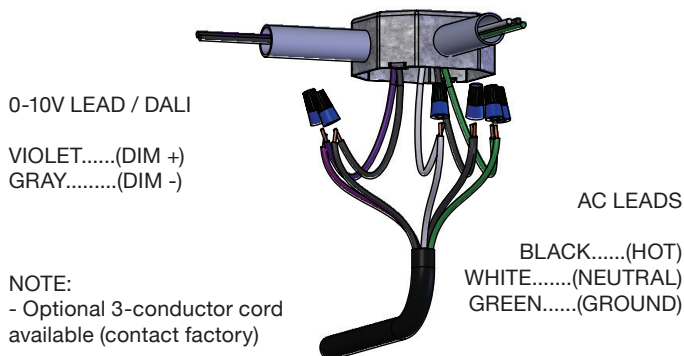
#### INSTALLATION



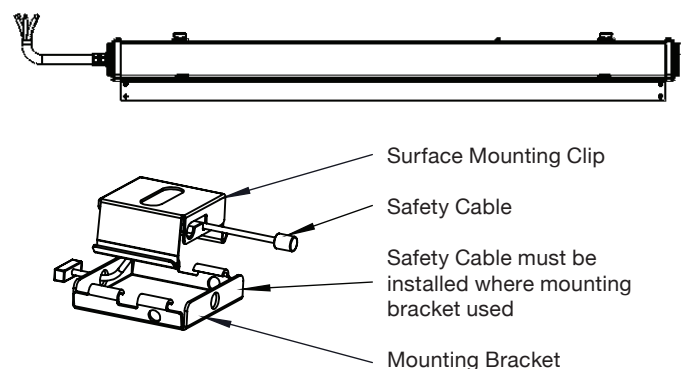
SAVE THESE INSTRUCTIONS!

#### DIMMING WIRING DIAGRAM:

1. 0-10V dimming wires must be run from a different conduit out of the J-box.

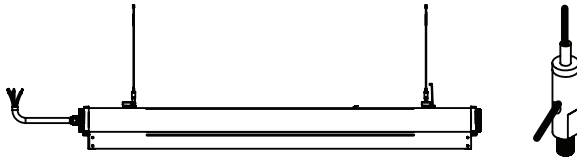


#### SURFACE MOUNT (SM)



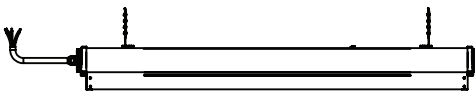
#### A/C CABLE (AC):

1. Attach cable glider to surface mounting clip using provided lock nut as shown
2. Snap assembled surface mounting clip onto mounting bracket on the top of the housing until the flanges hook onto the bracket.
3. Thread the A/C Cable through the cable glider as shown. (Push top sleeve of cable glider to release lock and adjust level.)



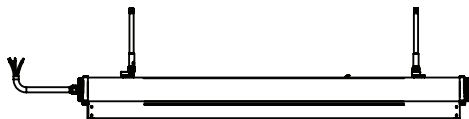
#### CHAIN (CH):

1. Insert the hook clip through the loop of the chain.
2. Attach hook clip onto the holes on the side of the bracket on the top of the housing as shown.



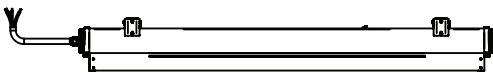
#### PENDANT KIT:

1. Attach the stem adaptor cap to the surface mounting clip using provided lock nut as shown.
2. Snap assembled surface mounting clip onto mounting bracket on the top of the housing until the flanges hook onto the bracket.
3. Attach stem adapter & stem to the adapter cap as shown.



#### PIVOT MOUNT (PM):

1. Attach the pivot bracket to the mounting bracket on the top housing using provided screw and lock nut as shown.
2. Attach assembly to the wall as shown (hardware by others).
3. To adjust aiming angle, remove adjusting screw, reposition to the new angle and re-install screw to lock in position.



#### TRUNNION MOUNT (TM):

1. Attach the trunion bracket to the mounting brackets as shown.
2. Snap the fixture onto the bracket assembly as shown.

