

Beghelli

TEMPESTA™ LED.

LED EMERGENCY



1350 LUMENS

WET LOCATION / IP65

NI-MH BATTERY

AUTOTEST STANDARD

VANDAL RESISTANT

INTELLIGENCE WITH LED TECHNOLOGY



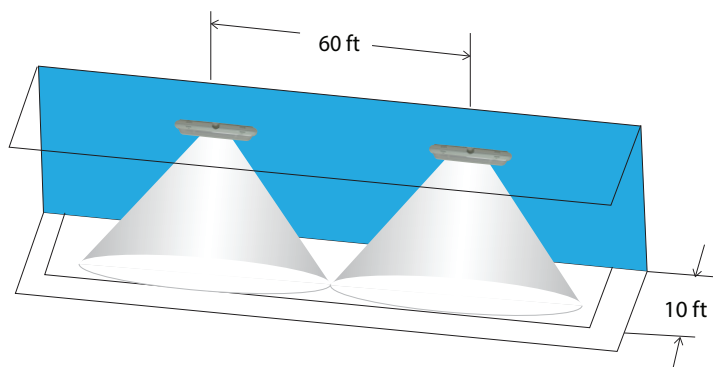
The **TEMPESTA™ LED** boasts Italian design, reliability and increased fixture to fixture performance. The use of LED technology allows for an improved spread of light, fewer units to install and maintain and an overall safer environment during a power failure. Designed for wall or ceiling installations, the **TEMPESTA™ LED**.

APPLICATIONS

TEMPESTA™ LED is suitable for use in a variety of applications including:

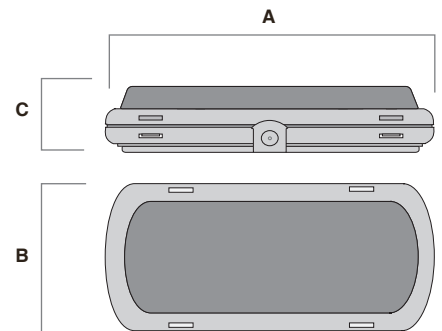
- SCHOOLS
- PUBLIC AREAS
- BANKS
- HOSPITALS
- RESIDENCES
- LIBRARIES
- OFFICES
- LOBBIES
- POOLS
- FOOD PREP AREAS
- RETAIL
- BOTTLING

CEILING FIXTURE SPACING



- LED Source Color Temperature: 4000K
- Mounting Height: 10 ft.
- Path of Egress: 10 ft.
- Spacing: 60 ft. on Center
- Reflectances: 80/50/20
- Footcandles: Average 1.0FC

Performance data is an estimate and will vary based on real life applications.
Average 1.0FC, no point less than 0.1FC. Layout assumes open space with no obstructions.



MODEL	A	B	C
S	17" (431.8mm)	6 ¹ / ₂ " (165.1mm)	3 ¹ / ₂ " (88.9mm)
R	19 ¹ / ₄ " (488.95mm)	9 ¹ / ₂ " (241.3mm)	3 ¹ / ₂ " (88.9mm)
TB	23 ³ / ₄ " (603.25mm)	7 ¹ / ₂ " (190.5mm)	4" (101.6mm)

MOUNTING OPTIONS

SURFACE CEILING

SURFACE WALL

RECESSED CEILING

RECESSED WALL

T-BAR CEILING



GEORGIAN COLLEGE: SURFACE CEILING MOUNTED TEMPESTA™ LED

CASE STUDY: SCHOOL

School applications require reliable emergency lighting systems with low maintenance and durable construction.

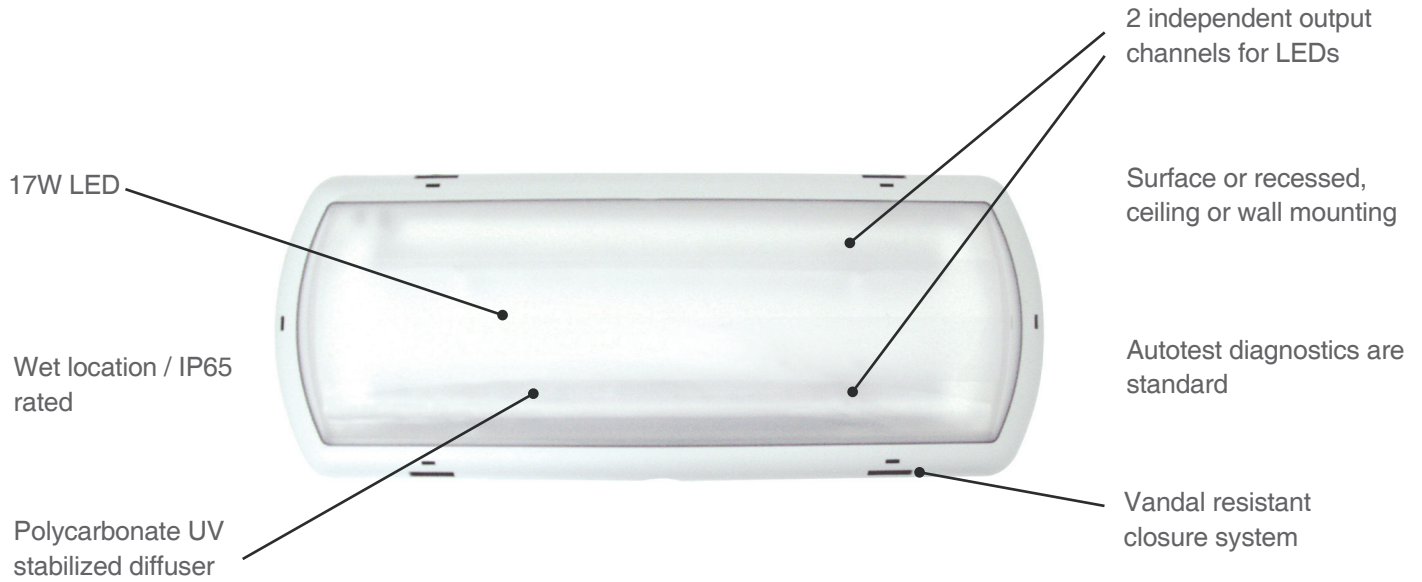
With the **TEMPESTA™ LED**, maintenance is minimal. The Samsung LEDs are projected to last for 100,000 hours at L_{70} . Autotest diagnostics are standard and provides automatic testing at pre-programmed intervals. Results are communicated simply and intuitively via a single multi-colored LED.

The **TEMPESTA™ LED** features a nickel metal hydrid battery with a minimum duration of 90 minutes during emergency operation.

The **TEMPESTA™ LED** diffuser has been designed to fully enclose the LED assembly. Vandal resistant housing clips ensure the integrity of the **TEMPESTA™ LED** and discourage tampering.

The **TEMPESTA™ LED** housing is constructed from corrosion, flame and vandal resistant polycarbonate. The **TEMPESTA™ LED** diffuser is UV stabilized and provides superior light distribution.

TEMPESTA™ LED OVERVIEW



Conforms to ANSI/NSF Std. No. 2

FEATURES & BENEFITS

FEAUTURES

- Wet Location / IP65
- Up to 1350 lumens in Emergency Mode
- Autotest diagnostics
- 100% polycarbonate construction
- Samsung LED Technology
- Sanitation Listed
- Vandal Resistant

BENEFITS

- Suitable for both indoor and outdoor applications
- Protection against environments containing dust and water
- Greater fixture to fixture spacing on center
- Up to 60' spacing
- Cost savings with less units required
- Intelligent communication with continuous status updates
- Corrosion, flame and vandal resistant
- Reduced maintenance with 100,000 hour LED life
- Suitable for use in any food preparation environment that requires a splash zone rating of ANSI/NSF Std. No. 2