

INSTRUCTIONS

IMPORTANT SAFEGUARDS

When using electrical equipment, basic safety precautions should always be followed including the following:

1. **READ AND FOLLOW ALL SAFETY INSTRUCTIONS**
2. Turn off power supply before attempting to install the unit
3. Do not let power cords touch hot surfaces
4. Do not mount near gas or electric heaters.
5. Equipment should be mounted in locations where unauthorized personnel will not readily subject it to tampering.
6. The use of accessories not recommended by Beghelli, may cause an unsafe condition, and will void the warranty.
7. Do not use this equipment for other than its intended purpose.
8. Qualified service personnel should perform servicing of this equipment.
9. Consult building code for approved wiring and installation
10. The fixture must be grounded to avoid potential electric shock
11. This device complies with part 15 of the FCC Rules. Operation is subject to the following two conditions: (1) This device may not cause harmful interference, and (2) this device must accept any interference received, including interference that may cause undesired operation.
12. **SAVE THESE INSTRUCTIONS!**

INSTALLATION (standard surface wall)

1. Extend unswitched 48 hour AC supply of rated voltage to an electrical junction box (supplied by others) installed in accordance with all applicable codes and standards.
2. Extend wiring from the junction box to the location where the unit will be installed. Leave at least 8 inches of slack wire at the end of the circuit. This circuit should NOT be energized/live at this time.
3. Remove the lens by placing an appropriate sized flat head screw driver into the snap lock clips and pushing the clips slightly in and down until they release the lens. This must be completed to each of the four clips (Figure 1).
4. Pull the lens away from the unit. The internal reflector and chassis can now be removed by placing the screw driver into the reflector locking channels and twisting slightly until the clip releases. This must be completed to each of the four mounting channels (Figure 2).
5. Pull the reflector and chassis away from the back plate (Figure 3) to access the electronics mounted on the back.
6. Surface, wall or ceiling installation can be completed by installing screws and washers (supplied by others) with a water proof cap through the back of the fixture housing (Figure 5).
7. **EM and AC EM units only:** Complete the battery connection by plugging the 2-position battery connector into the PCB (Figure 4). Two-wire wall switch control is available in AC EM unit (Figure 8). For multiple fixtures controlled by a single wall switch, connect same polarity to the same side of switch.
8. Secure wires and ensure that AC supply wires have been routed to the steel electrical on the back of the unit.
9. Make the appropriate AC voltage connection (Figure 8).
10. Re-align the reflector with the back plate and push together until each locking clip engages.
11. Align the lens with the unit and push in back into place until each lens snap lock clip engages.
12. When the unit is reassembled turn on AC voltage supply.

Figure 1

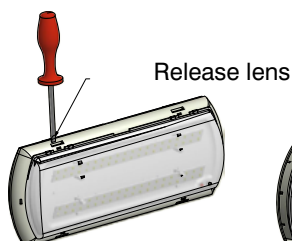


Figure 2

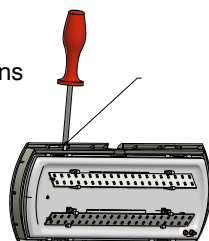


Figure 3

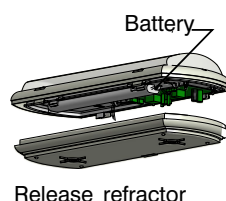


Figure 4

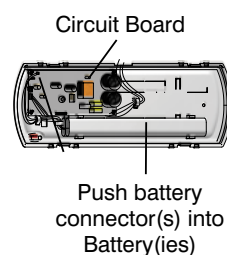
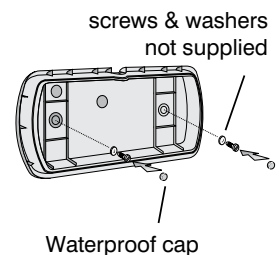


Figure 5

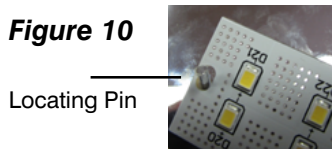


CEILING SURFACE MOUNTING:

Fixture is shipped with LED strips positioned for wall mounting. To improve light distribution when mounting on ceiling, configure unit for ceiling mount by re-positioning the LED boards.

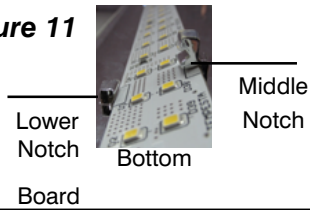
1. Test switch indicates bottom of fixture.
2. Ensure locating pin goes through slot in LED strip (Figure 10).
3. Un-snap bottom LED strip and gently snap into middle notch and lower notch (Figure 11).
4. Un-snap top LED strip and gently snap into lower notch and upper notch (Figure 12).

Figure 10



Locating Pin

Figure 11



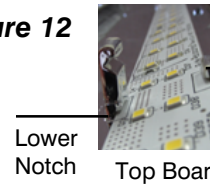
Lower Notch

Bottom Board

Middle Notch

Figure 12

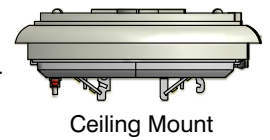
emergency version



Lower Notch

Top Board

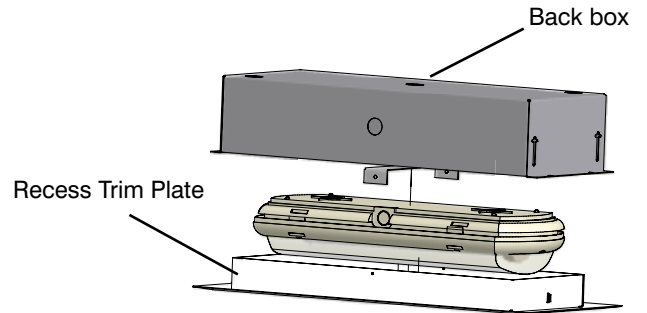
Upper Notch



Ceiling Mount

RECESS MOUNT

1. Follow steps 1 to 11 of standard Installation instructions.
2. Place the unit lens down into the recess trim plate and secure properly.
3. Ensure the recess back box is installed as per national and local requirements.
4. Fit recess trim plate into the properly installed recess back box
5. Turn on AC line voltage supply.



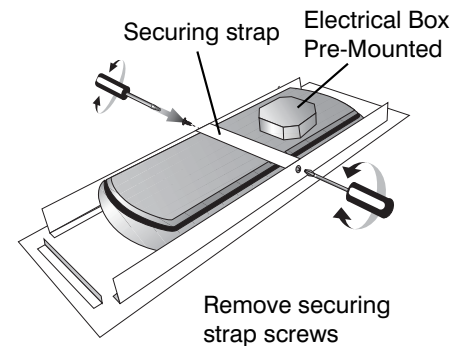
Back box

Recess Trim Plate

T-BAR MOUNTING:

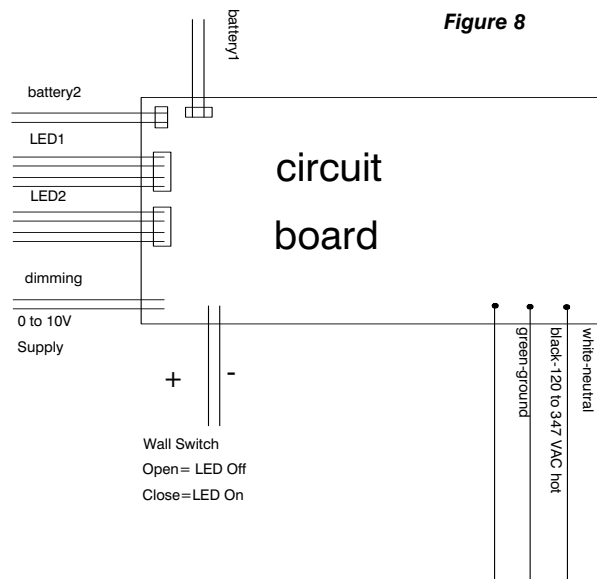
1. Follow steps 1 to 11 of standard Installation instructions.
2. Unscrew the two securing screws and remove securing strap (Figure 15)
3. Place the unit lens down into the T-bar housing and secure re-insert the securing strap.
4. Screw the mounting strap screws back into place.
5. Mount the unit securely into place. Do not rely on the suspended ceiling channel / grid (T-bar) as the only support for the unit. There are four chain mounting holes provided on each corner of the top of the housing. Chain or mounting wire should be secured through these holes and then to a secure mounting point above the suspended ceiling.
6. Turn on AC line voltage supply.

Figure 15



Remove securing strap screws




ELECTRICAL:



circuit board

Wall Switch
Open = LED Off
Close = LED On

SELF-DIAGNOSTIC LEGEND:

-  Steady Green: Normal Operation
-  Flashing Red/Green: High Charging
-  Steady Red: Battery Disconnected

MAINTENANCE

1. The equipment is to be repaired whenever the equipment fails to operate as intended during the duration test. Written records of test results and any repairs made must be maintained. Beghelli Inc. strongly recommends compliance with all Code requirements.
 2. Clean lens on a regular basis.
- NOTE: The servicing of any parts should be performed by qualified service personnel only. The use of replacement parts not furnished by Beghelli Inc. Inc., may cause equipment failure and will void the warranty.

The LEDs listed herein when used according to the instructions with this unit are in accordance with the requirements of
CSA Standard C22.2, No. 141 – Unit Equipment for Emergency Lighting.

TROUBLESHOOTING

LED STRIPS DO NOT COME ON AT ALL IN EMERGENCY MODE

LED indicator is out before test...

1. Check AC supply - be sure unit has 48 hour AC supply (unswitched).
2. Reset system by disconnecting battery and turning off AC. Wait 10 seconds, then reconnect battery and resume AC.
3. AC supply is OK, and indicator light is out, replace PC Board Assembly.

LED indicator is on before test...

1. Either the output is shorted or overloaded, or the battery is not connected.
2. Battery is severely discharged. Allow 48 hours for recharge and then retest. NOTE: This could be the result of a switched AC supply to the unit (which has been turned off at some point), a battery with a shorted cell, an old battery or a battery which has been discharged due to a long power outage and is not yet fully recharged.

SAVE THESE INSTRUCTIONS