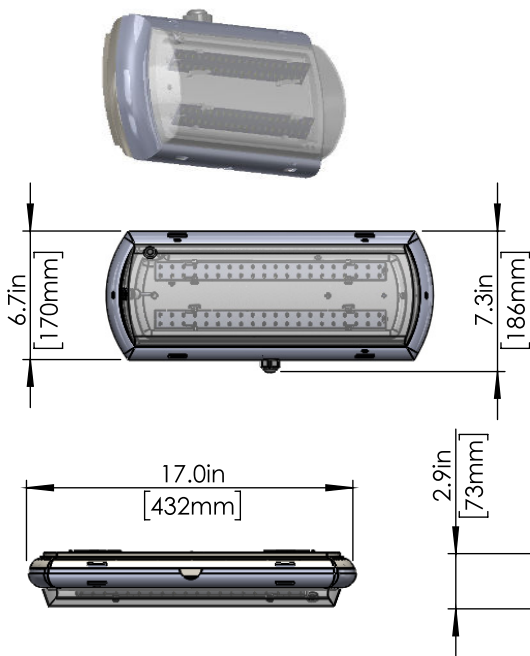


**INSTRUCTIONS
IMPORTANT SAFEGUARDS**

When using electrical equipment, basic safety precautions should always be followed including the following:

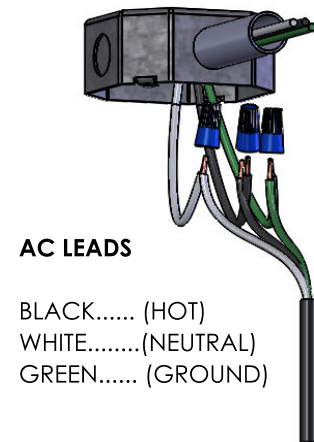
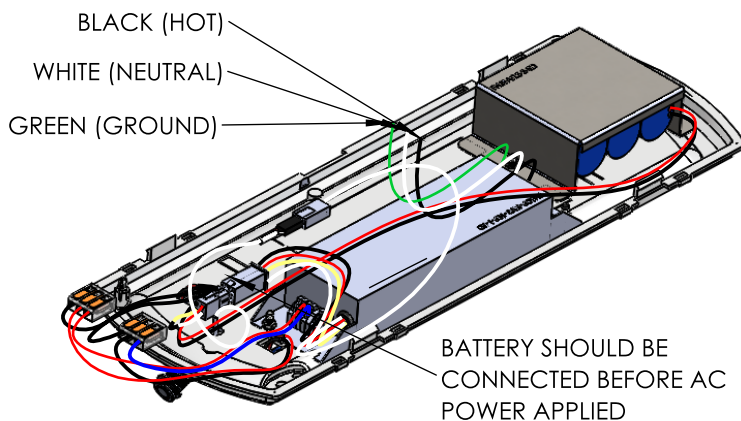
CAUTION! ALWAYS MAKE SURE THE POWER IS TURNED OFF before starting the installation.

1. Measure, locate fixture's position, and mark locations for the brackets.
2. Secure brackets to ceiling as shown below. (HARDWARE BY OTHERS)
3. Wiring fixture to power supply, shall be performed by a certified electrician, and wired in a manner that complies with all local and national electrical codes, as well as the manufacturer's wiring diagram.
4. Proper replacement of a part removed for user maintenance.

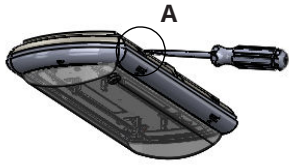


TEMPESTA T20 SE	
WATTAGE	9.25W
VOLTAGE	120-277V 50/60Hz
WET LOCATION	YES
OPERATION	SE (EMERGENCY ONLY)
AMBIENT TEMPERATURE HT	10°C (50°F) / 40°C (104°F)
WEIGHT	6 lbs
DIMENSION	17.0" X 6.7" X 3.0"

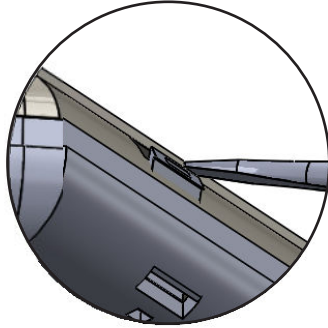
WIRING



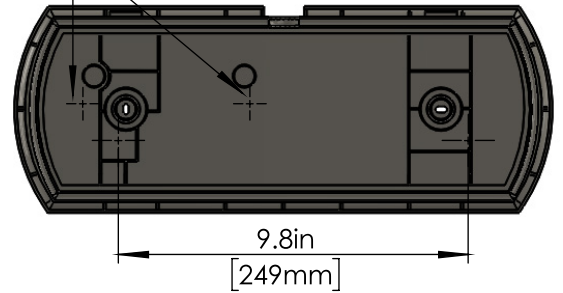
REMOVING LENS



- A.** Using a flat head screwdriver, push-in to release lock (repeat for 3 other clips).



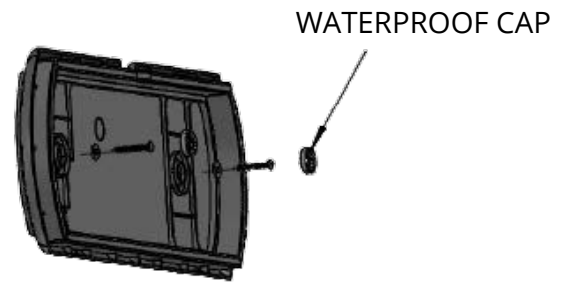
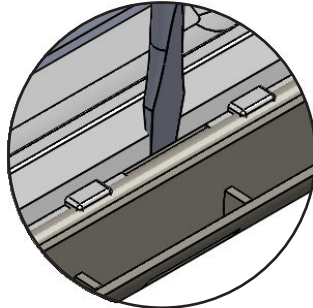
SURFACE MTG.
(HARDWARE BY OTHERS)
(2) 1/2" TRADE SIZE KNOCK-OUTS



REMOVING ELECTRICAL ASSEMBLY



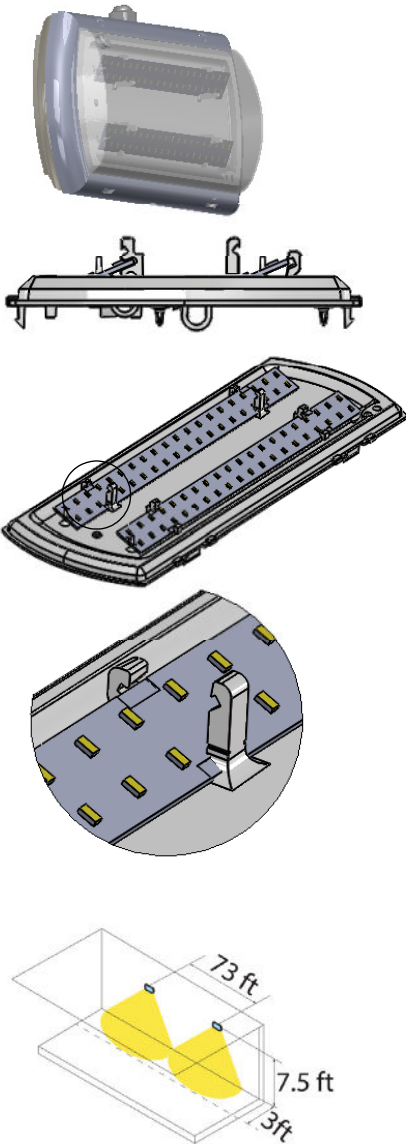
- B.** Using a flat head screwdriver, twist to release lock (repeat for 3 other clips).



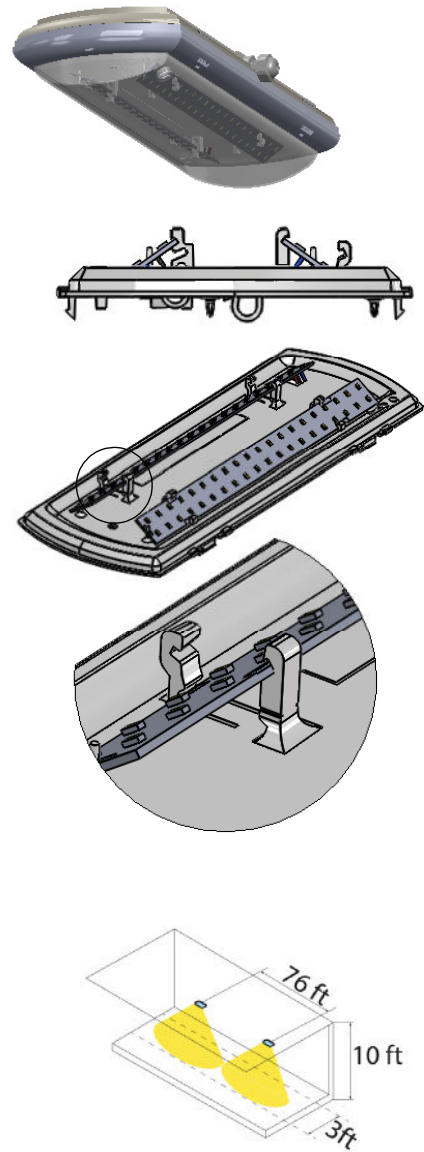
- C.** Install back plate on the wall at designated location (hardware by others). Snap on the provided waterproof cap.

MOUNTING POSITIONS

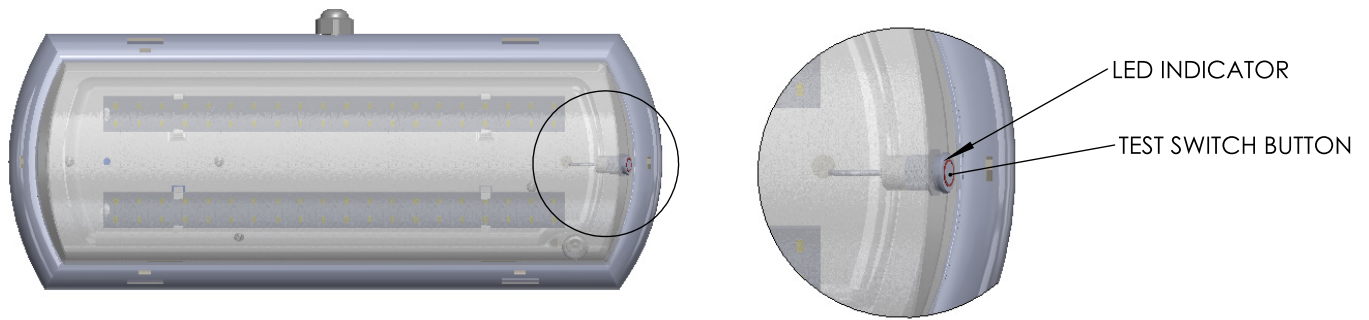
WALL MOUNT LED POSITION



CEILING MOUNT LED POSITION



LED INDICATOR / TEST SWITCH



IMPORTANT: Indicator (LED light) illuminated indicates battery in charge mode when AC power is applied. It is recommended and required by applicable code to test emergency function to ensure proper operation of the system; push the test switch for thirty (30) seconds every 30 days to ensure the emergency driver is functioning as LED light source illuminated. Conduct a ninety minute (90) discharge test one time (1) per year; LED light source should be illuminated for a minimum of ninety minutes (90).

LED INDICATOR LEGENDS FOR AUTOTEST (SELF-DIAGNOSTIC)

● PERMANENT GREEN:	SYSTEM OK (AC MODE)
⚙ SLOW FLASHING GREEN (2sec ON, 2sec OFF):	SELF-DIAGNOSTIC TESTING UNDERWAY
⚙ FLASHING RED (4sec ON, 1sec OFF)	BATTERY NOT CONNECTED (CONNECT THE BATTERY)
⚙ SLOW FLASHING RED (1sec ON, 1sec OFF):	BATTERY FAILURE (REPLACE BATTERY)
⚙ FAST FLASHING RED (0.1sec ON, 0.1sec OFF):	ABNORMAL DRIVER PERFORMANCE (REPLACE DRIVER)
⚙ FLASHING GREEN (0.1sec ON, 3sec OFF):	DC MODE-BATTERY OPERATION (EMERGENCY MODE)

TEST SWITCH OPERATIONS

1. EM Test: Press and hold the test button (>1 s) to enter EM mode for testing in normal AC power.
2. Manual Self-Diagnostic: After charging for twelve (12) hours or when the battery is fully charged, quickly press the test button three times within two seconds to force the controller to enter a self-diagnostic cycle. To quit the self-diagnostic cycle after it has started, press and hold the test button for ten seconds.
3. Enable/Disable Auto Self-Diagnostic: Press and hold the test button for one second, then release and quickly press the test button twice, then release and press and hold the test button for two seconds. When properly executed, the indicator on the test button will display the appropriate color for the Enable/Disable status. A flashing of 2.5s ON/0.5s OFF means "Enabled," while a flashing of 0.5s ON/2.5s OFF means "Disabled." Once Enable/Disable is set, the status color on the test button will remain the same throughout normal operation (refer to the Indicator Status Table).
4. Enable/Disable Self-Diagnostic Status: Quickly click the test button twice within two seconds to query the Self-Diagnostic Enabled/Disabled status. The indicator will blink for the current status for three cycles. 2.5s ON/0.5s OFF stands for Enabled. 0.5s ON/2.5s OFF stands for Disabled.
5. Exit Output Short Circuit/No Load/Over Voltage Protection: When the test button flashes red for 4s ON/4s OFF, press and hold the test switch for ten seconds.
6. Emergency Battery Disengage: Press and hold the test switch for ten seconds during EM output condition to turn off EM output. This is useful in the production environment to turn off the EM output once a luminaire has completed functionality testing. This applies to products with Serial Numbers starting with Date code: S12016 or higher.

