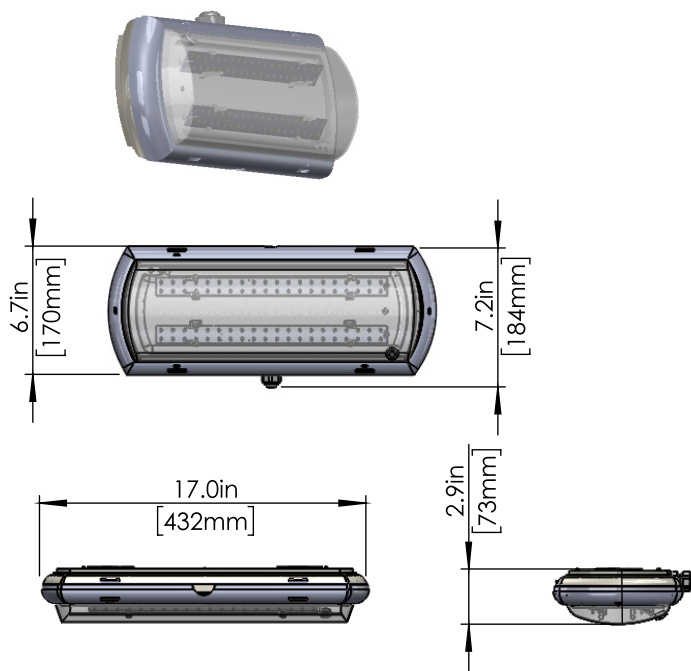


**INSTRUCTIONS
IMPORTANT SAFEGUARDS**

When using electrical equipment, basic safety precautions should always be followed including the following:

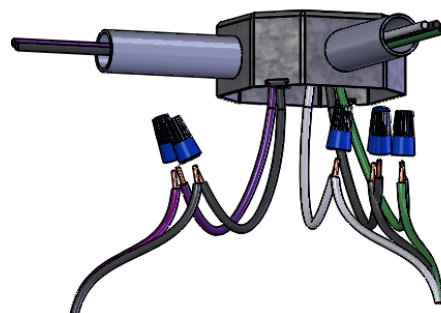
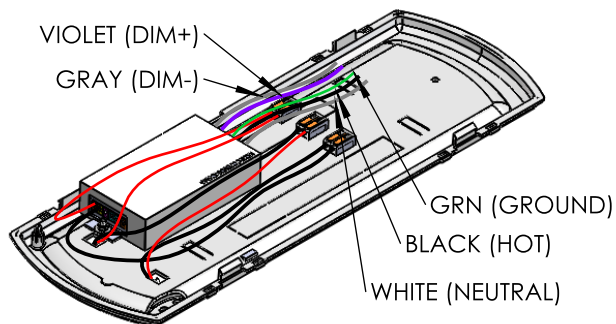
CAUTION! ALWAYS MAKE SURE THE POWER IS TURNED OFF before starting the installation.

1. Measure, locate fixture's position, and mark locations for the brackets.
2. Secure brackets to ceiling as shown below. (HARDWARE BY OTHERS)
3. Wiring fixture to power supply, shall be performed by a certified electrician, and wired in a manner that complies with all local and national electrical codes, as well as the manufacturer's wiring diagram.
4. Proper replacement of a part removed for user maintenance.



TEMPESTA T20 HT	
WATTAGE	22W
VOLTAGE	120-277V 50/60Hz
WET LOCATION	YES
OPERATION	HT (AC ONLY)
AMBIENT TEMPERATURE HT	-20°C(-4°F)/40°C(104°F)
WEIGHT	5 lbs
DIMENSION	17.0" X 6.7" X 3.0"

WIRING



0-10V LEAD / DALI

VIOLET.....(DIM +)
GRAY.....(DIM -)

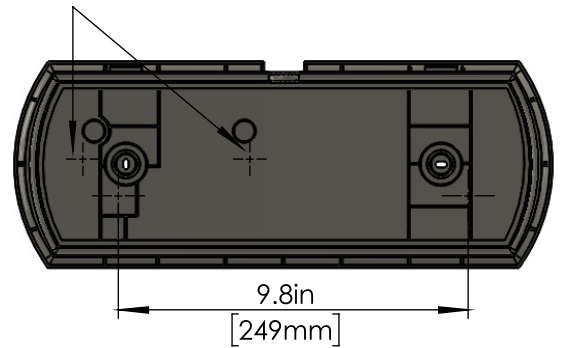
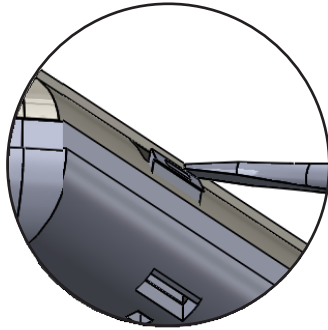
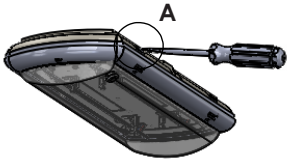
AC LEADS

BLACK..... (HOT)
WHITE.....(NEUTRAL)
GREEN..... (GROUND)

REMOVING LENS

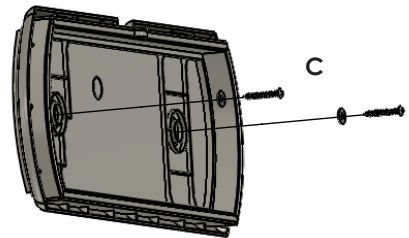
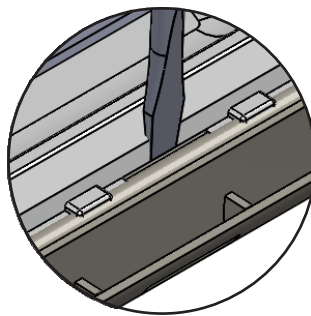
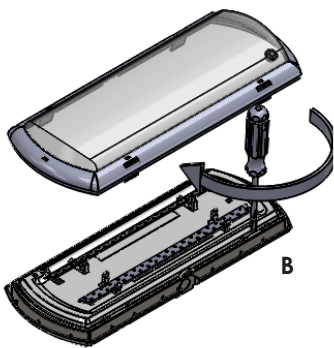
SURFACE MTG.
(HARDWARE BY OTHERS)

(2) 1/2" TRADE SIZE KNOCK-OUTS



A. Using a flat head screwdriver, push-in to release lock (repeat for 3 other clips).

REMOVING ELECTRICAL ASSEMBLY



B. Using a flat head screwdriver, twist to release lock (repeat for 3 other clips).

C. Install back plate on the wall at designated location (**hardware by others**).

MOUNTING ORIENTATIONS

WALL MOUNT LED ORIENTATION (23°/23°)

CEILING MOUNT LED ORIENTATION (145°/145°)

