

---

## INSTRUCTIONS

### IMPORTANT SAFEGUARDS

When using electrical equipment, basic safety precautions should always be followed including the following:

1. **READ AND FOLLOW ALL SAFETY INSTRUCTIONS**
2. Disconnect power before performing work on electrical equipment.
3. Do not let power cords touch hot surfaces and do not mount near gas or electric heaters.
4. Use caution when servicing batteries. Battery acid can cause burns to skin and eyes. If acid is spilled on skin or eyes, flush with fresh water and contact a physician immediately.
5. Equipment should be mounted in locations and at heights where unauthorized personnel will not readily subject it to tampering.
6. The use of accessory equipment not recommended by Beghelli Inc., may cause an unsafe condition, and will void the unit's warranty.
7. Do not use this equipment for other than its intended purpose.
8. Servicing of this equipment should be performed by qualified service personnel.
9. Allow battery to charge for 24 hours before first use.
10. **SAVE THESE INSTRUCTIONS!**

---

## INSTALLATION

### INSTALLATION OF PHOTOCELL / WALL SWITCH

1. The photocell function is only available for general lighting modes. When ambient illumination < 10 Lux the fixture will turn on automatically. When ambient illuminance >30 Lux, the fixture will turn off.
2. If you don't need the photocell function, remove the jumper cable connector and connect wall switch for general lighting (Figures 4 & 5)

### ELECTRICAL CONNECTIONS:

1. Verify the power is off before installation
2. Connect ground (green) lead to suitable ground.
3. Connect fixture common (white) lead to supply common (white) lead
4. Determine supply voltage for fixture. Connect hot lead (black for 120V or orange for 277V) to supply hot lead.
5. Cap unused fixture lead with wire nut.

### WALL MOUNT:

1. Remove top cover from back plate with a screwdriver. (Figure 1)
2. Remove knock out hole in the center of the back plate, remove knock out slots on the back plate that corresponds to the size of the junction box holes to be used.
3. Feed AC supply leads through the center hole in the back plate, and then make the proper electrical connections. See electrical connection section (Figure 1) for electrical connections. Cap off unused hot lead.
4. Mount back plate to junction box
5. Attach battery connector and align quick connector.
6. Snap top cover to back plate
7. Restore power and press the test button. The battery powered LED source will come on.

### WALL MOUNT WITH SURFACE FEED CONDUIT

1. Remove top cover from back plate with a screwdriver. (Figure 3)
2. Unscrew the pipe plug from top of back plate.
3. Secure back plate screw on the conduit (Figure 3)
4. Make the proper supply lead connections. See electrical connections section and Figure 3 for electrical connections. Cap off unused hot lead.
5. Attach battery connector and power connector.
6. Snap top cover to back plate.
7. Restore power and press the test button. The battery powered LED source will come on.

## INSTRUCTIONS FOR SELF-DIAGNOSTIC/SELF-TESTING FUNCTION

1. Install Emergency Lighting according to Installation Instructions,
2. As soon as AC power is supplied to fixture, the unit will automatically initiate a self-test and self-diagnostic test as follows:
  - a. Verifies battery disconnection, charger failure and transformer failure every 5 seconds.
  - b. One-minute self-testing (Battery discharging test) every month.
  - c. 30 minutes self-testing (battery discharging test) on the 6th month of the year.
3. Dual colour LED lamps shows the following status:
  1. Green colour (Operating status)  On / Ready  
 Blinking: Testing
  2. Red colour (Service alert)
  3. Service Alert LED Code (Red colour LED lamp)

•	One blink ON/pause (4 seconds)	Battery is not connected
••	Two blinks ON/pause (4 seconds)	Battery is shorted or battery voltage drops below than accepted value
•••	Three blinks ON/pause (4 seconds)	Charger board circuit fault
••••	Four blinks ON/pause (4 seconds)	Transformer fault

4. For manual test, press test button as follows:

Press test button once (within 2 seconds)	1 minute test
Press test button twice (within 2 seconds)	5 minute test
Press test button 3 times (within 2 seconds)	30 minute test
Press test button 4 times (within 2 seconds)	90 minute test

---

### CAUTION

After solving the fault of the emergency equipment, please press the test button for 2 seconds without release, then the LED lamp will show green colour.

**SAVE THESE INSTRUCTIONS**

Figure 1

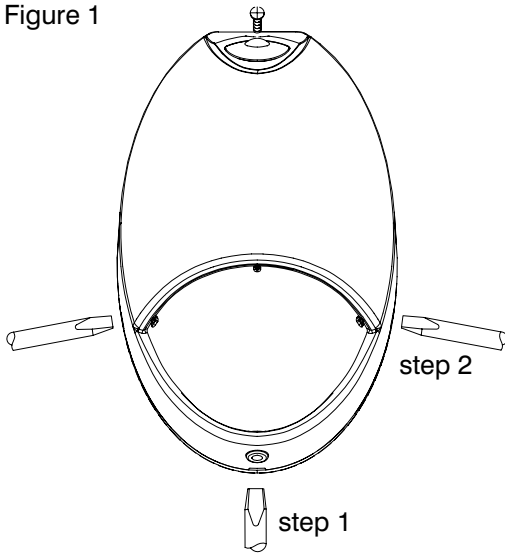


Figure 2

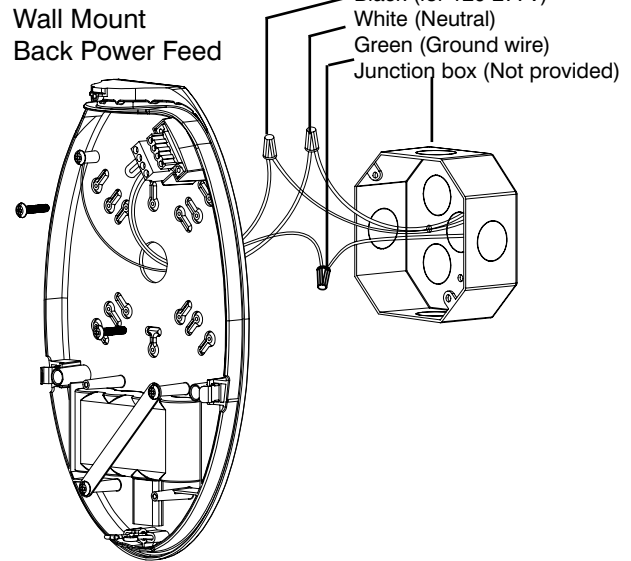


Figure 3

Wall Mount  
Top Power Feed

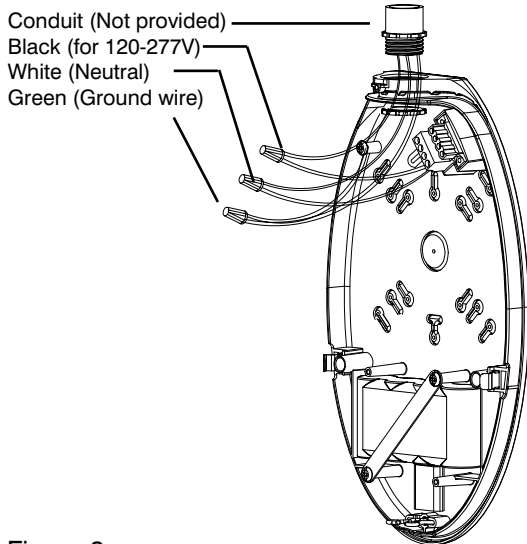


Figure 4

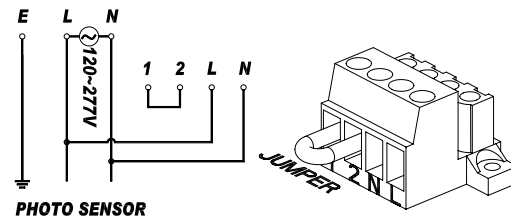


Figure 5

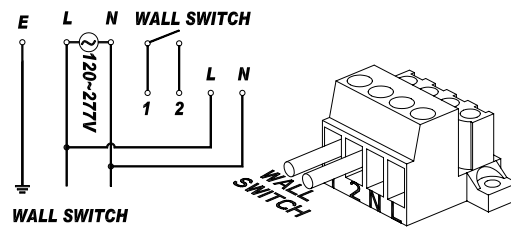
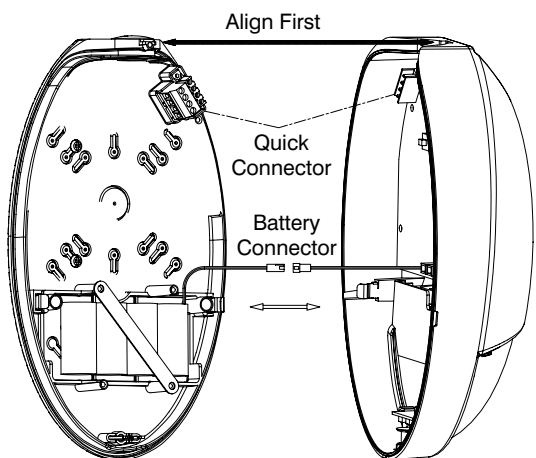


Figure 3



# INSTRUCTION OF CONNECTIONS FOR HEATER PAD

**Installation:**

- Figure 1: Heater pad introduce
- Figure 2: Installation battery to heater pad
- Figure 3: Installation heater pad
- Figure 4: 120V heater pad wiring diagram
- Figure 5: 277V heater pad wiring diagram

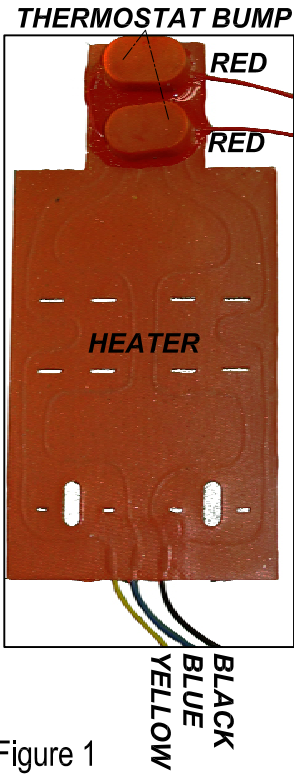


Figure 1

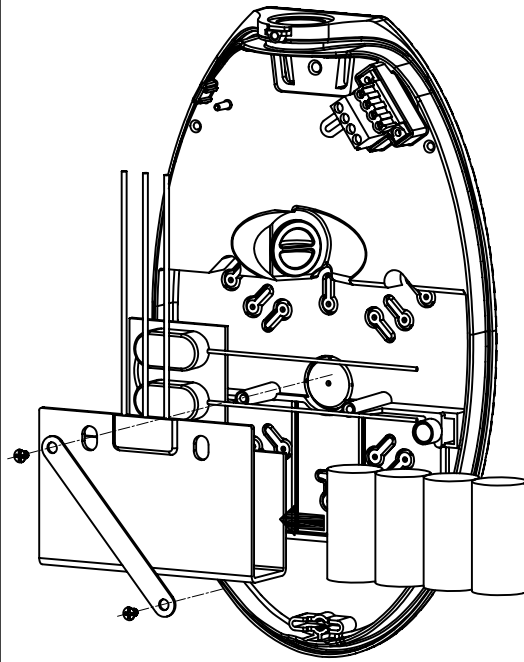


Figure 2

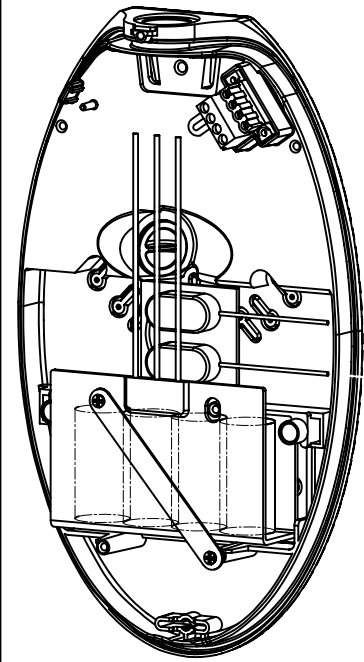


Figure 3

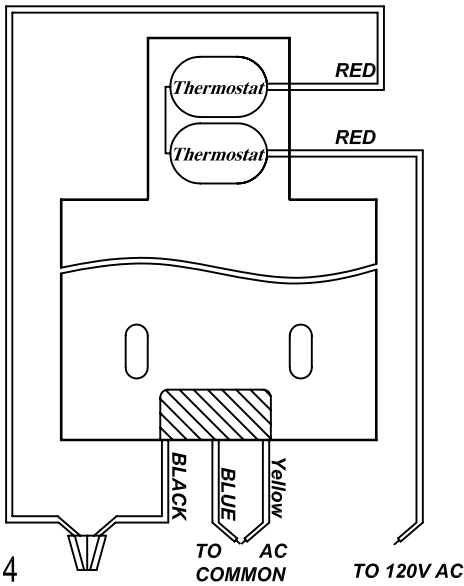


Figure 4

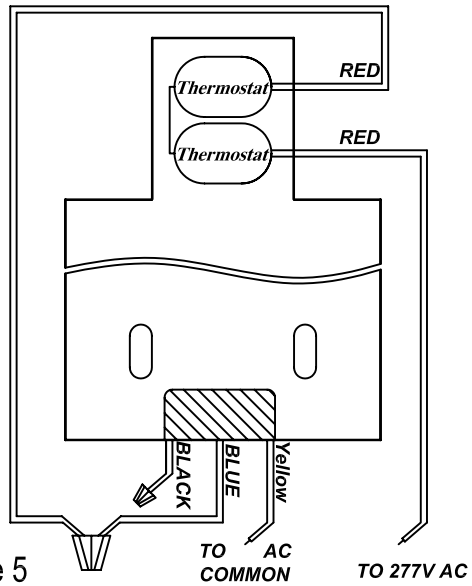


Figure 5