
INSTRUCTIONS

IMPORTANT SAFEGUARDS

When using electrical equipment, basic safety precautions should always be followed including the following:

1. **READ AND FOLLOW ALL SAFETY INSTRUCTIONS**
 2. Disconnect power before performing work on electrical equipment.
 3. Do not let power cords touch hot surfaces and do not mount near gas or electric heaters.
 4. Equipment should be mounted in locations and at heights where unauthorized personnel will not readily subject it to tampering.
 5. The use of accessory equipment not recommended by Beghelli Canada Inc., may cause an unsafe condition, and will void the unit's warranty.
 6. Do not use this equipment for other than its intended purpose.
 7. Servicing of this equipment should be performed by qualified service personnel.
 8. Consult building code for approved wiring and installation.
 9. **SAVE THESE INSTRUCTIONS!**
-

WALL MOUNT INSTALLATION:

1. Remove torx screws (1) to release cover. There are 4 O-rings (2) inserted to the clear cover screw holes.
 2. Remove the inside mounting plate (24) knockout applicable knockout holes in back plate (27). Install the gasket (30). Feed the lead wires through back plate then secure the back plate and housing to the wall. Connect wire per wiring diagram provided. Connect battery. **Caution! Failure to insulate unused wire may result in a shock hazard or unsafe condition as well as equipment failure.** Reinstall inside mount plate (24).
 3. Replace clear cover, torx screws, and O-rings.
 4. Apply power.
-

CEILING/END MOUNT INSTALLATION

1. Remove torx screws (1) to release cover. There are 4 O-rings (2) inserted to the cover screw holes.
 2. To install canopy kit (29), 3 knockout on the top (for ceiling mount) or the 3 knockout on the side (for end mount). Position canopy gasket (28) and the canopy (29). Install the cap screws (32) and the washers (16). Attach canopy nuts (15) and then tighten. Install the liquid tight (35) bushing. Install the canopy mounting base (31) to the octagon box (33) (not supplied). Connect wires per diagram provided. **Caution! Failure to insulate unused wire may result in a shock hazard or unsafe condition as well as equipment failure.** The mounting base can be rotated for the desired mounting angle. Install the canopy (29) to the mounting base (31) with the supplied screws (34). Feed the lead wires through the bushing and tighten to complete the liquid tight seal.
 3. Connect battery.
 4. Replace cover, torx screws, and O-rings.
 5. Apply power.
-

MAINTENANCE

The equipment is to be tested once a year in accordance with the code requirements. The equipment is to be repaired whenever the equipment fails to operate as intended during the duration test. Written records of test results and any repairs made must be maintained. Beghelli Canada Inc. strongly recommends compliance with these code requirements.

The lamps listed herein when used according to the instructions with this unit are in accordance with the requirements of CSA Standard C22.2, No. 141 – Unit Equipment for Emergency Lighting.

NOTE: The servicing of any parts should be performed by qualified service personnel only. The use of replacement parts not furnished by the manufacturer may cause equipment failure and will void the warranty.

WIRING DIAGRAM

CHARGER BOARD
STANDARD DUAL INPUT VERSION

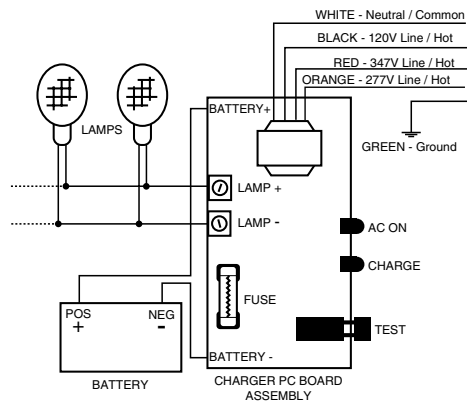


Figure 1

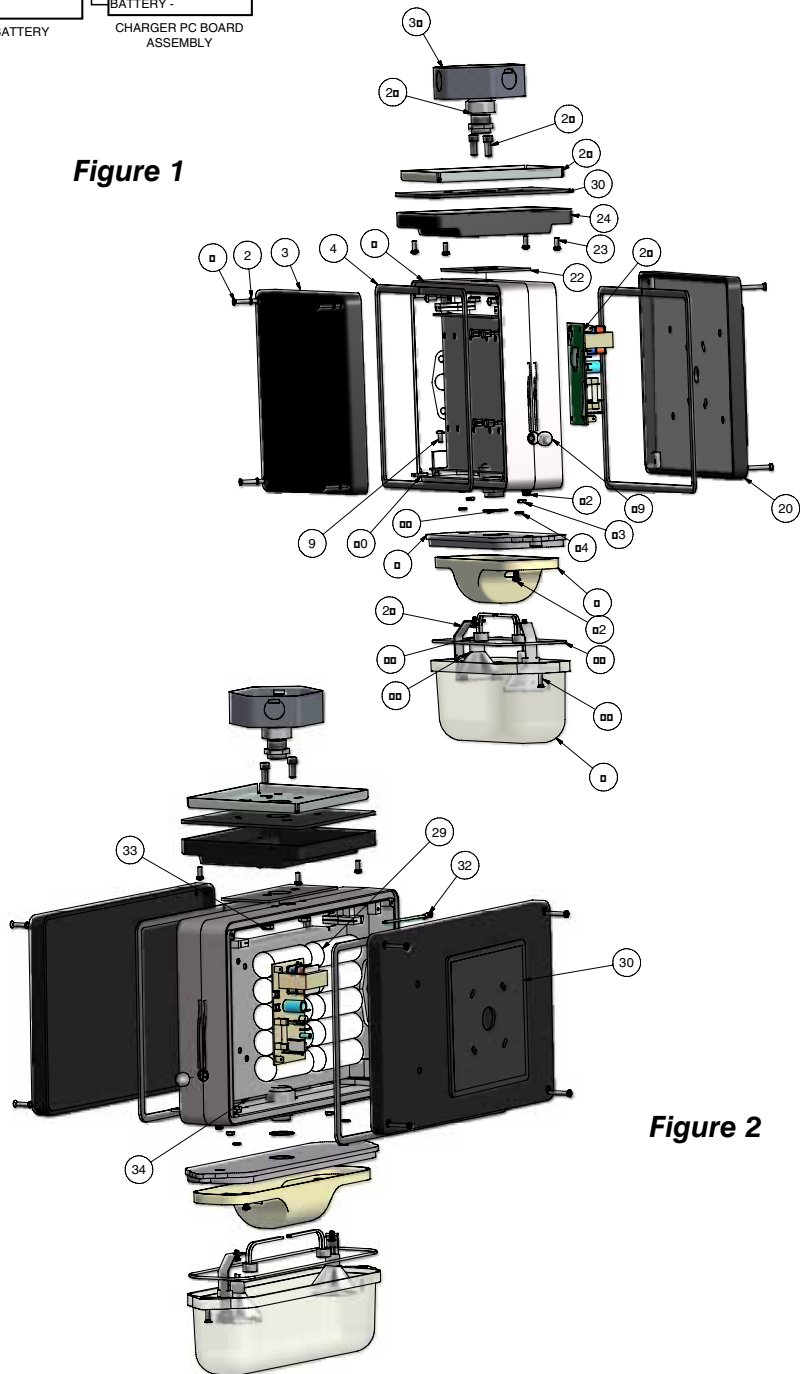


Figure 2

PARTS LIST

1. Torx tamper proof screw 8-32 x 1
2. "O" ring 1/16 wide x 5/32 ID x 9/32 OD
3. Stencil
4. Red fiber
5. Frame gasket
6. LED holder
7. LED light
8. Weld nuts
9. LED board
10. Circuit BRD support non adhesive base
11. Base
12. Torx tamper proof screw 8-32-1/2"
13. O ring 0.926 I.D.
14. Test switch
15. MR16 holder
16. MR16 lamps
17. Cover
18. Socket
19. Lens gasket
20. FTZ combo lens
21. Battery
22. Switch cover
23. FTZ frame
24. Inside mounting plate
25. Circuit board
26. Ground wire
27. FTZ back plate
28. Gasket for canopy to frame sealing
29. Canopy for maxim exit
30. Gasket
31. Mounting base for maxim canopy
32. Bushing
33. Octagon box(not supplied)
34. 8-32 x 1/2 inch oval head screw, Phillips