

Job/Location: _____
 Contractor: _____
 Prepared By: _____

Job Type: _____
 Date: _____



■ specifications: internal

The **Forma Combo** has a 120/277V input. The maintenance free, sealed nickel cadmium batteries provide a minimum 90 minutes of emergency duration. Upon power failure the internal solid state transfer switch automatically switches load from AC to DC operation. Fully automatic solid-state, two-rate charger initiates battery charging to recharge battery within 24 hours.

■ specifications: external

The **Forma Combo** is designed to provide a durable and attractive life safety solution. The **Forma Combo** is manufactured from sturdy die-cast aluminum and comes standard with a brushed aluminum face and black housing. Other housing and faceplate color options are available. A universal mounting canopy is included for ceiling and end mount installations. Indoor / damp location rated. Meets UL924, NFPA 101 Life Safety Code, NEC, OSHA, Local and State Codes.

■ specifications: mechanical

The **Forma Combo** is constructed from durable die-cast aluminum. Universal mounting pattern and key hole slots are stamped on the back. Field removable directional chevrons are standard. The **Forma Combo** is supplied standard with a brushed aluminum curved face(s) and a black powder coated housing. Other housing and faceplate color options available.

■ ordering logic

Series	LED	Face No.	Housing	Faceplate	Options
FRM-C	LR (Red)	1 (single)	B (black)	B (black)	RC ¹ (remote capable)
	LG (Green)	2 (double)	BA (brushed aluminum)	BA (brushed aluminum)	BPG-5 ² (wireguard)
		U (universal)	W (white)	W (white)	

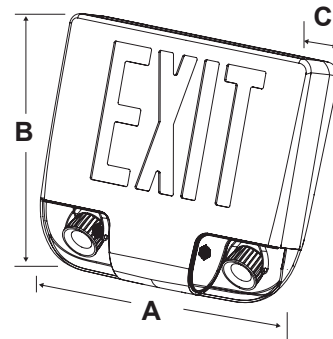
NOTE 1: Remote capable: 3W max. BRH remotes recommended.
 NOTE 2: Order as separate line item. Available for wall mount only.

EX: FRM-C-LR-2-B-BA
 DESCRIPTION: Forma combo, red LED, double face, black housing, brushed aluminum face.

■ specifications: battery

The **Forma Combo** is designed with a maintenance free 8.4V NiCd battery providing a minimum emergency duration of 90 minutes. Recharge time of the battery is twenty-four [24] hours. The battery operating temperature is 0°C to 50°C.

■ dimensions (in, mm)



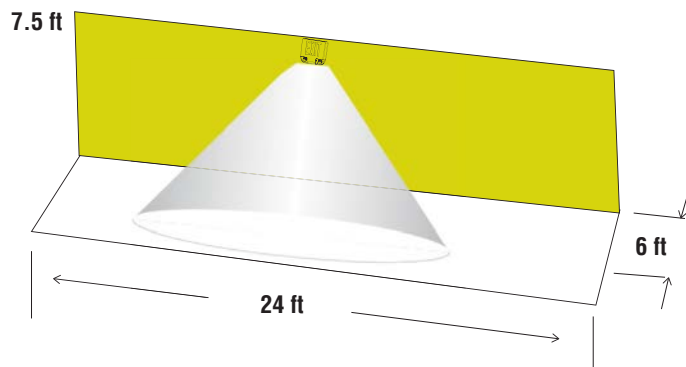
Series A	A	B	C
FRM-C	12 ^{1/2} " 317.5mm	11 ^{3/4} " 298.45mm	2 ^{3/8} " 60.3mm

■ electrical information

Series A	Input Watts(W)		Input Amps(A)	
	120V	277V	120V	277V
FRM-C	4.6	4.8	0.053	0.024

■ performance

- 3W LED x 2
- 172 lumens in emergency mode
- Min: 0.03
- Max: 2.67
- Average: 0.70



Meets NFPA 101 Requirements for: 21' center-to-center spacing - 4' path of egress 0' from wall - 7 1/2' mounting height

■ emergency heads

The **Forma Combo** is supplied with two [2] bottom mounted 3W MR16 LED lamps. The lamps are enclosed within a polycarbonate lens that offers superior optical performance and protection.

■ warranty

The **Forma Combo** comes with a 3-year factory warranty. Deliberate damage, misuse, improper installation effectively cancel the warranty.