

INSTRUCTIONS

IMPORTANT SAFEGUARDS:

When using electrical equipment, basic safety precautions should always be followed, including the following:

1. Do not use outdoors.
2. Do not let power supply cords touch hot surfaces.
3. Do not mount near gas or electrical heaters.
4. Equipment should be mounted in locations and at heights where it will not readily be subjected to tampering by unauthorized personnel.
5. Use caution when servicing batteries. Battery acid can cause burns to skin and eyes. If acid is spilled on skin or eyes, flush acid with fresh water and contact a physician immediately.
6. The use of accessory equipment not recommended by the manufacturer may cause an unsafe condition. Any modification or use of non-original components will void the warranty and product liability.
7. Do not use this equipment for other than intended use.
8. Servicing of this equipment should be performed by qualified service personnel only.
9. Disconnect AC power supply before servicing.
10. Unpack and check for concealed transit damage.
11. Report any transit damage to delivering carrier and file claim.



INSTALLATION

WARNING:

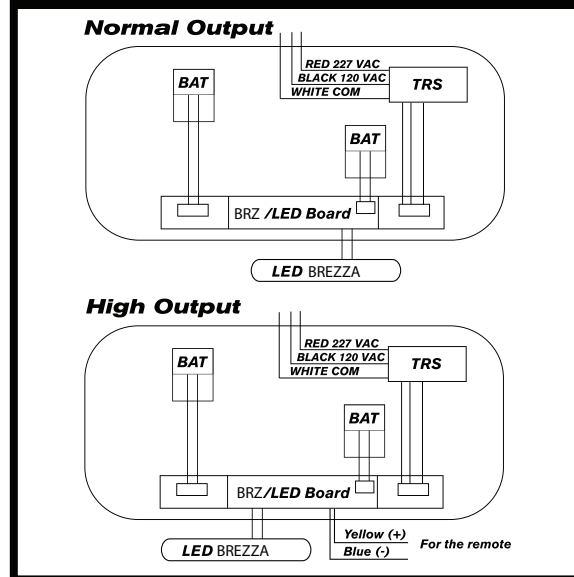
MAKE SURE THAT POWER IS OFF BEFORE MAKING ANY ELECTRICAL CONNECTIONS!

ELECTRICAL CONNECTION

- WHITE: Return for 120VAC or 277VAC wiring
- BLACK: Hot lead for 120VAC wiring
- RED/ORANGE: Hot lead for 277VAC wiring

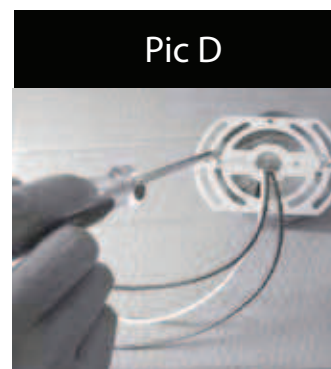
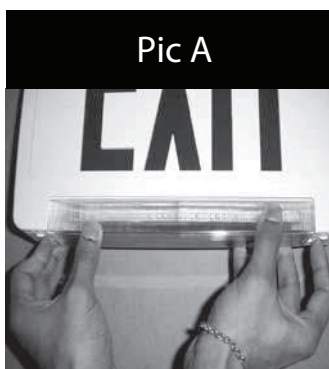
1. Make sure that all wires are carefully tucked away from the cavity behind the plastic inset.
2. Plug the mating connector of the battery to the BRZ board.
3. Unused wires must be capped using enclosed wire nuts.

WIRING DIAGRAM



SAVE THESE INSTRUCTIONS

INSTALLATION



Canopy Mounting (Top or End-Mount)

1. Start with pulling out the clear lens on the bottom of the unit. The lens snaps out quite easily. Refer to picture A.
2. Simply pop the face plate off. Pushing in the snap-in clips on the housing and pulling away the plate should help accomplish this. Refer to picture B.
3. Remove and set aside the mounting hardware kit. Pull out the mounting hole cover from the top or side of the sign. Feed the AC supply wires through the mounting hole and out of the housing.
4. Secure (snap in) the canopy to the housing, through the mounting cover hole. The AC supply wires need to be redirected through the hole on the canopy. Refer to picture C.
5. Determine the position the exit needs to be mounted (the way the face needs to be pointed). Use the included J-Box mounting plate and screws to accomplish this. Refer to Picture D.
6. Make connection with AC supply wires in the J-Box as described in the electrical connection section of this instruction sheet.
7. Now mount the sign to the J-Box plate with the screws provided and tighten securely.
8. Remove the proper chevron(s) from the exit legend(s) if necessary.
9. Attach battery jumper wire to BRZ board and replace face plate back on unit, and snap the clear lens back on to complete installation.

Flush mounting (Back Mount)

1. Start with pulling out the clear lens on the bottom of the unit. The lens snaps out quite easily. Refer to picture A.
2. Simply pop the face plate off. Pushing in the snap-in clips on the housing and pulling away the plate should help accomplish this. Refer to picture B.
3. Remove and set aside the mounting hardware kit. Remove the center KO and also the requested KOs that will match the junction box.
4. Route the wires through the center knock-out. Make electrical connections inside the junction box as described in the electrical connection section of this instruction sheet. Push wires back against the back of the sign to minimize any of the wires interfering with the illumination of the letters.
5. Now mount the sign to the J-Box.
6. Remove the proper chevron(s) from the EXIT legend(s) if necessary.
7. Attach battery jumper wire to BRZ board and replace face plate back on unit, and snap the clear lens back on to complete installation.

Removing Chevrons

1. Snap out the colored lens from the back of the faceplate.
2. Push out the required chevrons from the sign.

Note:

The LED Brezza on the bottom of the unit can be rotated to set the direction of the light output. To do this, use a flat screwdriver and turn the knob (next to the test switch) on the side of the unit.

SAVE THESE INSTRUCTIONS