

SCALA



STAIRWELL LED

- **SCALA** is **DesignLights Consortium®** qualified for stairwells and passageways and is designed to meet all stairwell lighting requirements while providing an energy saving solution.
- **DIFFUSER:** Frosted UV stabilized polycarbonate diffuser, providing even light distribution.
- **SMART TECHNOLOGY:** The **SCALA** incorporates bi-level dimming controlled by a passive infrared sensor to provide safe and dependable illumination during occupied times while adjusting levels down when unoccupied.
- **LUMENS:**
 - LO: 3876 up to 4635 lm
 - MO: 5176 up to 6172 lm
 - HO: 6466 up to 7716 lm
- **POWER FACTOR** > 0.95
- **TOTAL HARMONIC DISTORTION (THD)** < 20%
- **OPERATING TEMP:** HT (AC Only) -40°F to 104°F (-40°C to 40°C)
SA (AC & Emergency) 32°F to 104°F (0°C to 40°C)
- **WEIGHT:** 5 lbs. / 2.27 kg



APPLICATION: The **SCALA** is a perfect solution for stairwells and other low-occupancy areas such as storage facilities, restrooms, corridors, laundry rooms, and maintenance areas.

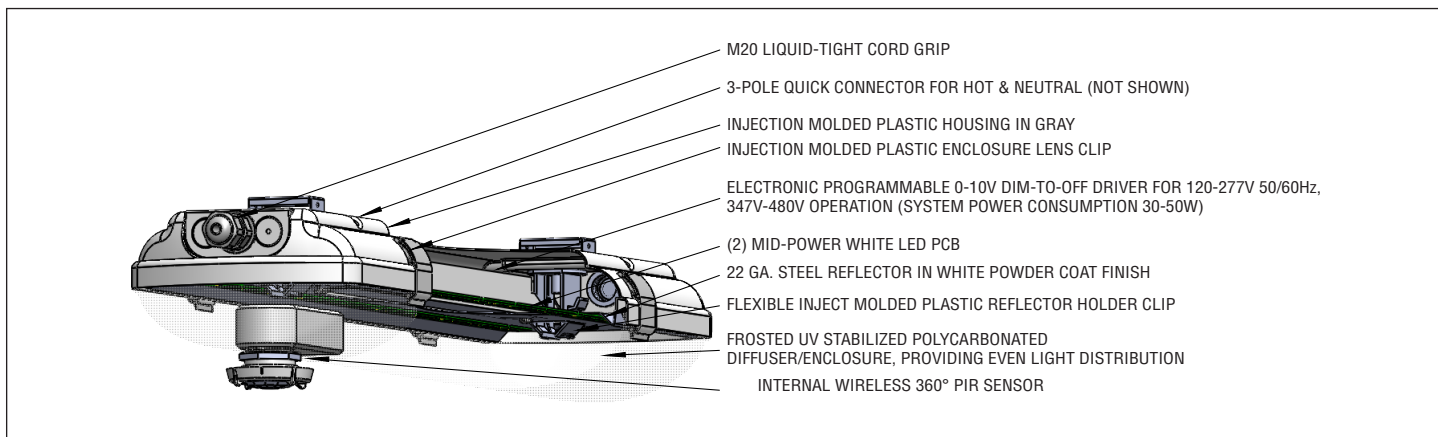
CONFIGURATIONS

MODEL	LENGTH	OPERATION	LUMENS	COLOR TEMP	INPUT	MOUNTING	OPTIONS
SCA	2 (ft)	HT (AC only)	LO	WT30 (3000K)	120-277V	AC ² (aviation cable)	BLK ⁷ (black housing)
		SA (AC&EM) ¹	MO	WT40 (4000K)	347-480V	CH ³ (chain hang kit)	WHT ⁷ (white housing)
			HO	WT50 (5000K)		DPK ³ (double pendant kit)	CRD ⁸ (black, 18AWG, 3-conductor cord)
						JM ⁴ (junction mount)	D (dali)
						MM ⁵ (magnet mount)	FA ⁹ (fully assembled)
						PM (pivot mount)	FP (fuse protection - 3A)
						QMB ⁶ (quick mount bracket)	SP (surge protection - 10KA)
						SPK ³ (single pendant kit)	SS (stainless steel clips)
						SVLSPK ³ (swivel single pendant kit)	TPS (tamper proof stainless steel screws)
						SVLDPK ³ (swivel double pendant kit)	
						TM ³ (trunion mount)	

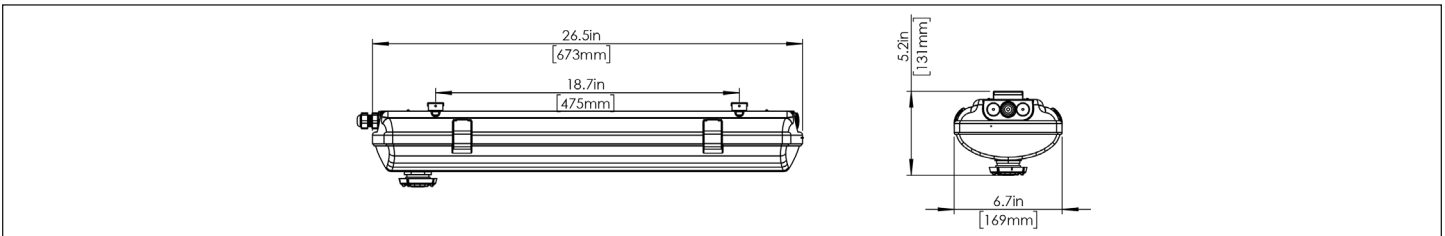
NOTE 1: Title 20 field installation emergency pack 120-277V, 7W/1022 lm.
 NOTE 2: Specify length for AC: 50", 72", 100", 150", 250" fully adjustable.
 NOTE 3: SPK, DPK, CH, TM, SVLDPK & SVLSPK options must specify length.
 NOTE 4: JM option - the unit is no longer wet location, but damp location.
 NOTE 5: Magnetic mounts must be installed to steel beam measuring minimum 3/16" (4.7mm) thick.

NOTE 6: QMB must be used with JM.
 NOTE 7: Contact Factory
 NOTE 8: Specify length for CRD.
 NOTE 9: Includes latches and grommets installed at the factory. Can be combined with the JM option.
 NOTE: Surface mount is standard.

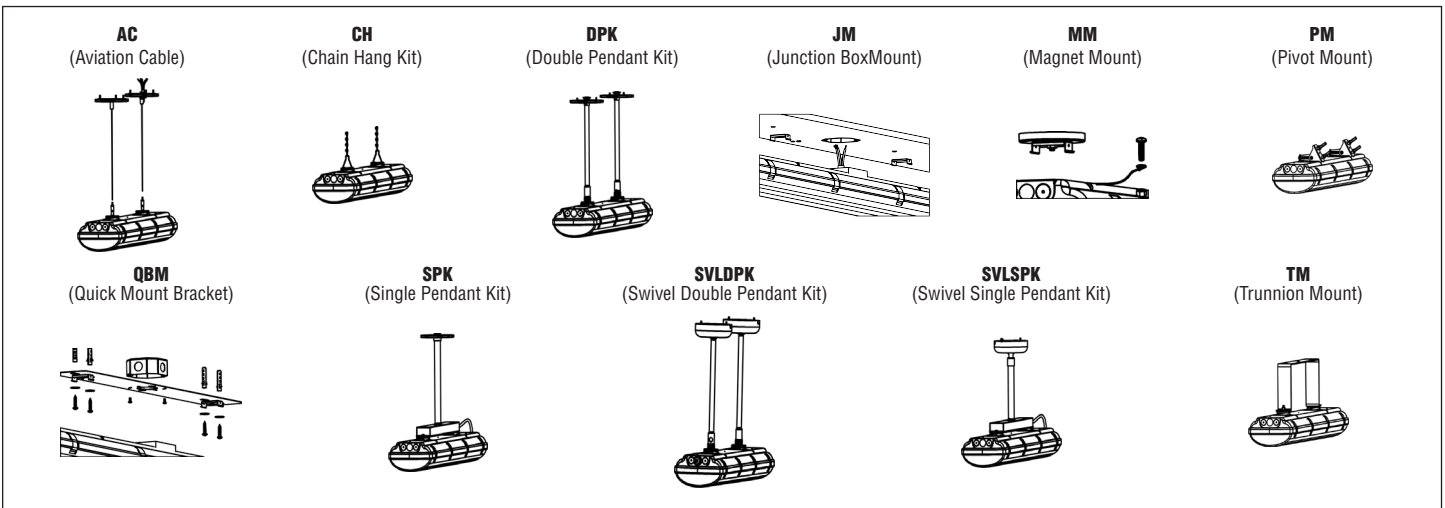
TECHNICAL INFORMATION



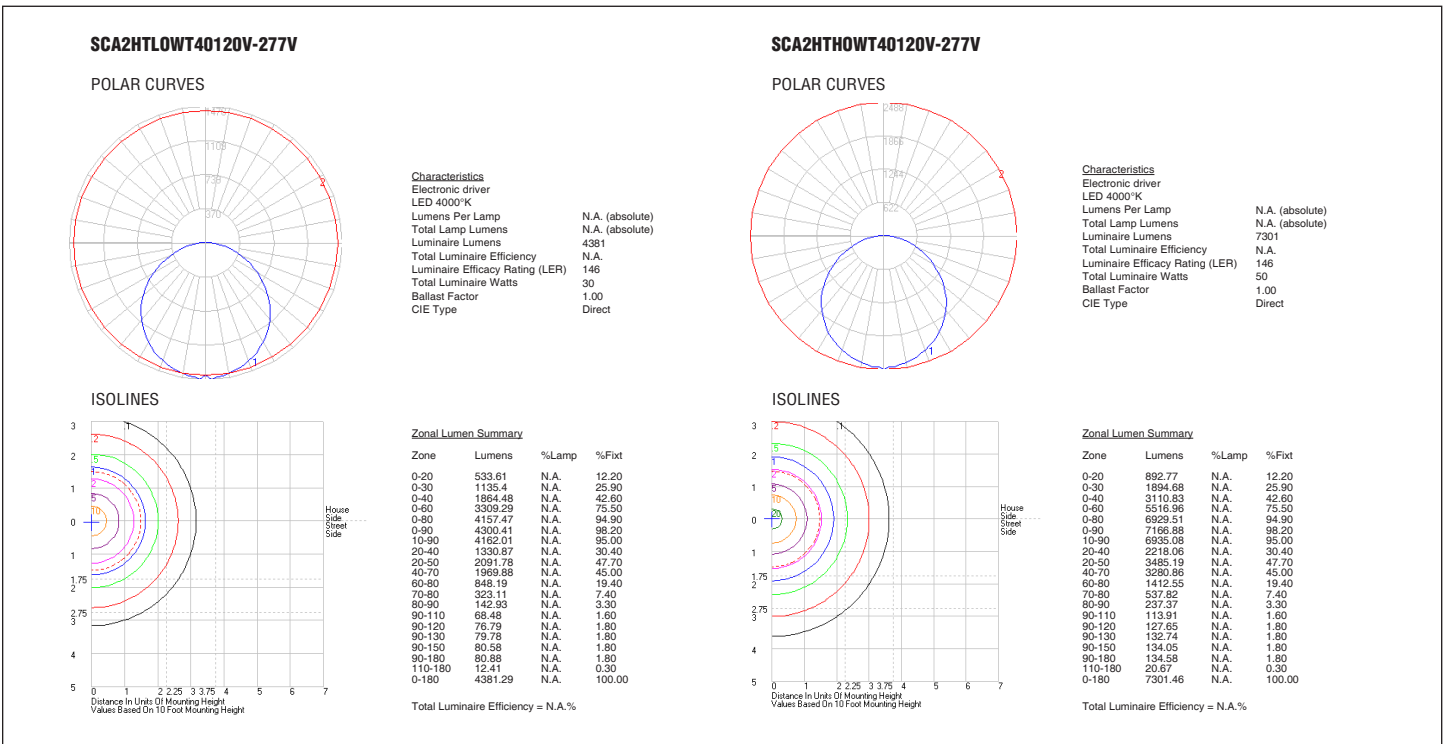
DIMENSIONS



MOUNTING OPTIONS



PHOTOMETRICS



SCALA

ENERGY CHART

MODEL	LENGTH	EFFICACY	CONSUMPTION WATTAGE	LUMEN OUTPUT	CRI	L70 (hrs) (TESTED)	L70 (hrs) (PROJECTED)
SCA-2HT-LO-WT30-120-277V	2 ft	129 lm/W	30	3876	>80	>60,000	>100,000
SCA-2HT-LO-WT40-120-277V	2 ft	146 lm/W	30	4381	>80	>60,000	>100,000
SCA-2HT-LO-WT50-120-277V	2 ft	154 lm/W	30	4635	>80	>60,000	>100,000
SCA-2HT-HO-WT30-120-277V	2 ft	129 lm/W	50	6466	>80	>60,000	>100,000
SCA-2HT-HO-WT40-120-277V	2 ft	146 lm/W	50	7301	>80	>60,000	>100,000
SCA-2HT-HO-WT50-120-277V	2 ft	154 lm/W	50	7716	>80	>60,000	>100,000

ELECTRICAL RATING

PRODUCT	NOMINAL POWER (W)	AC CURRENT (A)		FREQUENCY (HZ)	DC VOLTAGE (V)	DC CURRENT (MA)
		AC VOLTAGE				
		120V	277V			
SCA-2HT-LO	30	0.26	0.11	50/60	45	600
SCA-2HT-MO	40	0.34	0.15	50/60	45	800
SCA-2HT-HO	50	0.43	0.18	50/60	45	1000

DIMMER COMPATIBILITY

DIMMER	COMPATABILITY DIMMING	
LEVITON - AWRMG - 7	YES	YES
LUTRON - DIVE - DVSTV	YES	YES
LUTRON - DIVE - DVTV	YES	YES
WATT STOPPER DCLV1	YES	YES

■ **WARRANTY:** 5 years, see website for full warranty details.