

Job/Location: _____
 Specifier: _____
 Prepared By: _____

Job Name: _____
 Date: _____



internal specifications

Pluraluce® HAZARDOUS REMOTE is configured for 12-24VDC.

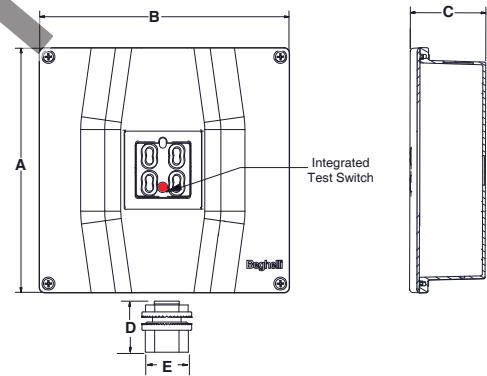
external specifications

The compact NEMA 4X design of the Pluraluce® HAZARDOUS REMOTE is fully gasketed for protection against wet and dust-filled environments. The die-cast aluminum cover comes standard in a grey powder coat with optional painted or brushed finishes. Housing design acts as a large heat sink ensuring efficient thermal management and long operating life of the LEDs.

led technology

The Pluraluce® HAZARDOUS REMOTE is illuminated with four 2.5W Samsung LEDs. The Pluraluce® HAZARDOUS REMOTE delivers between 782 lm - 845 lm. Each pair of LEDs are laid out in parallel on the LED module so if one pair fails, the other will remain illuminated. The LEDs are rated for >54,000 hours at L80.

dimensions (in,mm.)



Series	A	B	C	D	E
PL-HZ-RMT	7 1/20"	7 1/5"	2 9/50"	1 11/32"	1 7/16"
	179mm	183mm	55mm	34mm	36mm

HAZARDOUS RATING

- Class I Div 2, Groups A-D
- Class II Div 2, Groups E-G
- Class III

ordering logic

Series	Operation	Options
PL-HZ	RMT (12-24VDC)	CC (custom color - specify) BA (brushed aluminum finish) B (black finish) TP (tamper proof screws) WG (wire guard)

EXAMPLE: PL-HZ-RMT

DESCRIPTION: Pluraluce® HAZARDOUS REMOTE, 12-24VDC LED, GREY FINISH

optics

The **Pluraluce® HAZARDOUS REMOTE** is supplied with three (3) optical grade clear polycarbonate lenses. The symmetrical ceiling distribution pattern is ideal for use in open areas with spacing of up to 46.5' on center. The asymmetrical ceiling distribution pattern is designed for use in corridors with spacing of up to 60' on center. The asymmetrical wall distribution pattern provides 55' on center with a 6' wide path of egress. HT and SA models come standard with frosted lenses.

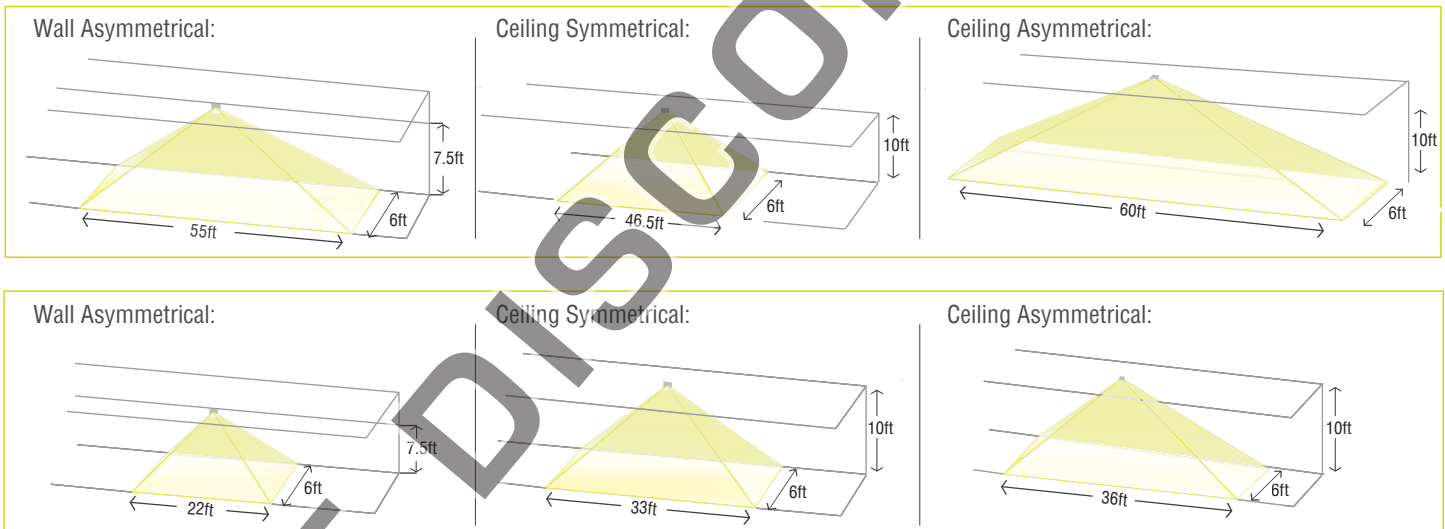
fcc

This device complies with part 15 of the FCC Rules. Operation is subject to the following two conditions: (1) This device may not cause harmful interference, and (2) this device must accept any interference received, including interference that may cause undesired operation.

optical lens distribution patterns

1. Corridor dimensions: 150' long, ceiling height - 10', width - 6'.
2. Path of egress 3' wide.
3. Room reflectance: 80/50/20
4. For wall mounted option, fixture height will be at 7.5'.

1FC AVERAGE



installation

The **Pluraluce® HAZARDOUS REMOTE** is rated for hazardous environments requiring Class I Div 2, Groups A-D, Class II Div 2, Groups E-G and Class III, T4. It is suitable for surface wall or ceiling mounting. The operating temperature is from -22°F up to 104°F (-30°C up to 40°C).

warranty

The **Pluraluce® HAZARDOUS REMOTE** comes with a 3-year factory warranty. Deliberate damage, misuse, improper installation effectively cancel the warranty.