

PLANEX® ECO



FLAT PANEL LED - 2x4

- The **PLANEX® ECO** is DLC Premium certified and is offered in 80 CRI with color temperatures from 3500K - 5000K.
- The **PLANEX® ECO** back-lit flat panel features an integrated driver that reduces the overall dimensions.
- **HOUSING:** Aluminum frame with steel housing backplate. Earthquake clips are provided standard for secure installation in grid ceilings.
- **DIFFUSER:** UV PMMA diffuser provides even light distribution, efficiency and longevity.
- **POWER FACTOR:** > 0.9
- **TOTAL HARMONIC DISTRIBUTION (THD):** <20%
- **LUMENS:** Up to 7,442 lm @ 131-135 lm/W
- **OPERATING TEMP:**
 - HT (AC Only) -4°F to 104°F (-20°C to 40°C)
- **WEIGHT:** 9 lbs / 4.08 kg



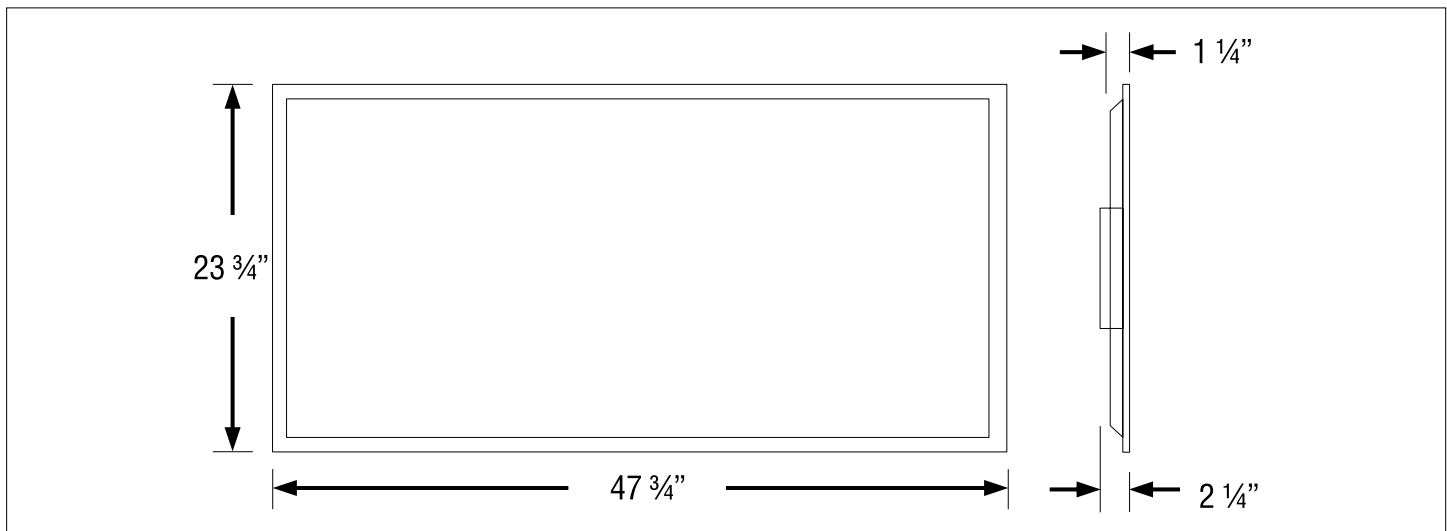
APPLICATION: The **PLANEX® ECO** is ideal for installations in healthcare, offices, banks, retail, hotels, restaurants and schools.

CONFIGURATIONS

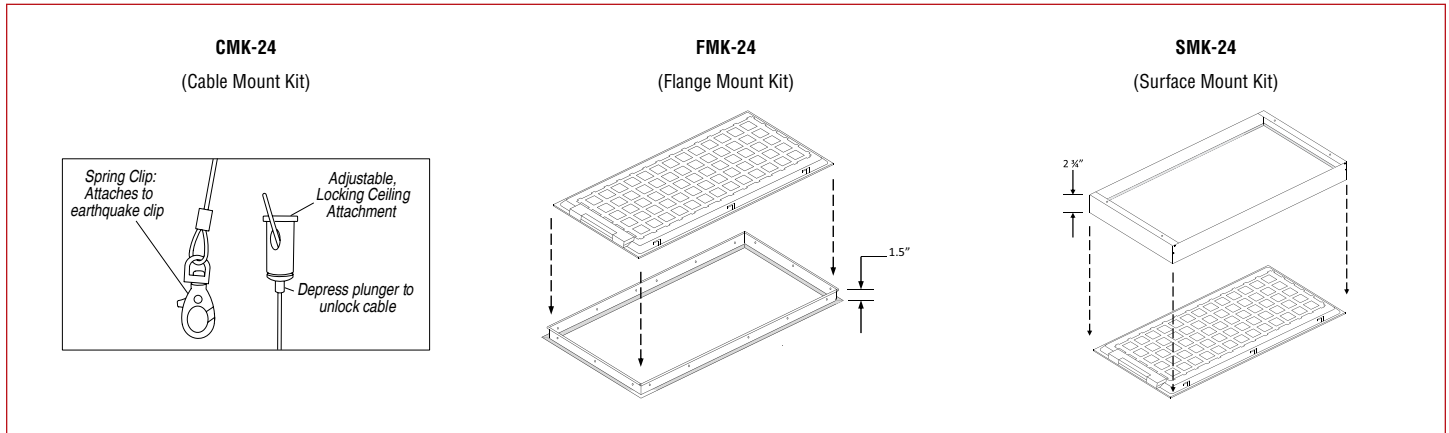
MODEL	SIZE	OPERATION	OUTPUT	COLOR TEMP	INPUT	OPTIONS	MOUNTING
PLX-E-B	24 (2x4)	HT (AC only)	HO (40W)	WT35 (3500K)	120-277V	EM-CEC (CEC approved emergency driver)	GMK-24 (cable mount kit)
		SA ¹ (AC & EM)	VHO (55W)	WT40 (4000K)		FW6 (flex whip - 18 5/6 ft)	FMK-24 (flange mount kit)
				WT50 (5000K)			SMK-24 (surface mount kit)

NOTE 1: SA & EM-CEC Integrated Emergency Pack; 1600 lm.
NOTE: Grid ceiling mount is standard.

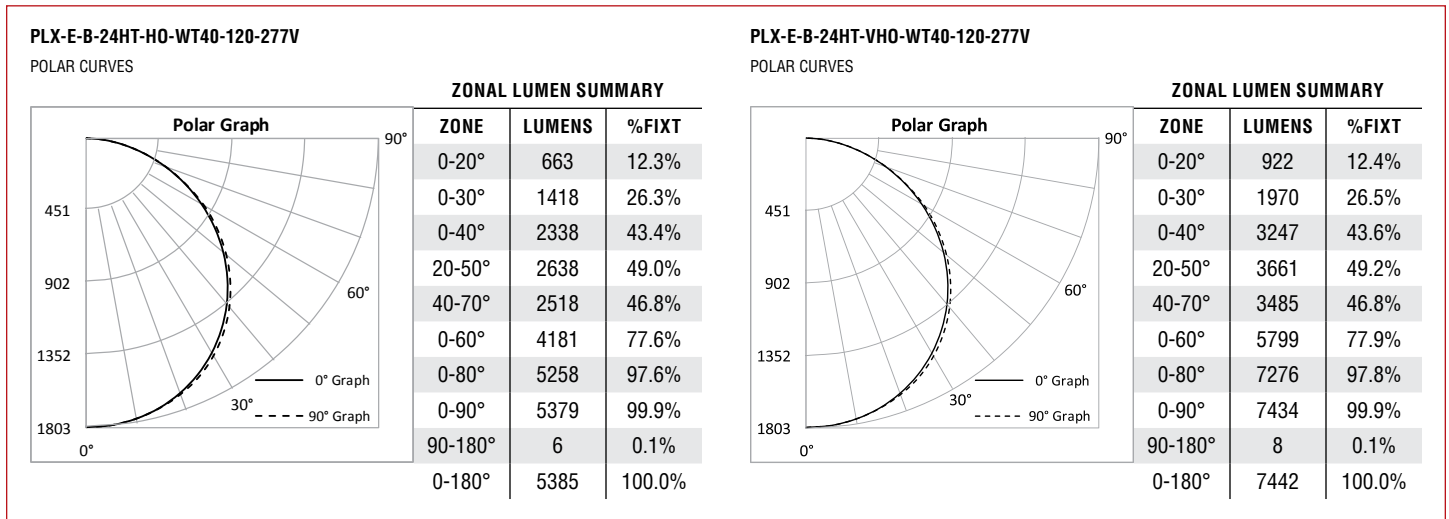
DIMENSIONS



MOUNTING OPTIONS



PHOTOMETRICS



ENERGY CHART

MODEL	SIZE	EFFICACY	CONSUMPTION WATTAGE	LUMEN OUTPUT	CRI	L70 (HRS)
PLX-E-B-24-HT-HO-WT35-120-277V	24 (2x4)	131 lm/W	40	5,274	>80	>144,000
PLX-E-B-24-HT-HO-WT40-120-277V	24 (2x4)	132 lm/W	40	5,330	>80	>144,000
PLX-E-B-24-HT-HO-WT50-120-277V	24 (2x4)	134 lm/W	40	5,385	>80	>144,000
PLX-E-B-24-SA-VHO-WT35-120-277V	24 (2x4)	131 lm/W	55	7,217	>80	>144,000
PLX-E-B-24-SA-VHO-WT40-120-277V	24 (2x4)	133 lm/W	55	7,330	>80	>144,000
PLX-E-B-24-SA-VHO-WT50-120-277V	24 (2x4)	135 lm/W	55	7,442	>80	>144,000

PLANEX® ECO

ADDITIONAL INFORMATION

ELECTRICAL RATING

DIMMER COMPATIBILITY

PRODUCT	NOMINAL POWER (W)	AC CURRENT (A) AC VOLTAGE			FREQUENCY (HZ)	DIMMER	COMPATABILITY	
		120V	240V	277V			ON/OFF	DIMMING
PLX-E-B-24-HT-HO	40	0.33	0.17	0.14	50/60	LUTRON - DVSTV	YES	YES
PLX-E-B-24-HT-VHO	55	0.46	0.23	0.20	50/60	LEVITON - IP710-LFZ	YES	YES
						GENERAL PROTECHT - DMD-LED3-102	YES	YES

■ **WARRANTY:** 5 years, see website for full warranty details.