

PLANEX® ECO



FLAT PANEL LED - 2x2

- The **PLANEX® ECO** is DLC premium certified and offered in 80 CRI with color temperatures from 3500K - 5000K.
- The **PLANEX® ECO** back-lit flat panel features an integrated driver that reduces the overall dimensions.
- **HOUSING:** Aluminum frame with steel housing backplate. Earthquake clips are provided standard for secure installation in grid ceilings.
- **DIFFUSER:** UV PMMA diffuser provides even light distribution, efficiency and longevity.
- **POWER FACTOR:** > 0.9
- **TOTAL HARMONIC DISTRIBUTION (THD):** <20%
- **LUMENS:** Up to 4,293 lm @ 129-134 lm/W
- **OPERATING TEMP:**
 - HT (AC Only) -4°F to 104°F (-20°C to 40°C)
- **WEIGHT:** 5 lbs / 2.27 kg



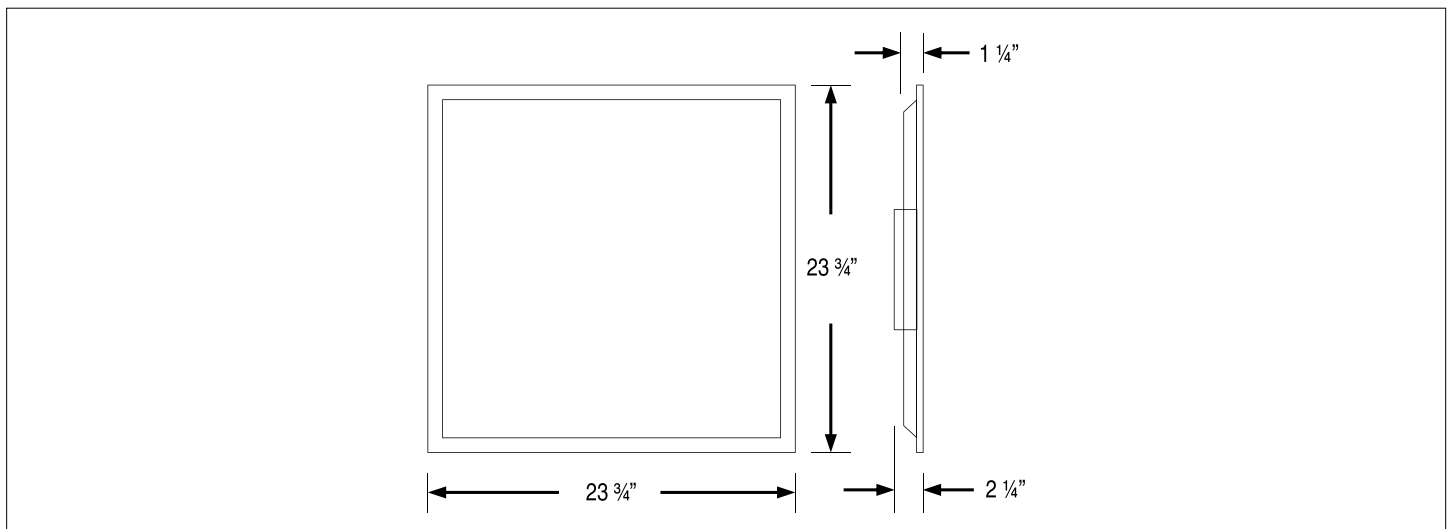
APPLICATION: The **PLANEX® ECO** is ideal for installations in healthcare, offices, banks, retail, hotels, restaurants and schools.

CONFIGURATIONS

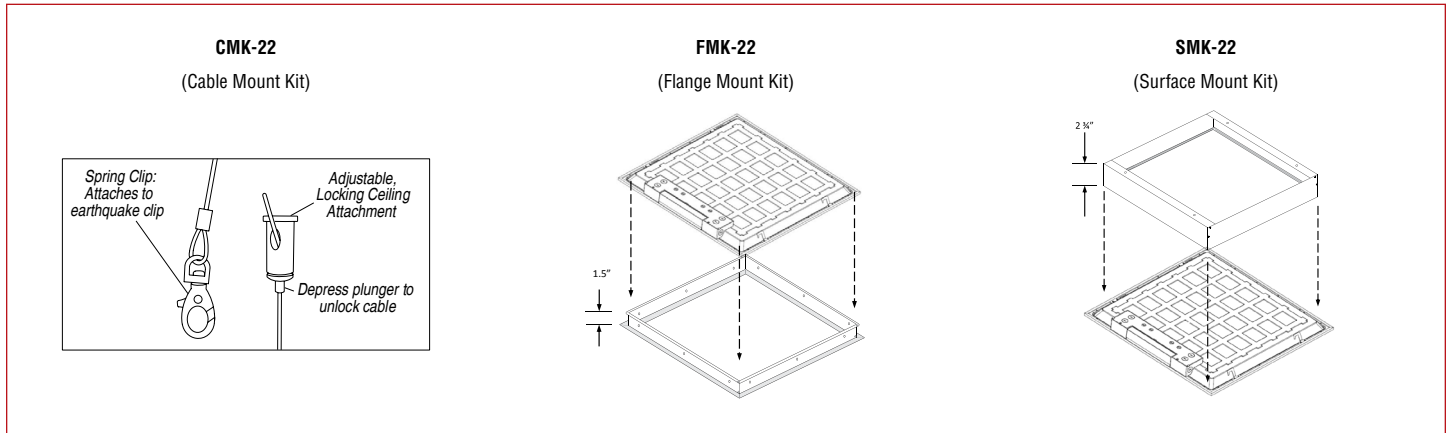
MODEL	SIZE	OPERATION	OUTPUT	COLOR TEMP	INPUT	OPTIONS	MOUNTING
PLX-E-B	22 (2x2)	HT (AC only)	HO (32W)	WT35 (3500K)	120-277V	EM-CEC (CEC approved emergency driver)	GMK-22 (cable mount kit)
		SA ¹ (AC & EM)		WT40 (4000K)		FW6 (flex whip - 18 5/6 ft)	FMK-22 (flange mount kit)
				WT50 (5000K)			SMK-22 (surface mount kit)

NOTE 1: SA & EM-CEC Integrated Emergency Pack; 1200 lm.
NOTE: Grid ceiling mount is standard.

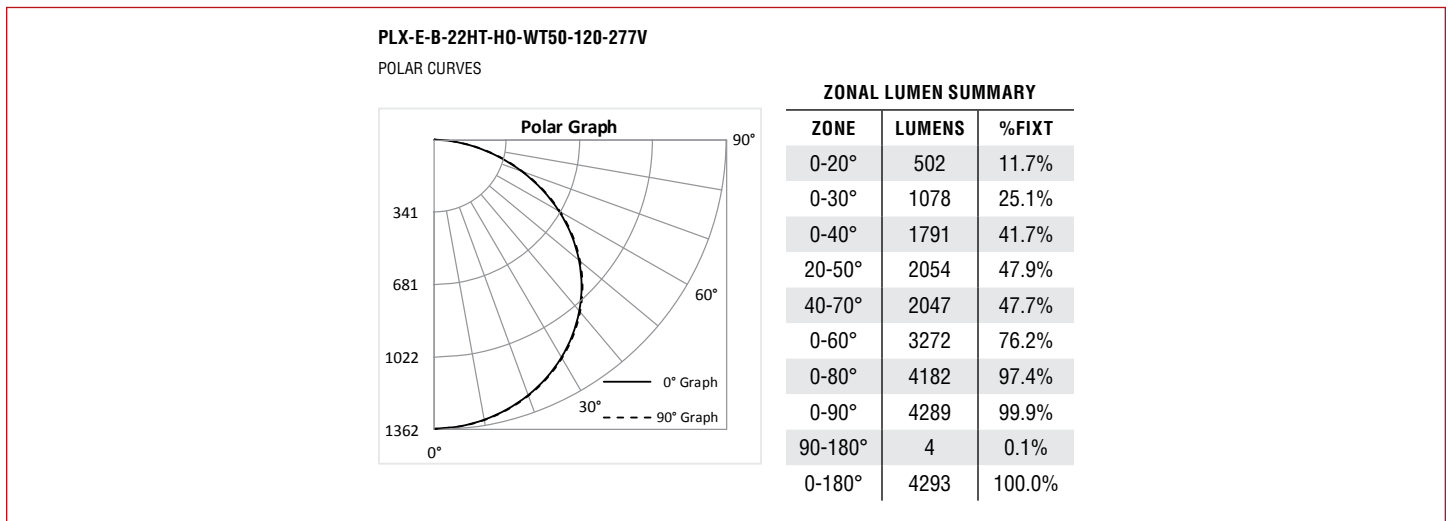
DIMENSIONS



MOUNTING OPTIONS



PHOTOMETRICS



ENERGY CHART

MODEL	SIZE	EFFICACY	CONSUMPTION WATTAGE	LUMEN OUTPUT	CRI	L70 (HRS)
PLX-E-B-22HT-HO-WT35-120-277V	22 (2x2)	129 lm/W	32	4,174	>80	>144,000
PLX-E-B-22HT-HO-WT40-120-277V	22 (2x2)	131 lm/W	32	4,234	>80	>144,000
PLX-E-B-22HT-HO-WT50-120-277V	22 (2x2)	134 lm/W	32	4,293	>80	>144,000

PLANEX® ECO

ADDITIONAL INFORMATION

ELECTRICAL RATING

DIMMER COMPATIBILITY

PRODUCT	NOMINAL POWER (W)	AC CURRENT (A) AC VOLTAGE			FREQUENCY (HZ)
		120V	240V	277V	
PLX-E-B-22HT-H0	32	0.27	0.13	0.12	50/60

DIMMER	COMPATABILITY	
	ON/OFF	DIMMING
LUTRON - DVSTV	YES	YES
LEVITON - IP710-LFZ	YES	YES
GENERAL PROTECHT - DMD-LED3-102	YES	YES

■ **WARRANTY:** 5 years, see website for full warranty details.