

# LRP - PAR36

Remote

Job/Location: _____	Job Type: _____
Contractor: _____	Date: _____
Prepared By: _____	



## ■ LRP - PAR36 large style emergency remote

The **LRP** series of remotes are constructed of high impact thermoplastic and feature an innovative rotary locking collar design that securely locks the lens and reflector assembly into place. The locking collar allows maintenance personnel to quickly and easily complete relamping. A mechanically adjustable swivel locks the head in position once adjusted. The matching canopy fits nearly all standard electrical junction boxes. The **LRP** is supplied standard in a white color, black color is optional. The operating temperature is from -22°F up to 104°F (-30°C up to 40°C).

## ■ lamp selection

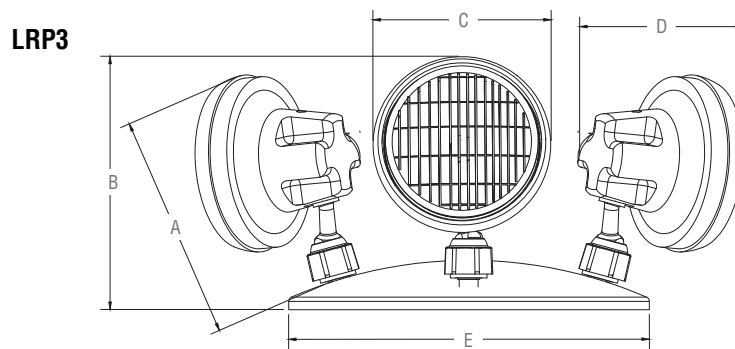
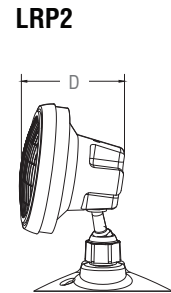
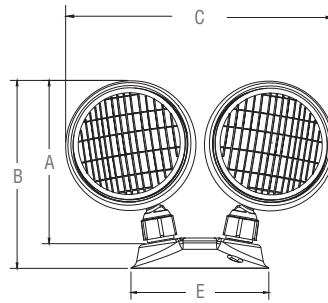
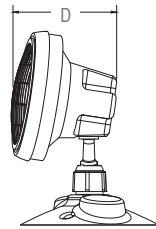
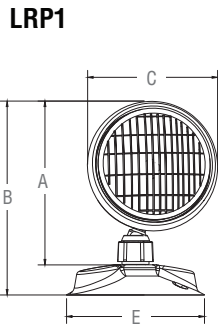
	6V	12V	24V	120V
Incandescent	7.2W, 9W	9, 12, 18W	9, 18, 25W	25W
Halogen (H)	12, 20W	12, 20, 55W	10, 12, 20, 50W	N/A

## ■ ordering information

Series	Head #	Voltage / Wattage	Options
LRP	1 (Single head)	See lamp selection	B (black housing)
	2 (Double head)		LC (less canopy)
	3 (Triple head)		*TC (Teflon® coated lens)
	4 (Quad head)		WP (weatherproof)

\*NOTE: Teflon® is a registered trademark of DuPont™

**■ dimensions (in, mm.)**



Model	A	B	C	D	E
LRP1 PAR36 Single	5 7/8" 149mm	7" 178mm	4 3/4" 58mm	3 5/8" 94mm	5" 127mm
LRP2 PAR36 Double	5 7/8" 149mm	7" 178mm	11 1/2" 292mm	3 5/8" 94mm	5" 127mm
LRP3/LRP4	5 7/8"	6 3/4"	4 3/4"	3 5/8"	9 1/2"