


LIGHTING CONTROL RELAY

- The LOGICA® ML2L is ideally suited for occupancy based lighting control and also provides for indoor daylight harvesting functionality, with a light range of 0-1020lx.
- The LOGICA® ML2L can be paired with compatible devices. When paired with a relay (LOG-RLYL) and a wireless rocker switch (LOG-ESRPL), the sensor creates an out of the box, cost effective, lighting control system. When combined with a LOGICA® gateway (LOG-EBOX), LOG-ML2 can be integrated into an existing BACnet-compatible building automation system.
- Multistep (default):
 - 100% while occupied
 - Step 1: 50% after 30 minutes of unoccupied.
 - Step 2: OFF after 60 minutes of unoccupied.
 - Customer Step 3: Commissioning Available.



ORDERING LOGIC

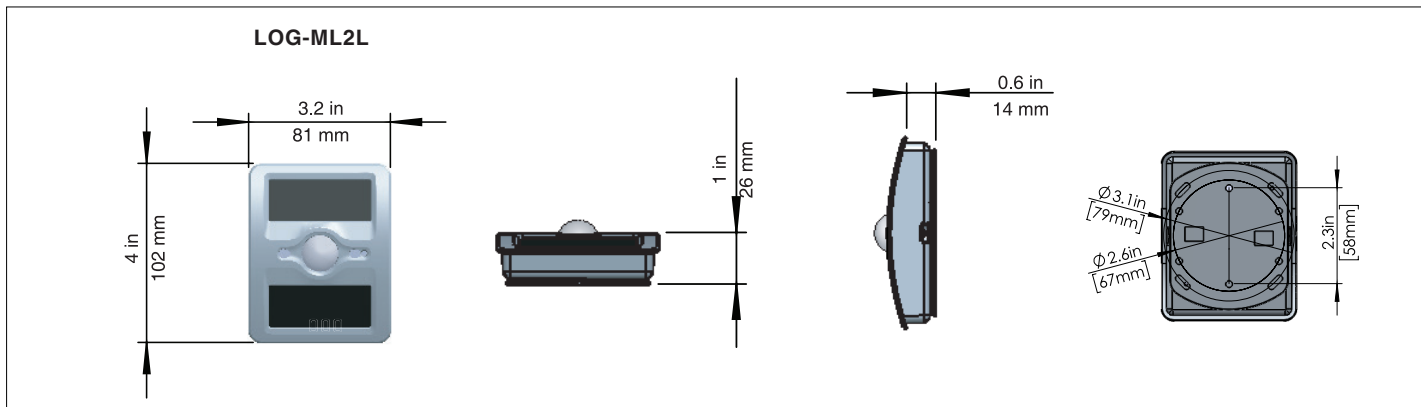
MODEL	DESCRIPTION
LOG-ML2L	LOGICA® motion/light sensor

 <p>LOG-ML2L REMOTE SENSOR</p>	Motion Sensing	Digital Passive Ir
	Detection Distance	39FT (12M)
	Detection Range (Hor. X Vert.)	102° X 92°
	Light Sensor	0-95 FC (0-1020 LUX)
	Default Transmission Interval	Immediate Upon Detected Occupancy
	Default Unoccupied Send Delay	5 Minutes (Adjustable Via Logica Tool)
	Min. Light Required To Charge	4FC (40 LUX)
	Min. Charge Time To Begin Operation	1 minute @ 20FC (200 LUX)
	Full Charge Time	~8 HOURS @ 100FC (1000LUX)
	Maintain Charge Time	3 Hours Per 24 Hours @ 20FC (200 LUX)
	Operation Life At Full Charge	Up To 72 Hours
	Optional Battery Life	10 Years (1/2Aa 3.6V Lithium)
	Operating Temperature	-3° - 140°F (20° - 60°C) - Damp Location
Start Up & Configuration	LOG-USB (476100295) & Logica Tool	

APPLICATION NOTES

BASIC		ADVANCED	
Zoning	Luminaire level lighting control	Networking	Device monitoring / Remote diagnostic
Addressable	Easy start up and configuration	Scheduling	Restricted access
		BACnet	

DIMENSIONS



COMPATIBLE DEVICES

BASIC COMMON APPLICATIONS

<p>SWITCH (LOG-ESRPL) (476100273)</p>	<p>RELAY (LOG-RLY) (476100272)</p>	<p>ACCESS POINT (LOG-AP3) (476100318)</p>	<p>BACnet GATEWAY (LOG-EBOX) (476100316)</p>
<p>RELAY (LOG-10V12L) (476100271)</p>			

NOTE: For basic or advanced solutions.

Diagram illustrating a basic common application: A LOG-RLYL RELAY is connected to a LOG-ML2L REMOTE SENSOR (ACCESSORY) and a LOG-ESRPL SWITCH (ACCESSORY). The LOG-ML2L REMOTE SENSOR and LOG-ESRPL SWITCH are connected to a lighting fixture.

■ **WARRANTY:** 2 year warranty, see website for full warranty details.