

# LOG-HBKOD

## DALI KNOCK-OUT MOTION SENSOR

outdoor TITLE 24 TITLE 20 DLC C UL US LISTED FC



**LOG-HBKO10V-BS**  
(4761003322)



**LOG-HBKOD-SS**  
(476100284)

### Features

- Powered from driver.
- Daylight harvesting.
- Energy reporting at fixture level.
- Zone control allows multiple fixtures to share data.
- Remotely configurable.
- Wireless communication.
- Full digital passive infrared.

### Overview

LOG-HBKOD node enables any lighting manufacturer with a high bay lighting offering to deliver simple, fully connected fixtures. The form factor includes a digital PIR and ambient light sensing for daylight harvesting applications as well as very accurate occupancy detection. Easy to integrate into a high bay fixture through an available half inch knock out, this node bi-directionally communicates data to and from the lighting control network. When connected to a Philips Advance Xitanium SR LED driver, LOG-HBKOD is able to be powered from the driver and can extract critical data from the driver, including power reading.

### Description

LOG-HBKOD is designed to fit into most high bay LED lighting fixtures. The digital PIR sensor is rated for ceilings up to 39 feet. Although configurable for advanced settings, LOG-HBKOD is designed for plug and play applications. It is flexible enough for both localized control as well as software driven enhancement and also integration for BACnet through LOGICA's EBOX (LOG-EBOX). The critical data points provided from this node includes occupancy status, light levels, light status and power reading.

### Compatible Devices



**SWITCH**  
(LOG-ESRP)  
(476100273)



**ACCESS POINT**  
(LOG-AP3)  
(476100318)

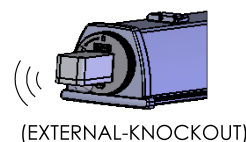


**BACnet GATEWAY**  
(LOG-EBOX)  
(476100316)

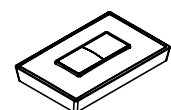
**LOG-ESRP**  
(476100273)

### Basic Common Application

WIRELESS NODE W/SENSOR



SWITCH



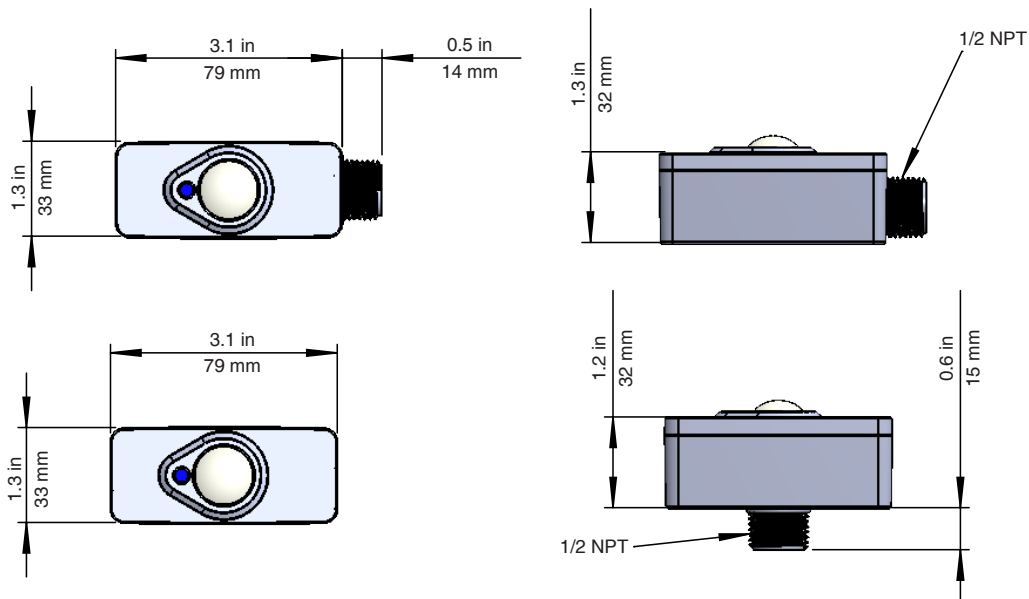
## Technical Specifications

Motion Sensing	Digital Passive IR
Ambient Light Sensing	0-94.8 FC (0-1020 LUX), Photo IC type
Detection Distance	39.4 ft (12 m)
Detection Range (Horizontal x Vertical)	120° x 92°
Operating Temperature	32° - 140°F (0° - 60°C)
Min. Power Requirement	16V @ 24mA from DALI driver
Standby Power	< 1W
Wireless Range	150 ft (50 ft - 150 ft typical) / 45.72 m (15.24 m - 45.72 m)
Start Up & Configuration	LOG-USB (476100295) & LOGICACONFIG
Leads	24" long leads
Default Setting	<ul style="list-style-type: none"> <li>• 100% occupied</li> <li>• 50% after 30 minutes of un-occupied</li> <li>• Off after 60 minutes of un-occupied</li> </ul>

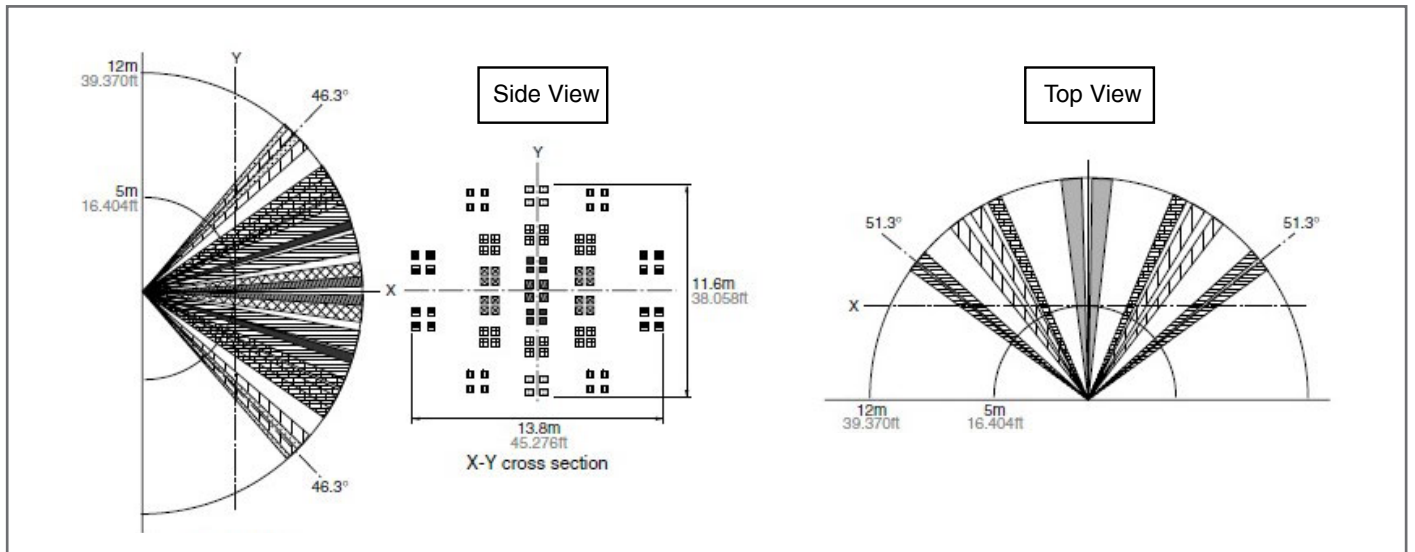
## Application Notes

BASIC		ADVANCE	
Zoning	Luminaire level lighting control	Networking	Device monitoring / Remote diagnostic
Addressable	Easy start-up & configuration	Scheduling	Personal control
Scene control		BACnet	Energy monitoring
		Restricted Access	

## Dimensions



## Detection Performance (Mounting Height 39 ft)



## Wiring Diagram

