

# LOG-HBK010VL



## LIGHTING CONTROL NODE & SENSOR


- The LOGICA® HBKO10VL is an external lighting control node & sensor used to control connected luminaires, by group or individually loads.
- The LOGICA® HBKO10VL communicates data bidirectionally, once programmed works "stand-alone" type. It includes a PIR sensor for movement and detection of ambient light. Easy to integrate in a luminaire through a knock-out.



### ORDERING LOGIC

MODEL	DESCRIPTION
LOG-HBK010VL	LOGICA® node & sensor

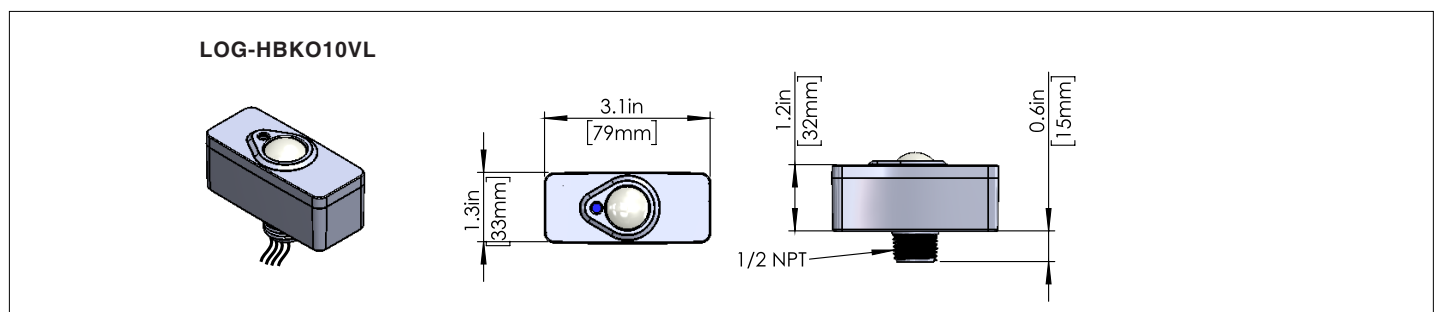
### TECHNICAL SPECIFICATIONS

 <p><b>LOG-HBK010VL</b> NODE &amp; SENSOR (EXTERNAL)</p>	<b>Motion Sensing</b>	Digital Passive Ir
	<b>Ambient Light Sensing</b>	0-94.8 Fc (0-1020 Lux); Photo Ic Type
	<b>Detection Distance</b>	39.4 Ft (12M)
	<b>Detection Range (Hor. X Vert.)</b>	120° X 92°
	<b>Operating Temperature</b>	32° - 140°F (0° - 60°C)
	<b>Continuous Dimming</b>	0-10VDC
	<b>Wireless Protocol</b>	Enocean Wireless Protocol
	<b>Wireless Range</b>	150Ft (50Ft-150Ft Typical) / 45.72M (15.24M - 45.72M)
	<b>Start Up &amp; Configuration</b>	LOG-USB (476100295) & LOGICA TOOL

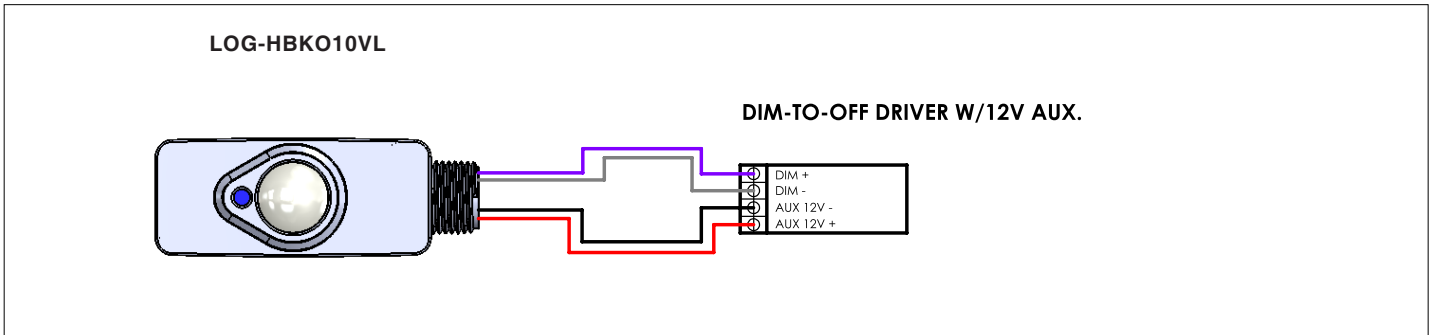
### APPLICATION NOTES

BASIC		ADVANCED	
<b>Zoning</b>	Luminaire level lighting control	<b>Networking</b>	Device monitoring / Remote diagnostic
<b>Addressable</b>	Easy start up and configuration	<b>Scheduling</b>	Personal Control
<b>Scene Control</b>		<b>BACnet</b>	Restricted Access

### DIMENSIONS



WIRING DIAGRAM

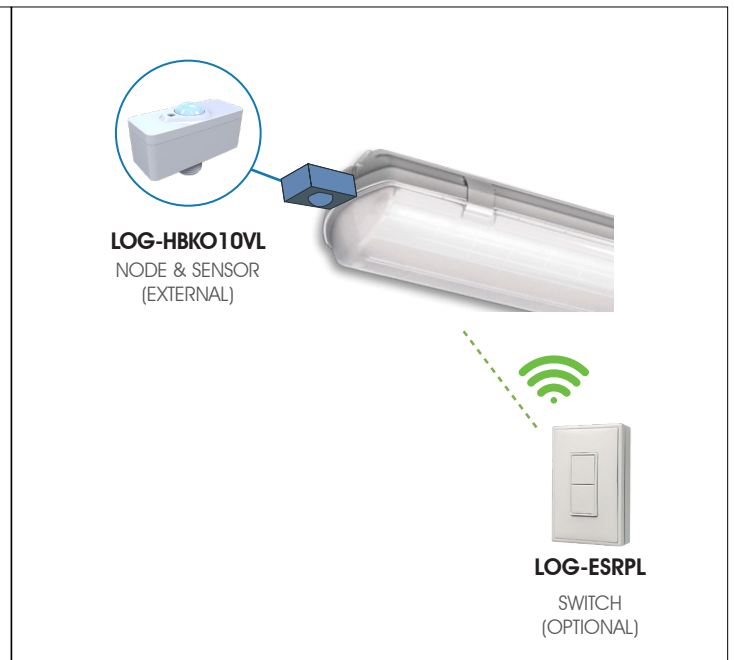


COMPATIBLE DEVICES

REMOTE SENSOR (LOG-ML2L) (476100270)	RELAY (LOG-RLY) (476100272)	ACCESS POINT (LOG-AP3) (476100318)	BACnet GATEWAY (LOG-EBOX) (476100316)
SWITCH (LOG-ESRPL) (476100273)			

**NOTE:** For basic or advanced solutions.

BASIC COMMON APPLICATIONS



■ **WARRANTY:** 2 year warranty, see website for full warranty details.