

## LIGHTING CONTROL SWITCH


- The LOGICA® ESRPL wirelessly communicates with other LOGICA® devices using radio frequency technology and provides convenient control of lighting, temperature and miscellaneous electric loads.
- The LOGICA® ESRPL can be paired with compatible devices. When paired with a relay (LOG-RLYL) and a remote sensor (LOG-ML2L), the switch helps to ensure an out of the box, cost effective, lighting control system.
- The LOGICA® ESRPL is self-powered and can be used to control lighting scenes and continuous dimming with an appropriate receiver.



### ORDERING LOGIC

MODEL	DESCRIPTION
LOG-ESRPL	LOGICA® single rocker pad switch

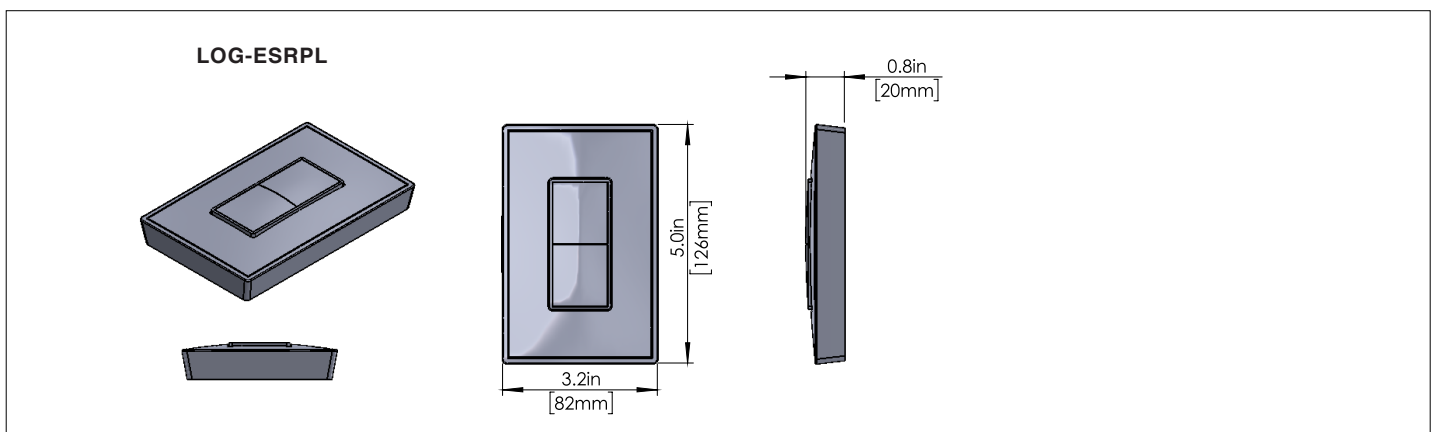
### TECHNICAL SPECIFICATIONS

 <p>LOG-ESRPL SWITCH (OPTIONAL)</p>	<b>Input</b>	Electrodynamic Harvesting
	<b>Transmission</b>	Radio Frequency (RF) Transmitter
	<b>Transmission Range</b>	Typ. 328ft (100M)Free Field/32.8ft (10M) Indoor
	<b>Rf Transmission</b>	On Press & Release Of Rocker Button
	<b>Operating Temperature</b>	32° - 131°F (0° - 55°C) - Damp location
	<b>Start Up &amp; Configuration</b>	LOG-USB (476100295) & LOGICA TOOL

### APPLICATION NOTES

BASIC		ADVANCED	
<b>Zoning</b>	Luminaire level lighting control	<b>Networking</b>	Device monitoring / Remote diagnostic
<b>Addressable</b>	Easy start up and configuration	<b>Scheduling</b>	Restricted access
		<b>BACnet</b>	

### DIMENSIONS



COMPATIBLE DEVICES



RELAY  
(LOG-10V12L)  
(476100271)



RELAY  
(LOG-RLY)  
(476100272)



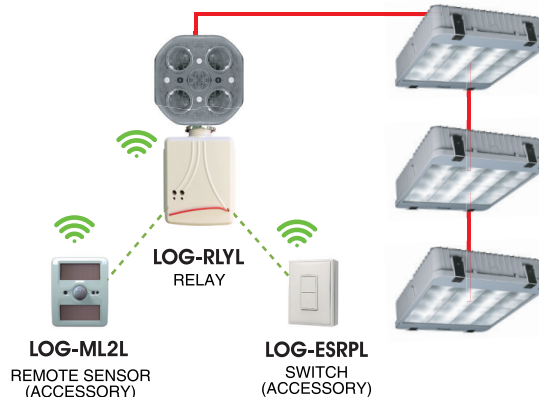
ACCESS POINT  
(LOG-AP3)  
(476100318)



BACnet GATEWAY  
(LOG-EBOX)  
(476100316)

**NOTE:** For basic or advanced solutions.

BASIC COMMON APPLICATIONS



■ **WARRANTY:** 2 year warranty, see website for full warranty details.