



LED | WET | IK05

LOGICA



BS101LED

- The **ILLUMINA® BS101LED** is corrosion, flame and vandal resistant.
- **HOUSING:** 100% UV stabilized polycarbonate, liquid silicone perimeter gasket with memory retention.
- **DIFFUSER:** The frosted UV stabilized polycarbonate diffuser eliminates glare and provides even light distribution.
- **LUMENS:** LO: 5786 - 6909 lm
HO: 8679 - 10,351 lm
- **OPERATING TEMP:** HT (AC Only) -40°F to 104°F (-40°C to 40°C)
SA (AC & Emergency) 32°F to 104°F (0°C to 40°C)
- **POWER FACTOR:** > 0.95
- **TOTAL HARMONICS DISTRIBUTION (THD):** < 20%
- **WEIGHT:** 10 lbs. / 4.54 kg.



APPLICATION: The **ILLUMINA® BS101LED** provides ideal illumination for canopies, warehouses, schools, breezeways and service corridors.

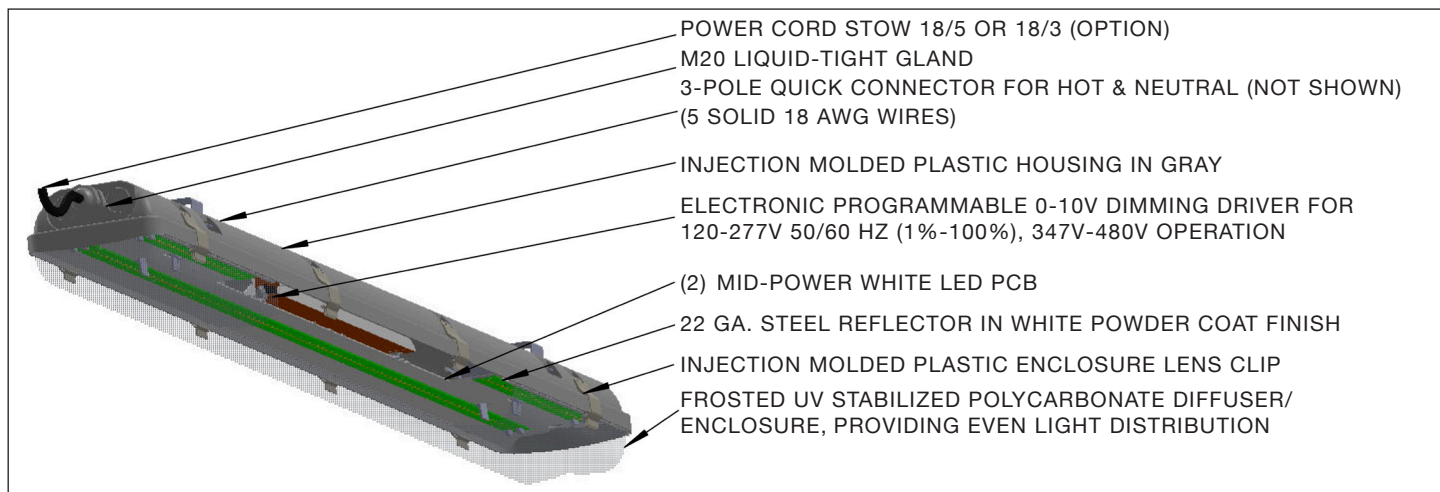
CONFIGURATIONS

MODEL	LENGTH	OPERATION	LUMENS	COLOR TEMP	INPUT	MOUNTING	OPTIONS
BS101LED	4 (ft)	HT (AC only) SA ¹ (AC & EM)	LO HO	WT30 (3000K)	120-277V	AC ² (aviation cable)	BLK ⁶ (black housing)
				WT40 (4000K)	347-480V	CH ³ (chain hang kit)	WHT ⁶ (white housing)
				WT50 (5000K)		DPK ³ (double pendant kit)	CRD ⁷ (black, 18AWG, 3-conductor cord)
						JM ⁴ (junction mount)	D (dali driver)
						PM (pivot mount)	EOS ⁸ (external occupancy sensor)
						QMB ⁵ (quick mount bracket)	EOSL ⁹ (external occ. sensor - LOGICA)
						SPK ³ (single pendant kit)	FA ¹⁰ (fully assembled)
						SVLDPK ³ (swivel double pendant kit)	FP (fuse protection - 3A)
						SVLSPK ³ (swivel single pendant kit)	NODL ⁹ (integrated node - LOGICA)
						TM ³ (trunion mount)	RLYL (wireless relay and sensor)
							SP (surge protection - 10KA)
							SS (stainless steel clips)
							TPS (tamper proof stainless steel screws)

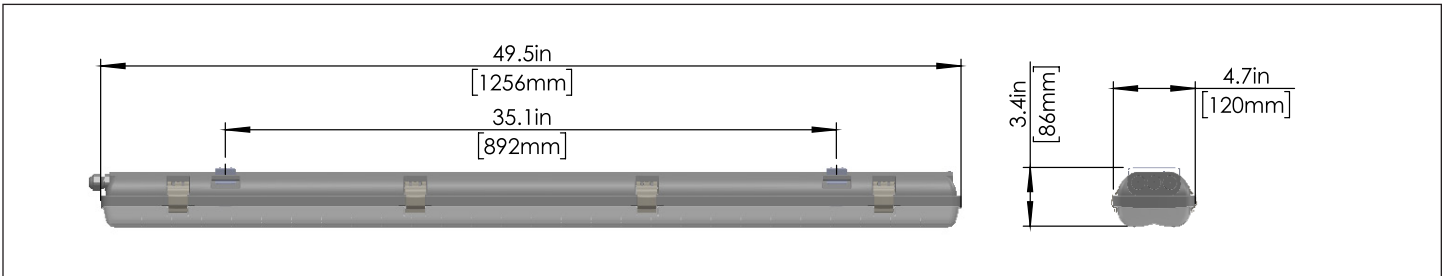
NOTE 1: Emergency pack 120-277V; 10W/ 1663 lm. CEC - Listed Title 20.
 NOTE 2: Specify length for AC: 50", 72", 100", 150", 250" fully adjustable.
 NOTE 3: SPK, DPK, CH, TM, SVLSPK & SVLDPK options must specify length.
 NOTE 4: JM option - the unit is no longer wet location, but damp location.
 NOTE 5: QMB must be used with JM.
 NOTE 6: Contact factory. MOQ required.

NOTE 7: Specify length for CRD.
 NOTE 8: Select CRMB 9, SBOR, or PSP-221B family.
 NOTE 9: Logica (Beghelli wireless and powerless control solutions). Contact factory for more details.
 NOTE 10: Includes latches and grommets installed at the factory. Can be combined with the JM option.
 NOTE: Surface mount is standard.

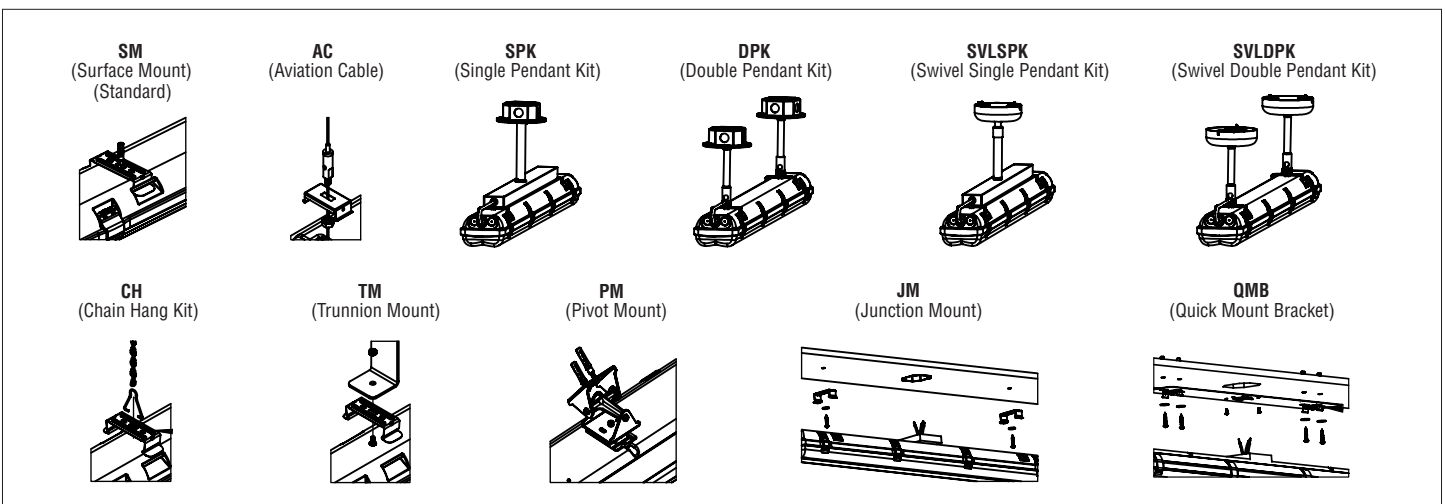
TECHNICAL INFORMATION



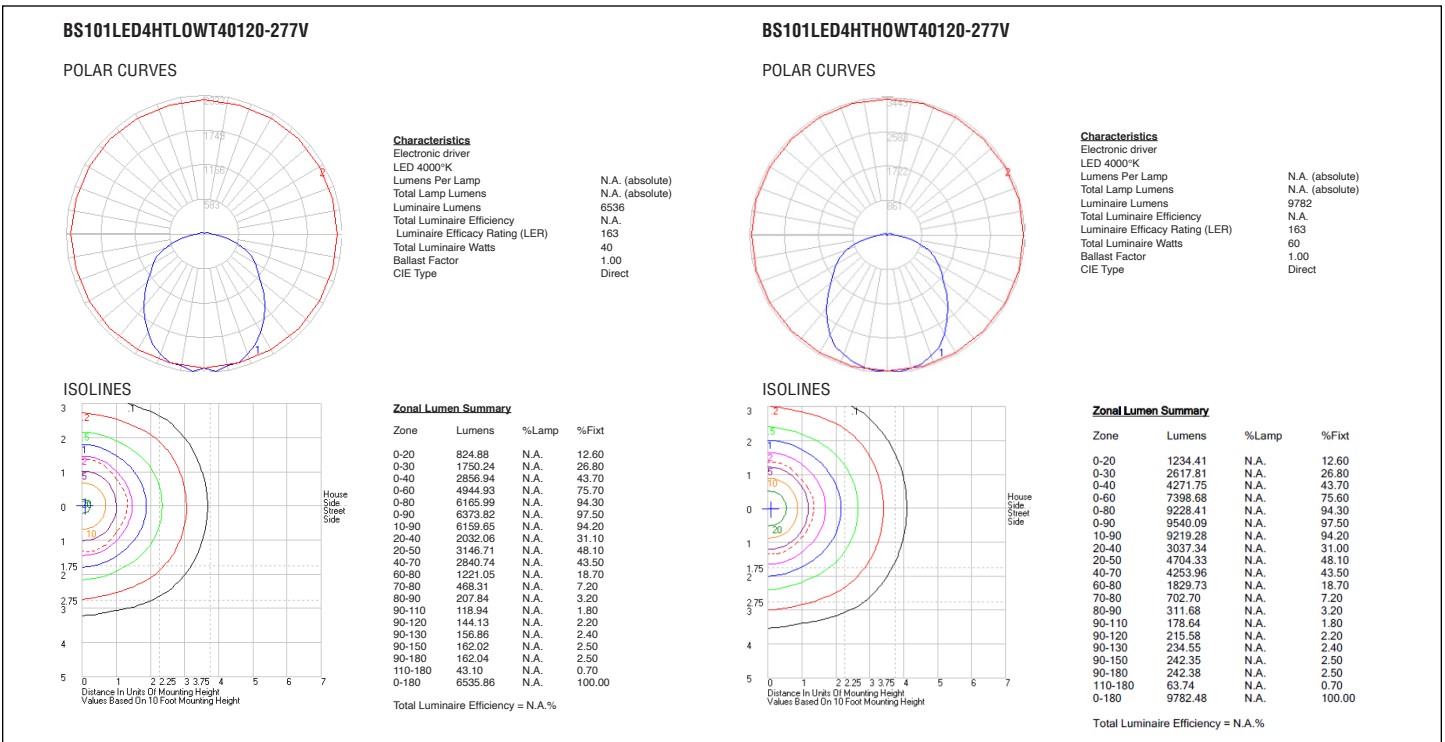
DIMENSIONS



MOUNTING OPTIONS



PHOTOMETRICS



ILLUMINA® BS101LED

ADDITIONAL INFORMATION

ENERGY CHART

MODEL	LENGTH	EFFICACY	CONSUMPTION WATTAGE	LUMEN OUTPUT	CRI	L70 (HRS) TESTED	L70 (HRS) PROJECTED
BS101LED-4HT-LO-WT30-120-277V	4 ft	145 lm/W	40	5,786	>80	>60,000	>100,000
BS101LED-4HT-LO-WT40-120-277V	4 ft	163 lm/W	40	6,536	>80	>60,000	>100,000
BS101LED-4HT-LO-WT50-120-277V	4 ft	173 lm/W	40	6,909	>80	>60,000	>100,000
BS101LED-4HT-HO-WT30-120-277V	4 ft	145 lm/W	60	8,679	>80	>60,000	>100,000
BS101LED-4HT-HO-WT40-120-277V	4 ft	163 lm/W	60	9,782	>80	>60,000	>100,000
BS101LED-4HT-HO-WT50-120-277V	4 ft	173 lm/W	60	10,351	>80	>60,000	>100,000

ELECTRICAL RATING

PRODUCT	NOMINAL POWER (W)	AC CURRENT (A) AC VOLTAGE		FREQUENCY (HZ)	DC VOLTAGE (V)	DC CURRENT (MA)
		120 V	277 V			
BS101LED-HT-LO	40	0.34	0.15	50/60	45	800
BS101LED-HT-HO	60	0.51	0.22	50/60	45	1200

DIMMER COMPATIBILITY

DIMMER	COMPATABILITY	
	ON/OFF	DIMMING
LEVITON - AWRMG-7	YES	YES
LUTRON - DIVE - DVSTV	YES	YES
LUTRON - DIVE - DVTV	YES	YES
WATT STOPPER - DCLV1	YES	YES

LOGICA (WIRELESS & POWERLESS LIGHTING CONTROL SOLUTIONS)

DAISY CHAIN FIXTURES (RLYL)	EXTERNAL NODE & SENSOR (EOSL)
<p>LOG-RLYL WIRELESS RELAY (DAMP LOCATION) LOG-ML2L REMOTE SENSOR (DAMP LOCATION) LOG-ESRPL SWITCH (ACCESSORY) (DAMP LOCATION)</p> <p>CONTINUOUS ROW MOUNT ~ 63 FEET MAX. (wiring by others base on 18AWG- 13 fixtures max.)</p>	<p>LOG-HBKO10VL/HBKODL NODE & SENSOR (KNOCK-OUT) (wet location) LOG-ESRPL SWITCH (ACCESSORY) (WET LOCATION)</p>
INTEGRATED NODE (NODL)	
<p>LOG-10V12L/DRDL (NODE 0-10V/DALI) (INTEGRATED) LOG-ML2L REMOTE SENSOR (DAMP LOCATION) LOG-ESRPL SWITCH (ACCESSORY) (DAMP LOCATION)</p>	<p>FOR DETAILS, PLEASE SEE LIGHTING CONTROL SOLUTION CONFIGURATIONS. FOR LOGICA APPLICATIONS, CONTACT FACTORY FOR LAYOUT AND SUITABLE SOLUTIONS.</p>

■ **WARRANTY:** 5 year warranty, see website for full warranty details.