

# ILLUMINA®



## BS101LED-ECO-E

- The **ILLUMINA® BS101LED-ECO-E** is an economical solution for wet location illumination and is corrosion, flame and vandal resistant.
- **HOUSING:** 100% UV stabilized polycarbonate, liquid silicone perimeter gasket with memory retention.
- **DIFFUSER:** The frosted UV stabilized polycarbonate diffuser eliminates glare and provides even light distribution.
- **LUMENS:**
  - 4000K: 4090 lm
  - 5000K: 4156 lm
- **OPERATING TEMP:**
  - HT (AC Only) -4°F to 104°F (-25°C to 40°C)
  - SA (AC & EM) 32°F to 104°F (0°C to 40°C)
- **WEIGHT:** 9 lbs / 4.08 kg



**APPLICATION:** The **ILLUMINA® BS101LED-ECO-E** provides ideal illumination for canopies, warehouses, schools, breezeways and service corridors. It can be installed both indoor & outdoor.

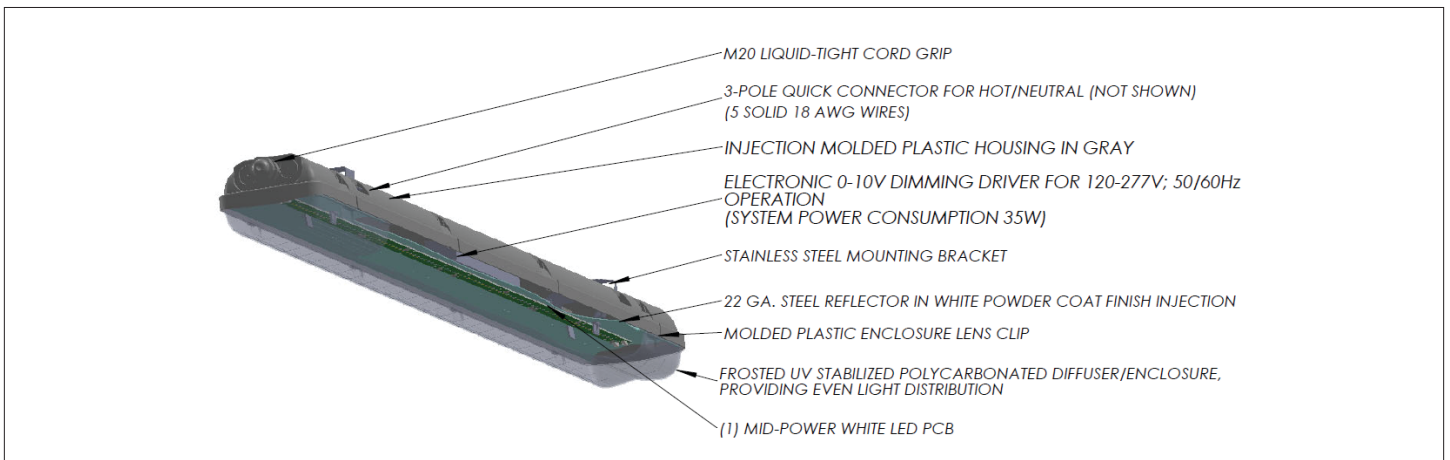
### CONFIGURATIONS

MODEL	LENGTH	OPERATION	OUTPUT	COLOR TEMP	INPUT	MOUNTING	OPTIONS
BS101LED-ECO-E	4 (ft)	HT (AC only)	HO	WT40 (4000K)	120-277V	AC <sup>2</sup> (aviation cable)	EOS <sup>6</sup> (external occupancy sensor)
		SA <sup>1</sup> (AC & EM)		WT50 (5000K)		CH <sup>3</sup> (chain hang kit)	FA <sup>7</sup> (fully assembled)
						DPK <sup>3</sup> (double pendant kit)	FP (fuse protection - 3A)
						JM <sup>4</sup> (junction mount)	SP (surge protection - 10 KA)
						PM (pivot mount)	SS (stainless steel clips)
						QMB <sup>5</sup> (quick mount bracket)	TPS (tamper proof stainless steel screws)
						SPK <sup>3</sup> (single pendant kit)	
						SVLDPK <sup>3</sup> (swivel double pendant kit)	
						SVLSPK <sup>3</sup> (swivel single pendant kit)	
						TM <sup>3</sup> (trunnion mount)	

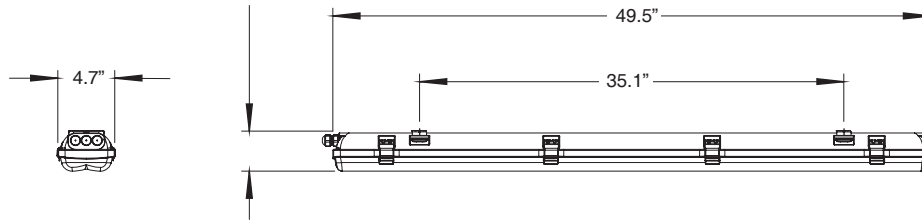
NOTE 1: Emergency pack 120-277V; 10W/1170 lm.  
 NOTE 2: Specify length for AC:50", 72", 100", 150", 250" fully adjustable.  
 NOTE 3: SPK, DPK, CH, TM, SVLDPK & SVLSPK options must specify length.  
 NOTE 4: JM option - the unit is no longer wet location, but damp location.

NOTE 5: QMB must be used with JM.  
 NOTE 6: Select CRMB 9, SBOR or FSP-221B family.  
 NOTE 7: Includes latches and grommets installed at the factory. Can be combined with the JM option.  
 NOTE: Surface mount is standard.

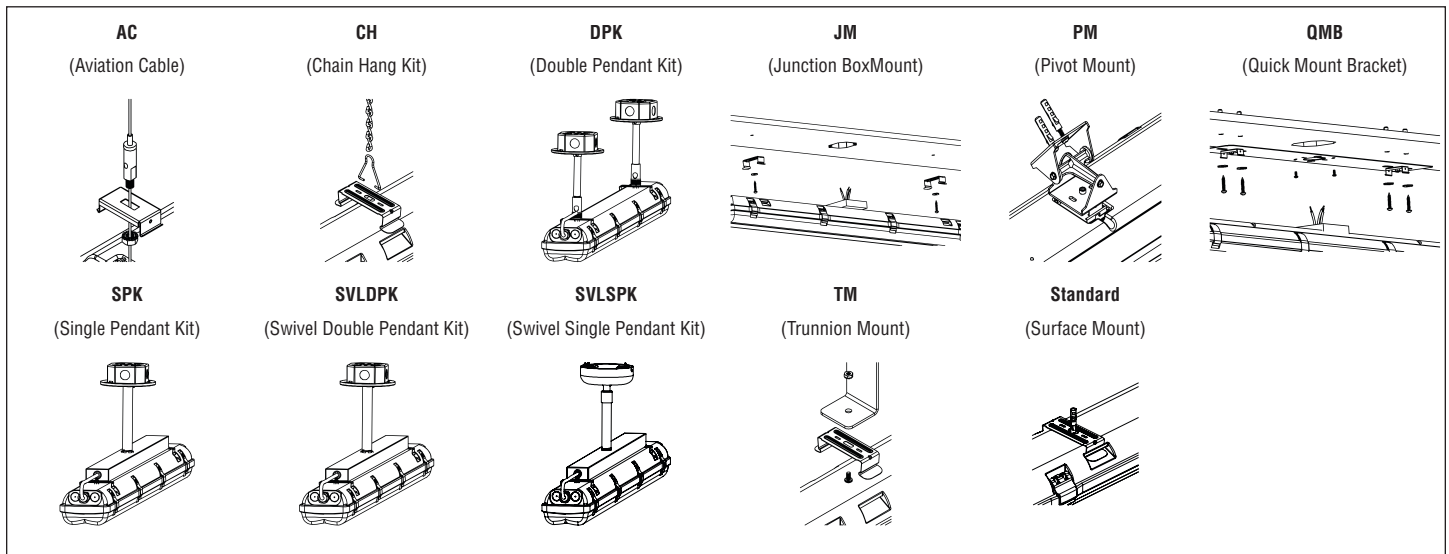
### TECHNICAL INFORMATION



## DIMENSIONS



## MOUNTING OPTIONS

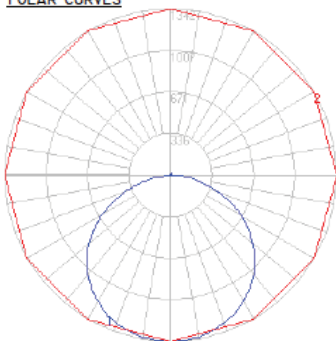


## PHOTOMETRICS

### BS101LEDECOE4HTHOWT40120-277V

#### POLAR CURVES

##### POLAR CURVES



#### Characteristics

Electronic driver	
LED 4000°K	
Lumens Per Lamp	4090 (1 lamp)
Total Lamp Lumens	4090
Luminaire Lumens	4090
Total Luminaire Efficiency	100 %
Luminaire Efficacy Rating (LER)	117
Total Luminaire Watts	35
Ballast Factor	1.00
CIE TypeDirect	

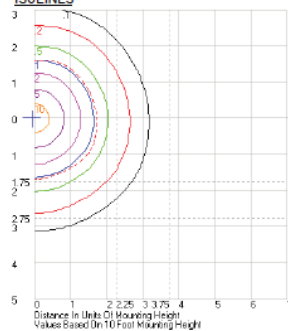
#### Coefficients of Utilization - Zonal Cavity Method

Effective Floor Cavity Reflectance 0.20

RC	80			70			50			30			10			0		
RW70	50	30	10	70	50	30	10	50	30	10	50	30	10	50	30	10	0	
0	119	119	119	119	116	116	116	116	111	111	111	106	106	106	101	101	101	99
1	109	104	99	96	106	101	97	94	97	94	91	93	90	88	89	87	85	83
2	98	90	83	77	96	88	82	76	84	79	74	81	77	73	78	74	71	69
3	90	79	71	64	87	77	70	63	74	68	62	71	66	61	69	64	60	58
4	82	70	61	54	79	68	60	54	66	58	53	63	57	52	61	56	51	49
5	75	62	53	46	73	61	52	46	59	51	45	57	50	45	55	49	44	42
6	69	56	47	40	67	55	46	40	53	45	40	51	44	39	49	43	39	37
7	64	50	42	35	62	50	41	35	48	40	35	46	40	35	45	39	34	32
8	60	46	37	31	58	45	37	31	44	36	31	43	36	31	41	35	31	29
9	56	42	34	28	54	42	34	28	40	33	28	39	33	28	38	32	28	26
10	52	39	31	26	51	38	31	25	37	30	25	36	30	25	35	29	25	23

#### ISOLINES

##### ISOLINES



#### Zonal Lumen Summary

Zone	Lumens	%Lamp	%Fixt
0-20	495.51	12.10	12.10
0-30	1061.99	26.00	26.00
0-40	1758.93	43.00	43.00
0-60	3179.22	77.70	77.70
0-80	3997.38	97.70	97.70
0-90	4059.42	99.30	99.30
10-90	3932.03	96.10	96.10
20-40	1263.42	30.90	30.90
20-50	2002.43	49.00	49.00
40-70	1945.46	47.60	47.60
60-90	518.16	20.00	20.00
70-80	282.99	7.20	7.20
80-90	62.04	1.50	1.50
90-110	4.27	0.10	0.10
90-120	8.33	0.20	0.20
90-130	13.32	0.30	0.30
90-150	23.17	0.60	0.60
90-180	30.59	0.70	0.70
110-180	26.32	0.60	0.60
0-180	4090.00	100.00	100.00

Total Luminaire Efficiency = 100.00%

# ILLUMINA® BS101LED-ECO-E

ADDITIONAL INFORMATION

## ENERGY CHART

MODEL	LENGTH	EFFICACY	CONSUMPTION WATTAGE	LUMEN OUTPUT	CRI	L70 (HRS) PROJECTED
BS101LED-ECO-E4HT-HO-WT40-120-277V	4 ft	117 lm/W	35	4090	>80	>100,000
BS101LED-ECO-E4HT-HO-WT50-120-277V	4 ft	119 lm/W	35	4156	>80	>100,000

## ELECTRICAL RATING

PRODUCT	NOMINAL POWER (W)	AC CURRENT (A) AC VOLTAGE		FREQUENCY (HZ)	DC VOLTAGE (V)	DC CURRENT (MA)
		120 V	277 V			
BS101LED-ECO-HT-HO	35	0.30	0.13	50/60	45	700

## DIMMER COMPATIBILITY

DIMMER	COMPATABILITY	
	ON/OFF	DIMMING
LEVITON - AWRMG-7	YES	YES
LUTRON - DIVE - DVSTV	YES	YES
LUTRON - DIVE - DVTV	YES	YES
WATT STOPPER - DCLV1	YES	YES

■ **WARRANTY:** 5 years, see website for full warranty details.