

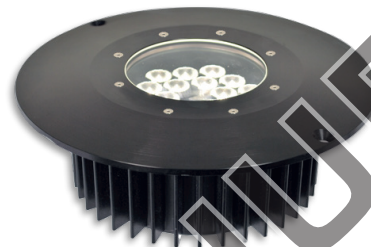
GIRA SOLE®

LED | IN-GRADE | WET | IP65



GSLED

- The GIRA SOLE® offers four distribution patterns
- Custom top plates designed for retro fit applications.
- **HOUSING:** Single piece, extruded aluminum construction optimizes heat dissipation. Direct burial housing (DBH) is standard and included.
- **DIFFUSER:** Extruded UV stabilized polycarbonate lens provides glare control.
- **LUMENS:** 1,685 - 2,405 lm
- **OPERATING TEMP:**
HT (AC Only) -40°C up to 40°C (-40°F to 104°F)
- **WEIGHT:** 12 lbs. / 5.4 kg.



APPLICATION: The GIRA SOLE® is ideal for retrofit, new construction projects, building facades, wall grazing, flag poles and landscape applications.

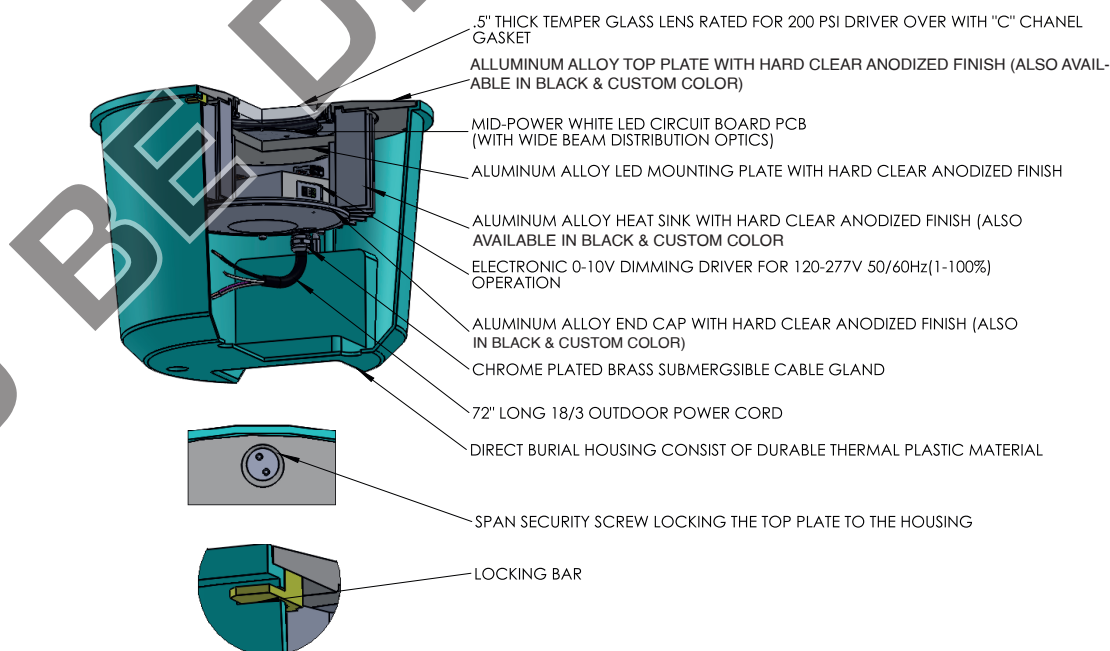
CONFIGURATIONS

MODEL	COLOR TEMP	DISTRIBUTION	INPUT	FINISH	OPTIONS
GSLED	WT35 (3500K)	NBD (narrow 10°)	120-277V ⁴	HAB (hard anodized black)	PT (perforated top plate)
GSLED-RMT	WT40 (4000K)	MBD (medium 20°)		HAC (hard anodized clear)	CTP ³ (custom top plate)
	WT50 (5000K)	WBD (wide 36°)		CAC (custom hard anodized color)	SSTP ³ (stainless steel top plate)
	WT57 (5700K)	NOL (no optical lens)			

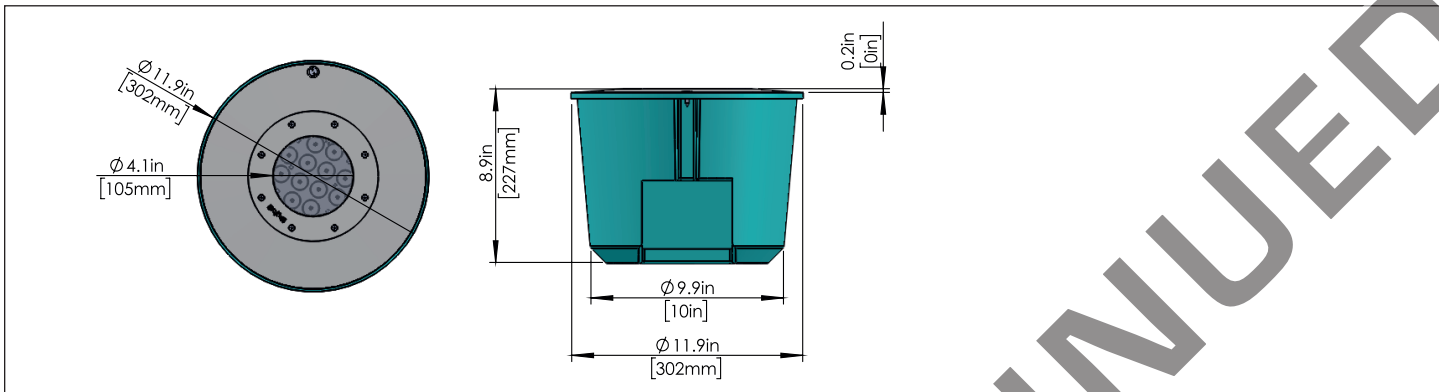
NOTE 1: DBH is standard and is included.
NOTE 2: Custom colors must be specified.
NOTE 3: Contact factory.

NOTE 4: Only for GSLED.

TECHNICAL INFORMATION



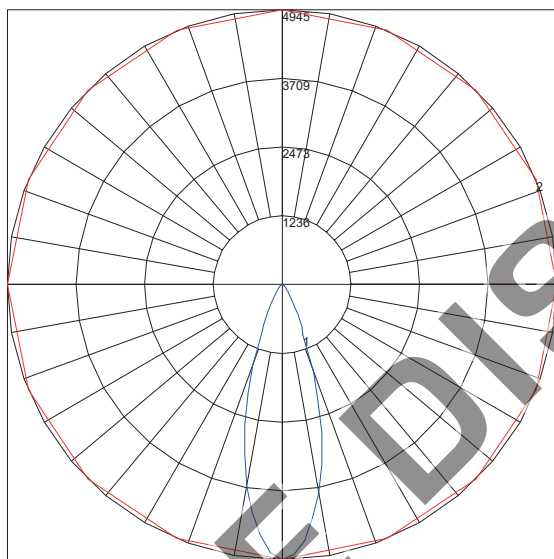
DIMENSIONS



PHOTOMETRICS

GSLEDWT40MBD120-277V-P

POLAR GRAPH



Maximum Candela = 4945.045 - Located At Horizontal Angle = 0, Vertical Angle = 0
 # 1 - Vertical Plane Through Horizontal Angle (0° - 180°) (Through Max. Cd.)
 # 2 - Horizontal Cone Through Vertical Angle (0°)

CHARACTERISTICS

Lumens Per Lamp	N.A. (absolute)
Total Lamp Lumens	N.A. (absolute)
Luminaire Lumens	1804
Total Luminaire Efficiency	N.A.
Luminaire Efficacy Rating (LER)	53
Total Luminaire Waits	34
Ballast Factor	1.00
CIE Type	Direct
Spacing Criterion (0-180)	0.54
Spacing Criterion (90-270)	0.58
Spacing Criterion (Diagonal)	0.54
Basic Luminous Shape	Point
Luminous Length (0-180)	0.00 ft
Luminous Width (90-270)	0.00 ft
Luminous Height	0.00 ft

ENERGY CHART

MODEL	EFFICACY	CONSUMPTION WATTAGE	LUMEN OUTPUT	CRI	L70 (hrs.)
GSLED-WT35-MDB-120-277V-HAB	50 lm/W	34	1685	>80	>85,000
GSLED-WT40-MDB-120-277V-HAB	53 lm/W	34	1804	>80	>85,000
GSLED-WT50-MDB-120-277V-HAB	69 lm/W	34	2332	>80	>85,000
GSLED-WT57-MDB-120-277V-HAB	71 lm/W	34	2405	>80	>85,000

■ **WARRANTY:** 5 year warranty, see website for full warranty details.