

Job/Location: _____	Job Type: _____
Contractor: _____	Date: _____
Prepared By: _____	_____

The high abuse, 2.5mm thick polycarbonate lens is designed to stand up to areas such as correctional facilities, schools, apartment complexes and public areas that may be subject to vandalism.

■ **Installation:** The **FTZ-RMT** remote is supplied with a universal mounting plate for surface ceiling or wall mount applications. Suitable for indoor, outdoor, damp or wet location applications with IP66 protection.



The **FTZ-RMT** features fully adjustable heads and a vacuum metalized reflector.

Durable o-ring gasket ensures the integrity of the **FTZ-RMT**.

Torx screws.

18ga. cold rolled steel.

NOTE: 3 year warranty standard, see details on next page.

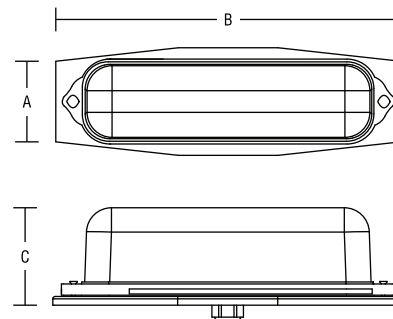
■ specifications: internal

The **FTZ-RMT** is available with high output LED or MR16 lamps. A durable o-ring gasket ensures the integrity of the **FTZ-RMT**. The operating temperature is from -22°F up to 104°F (-30°C to 40°C).

■ specifications: external

The **FTZ-RMT** is constructed from a polycarbonate material. The vandal resistant clear polycarbonate lens provides protection to the lamps. Tamper proof screws are standard. The **FTZ-RMT** mounting plate comes standard in white although color options are available upon request.

■ dimensions (in,mm.)



Series	A	B	C
FTZ-RMT	4.5" 114mm	14" 356mm	3.8" 98mm

■ ordering logic

Series	Lamps	Options
FTZ-RMT	See lamp selection on next page	B (black mounting plate) CC (custom color- specify)

EXAMPLE: FTZ-RMT-5W-LED
DESCRIPTION: FORTEZZA™ Remote, 5W LED MR16, white mounting plate.

■ specifications: electrical

CIRCUIT: The **FTZ-RMT** is available with high output LED or MR16 lamps.

■ specifications: mechanical

The **FTZ-RMT** remote is constructed with a powder coated steel mounting plate and an impact resistant polycarbonate lens. The **FTZ-RMT** mounting plate is offered in either a white or black powder coat finish. Custom colors are available, consult factory.

■ vandal resistant design

The heavy duty design and construction of the **FTZ-RMT** warns potential vandals that this is no regular remote. The lamps are protected by an impact resistant polycarbonate lens that is fastened with two tamper proof screws. The **FTZ-RMT** remote offers a contemporary look and durability like no other.

■ lamp selection

	6V	12V	24V
MR16	-	20, 35, 50W	-
MR16 LED	5, 7W	2, 5, 7W	5, 7W

■ warranty

The **FTZ-RMT** comes with a 3-year factory warranty. Lamps are not covered under the warranty. Deliberate damage, misuse, improper installation effectively cancel the warranty.