

BS720LED

- The four piece extruded aluminum ballast housing is designed for suspension cable or single pendant mounting.
- Bengal silver finish standard, other custom colors are available.
- 12" and 16" acrylic refractors and aluminum reflectors are offered. Custom colors are available.
- An aesthetic bottom ring, acts as a support for the refractor.



APPLICATION: The DRACO® BS720 is ideal for retail, open ceiling areas, loft style offices, cafes and residential installations.

CONFIGURATIONS

MODEL	COLOR TEMP	LENS / DISTRIBUTION	REFRACTOR	MOUNTING	INPUT	OPTIONS
BS720LED	WT35 (3500K)	NBD ² (narrow 10°)	12ACT (12" acrylic clear)	AC_4 (aviation cable)	120-277VAC	CCH (custom color housing)
	WT41 (4100K)	MBD (medium 20°)	12ART (12" acrylic red)	PK_4 (pendant kit)	347VAC	SPCW ⁶ (spiral cord white)
	WT57 (5700K)	WBD (wide 36°)	12ABT (12" acrylic blue)	SVLPK_5 (swivel pendant kit)		SPCB ⁶ (spiral cord black)
	RGB (color mixing)	NOL (no lens)	12AGT (12" acrylic green)			CR (custom color refractor)
	SCL ¹ (single color LED)		12AAT (12" acrylic amber)			FP (fuse protection)
			12AL (12" aluminum)			
			16ACT ³ (16" acrylic clear)			
			16AL (16" aluminum)			

NOTE¹: must specify color
NOTE²: not available on RGB

NOTE³: custom colors are available for 16" refractor.
NOTE⁴: specify length for AC 72", 100", 150", 250" fully adjustable; SPK option min 6"

NOTE⁵: specify length 24", 48" or custom, min 6"
NOTE⁶: Cannot be used with PK or SVLPK.

MECHANICAL: Extruded aluminum housing with Bengal Silver powder coat as standard, custom finishes are available.

ELECTRICAL: Powered by Samsung LEDs in: 3500K, 4100K & 5700K color temps. RGB color mixing available. Single color LED offered in: red, amber, green, cyan, blue or royal blue. Driver operates 100V through 277V, 347V through 480V, 50-60HZ. Fuse protection (FP) option available. 40W driver used. Power line/Feed: 18/4 SJT straight white cord, 60" long, cord may be field cut. Power line / feed attached to housing for all mounting types.

WATTAGE: 36W-white; 18W-RGB;

DIMMING: 0-10V dimming down to 10% standard for white, (compatible with most dimming systems)

RGB: RGB units are compatible with DMX-512 protocol. (Note: Layout required for proper configurations; contact factory.)

LENS/DISTRIBUTION: Individual lenses are offered in 4 different distributions - NBD: 10°, MBD: 20°, WBD: 36° & NOL: no lens.

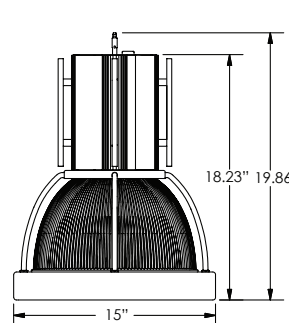
REFRACTOR: Clear (ACT) 12" & 16" acrylic prismatic refractor as standard. Also offered in red (ART), blue (ABT), green (AGT) & amber (AAT). Spun aluminum (AL) is also available.

ALUMINUM TRIM: Spun 1100-0 aluminum trim ring, 0.080" thickness; suspended by four (4) high polished, formed aluminum support arms.

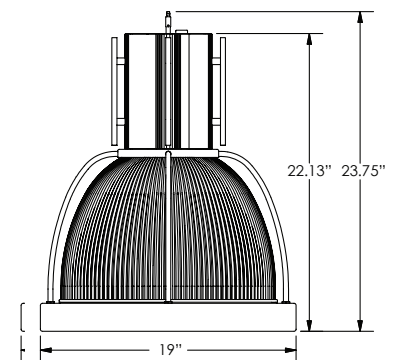
MOUNTING: Aviation cable AC50, AC72, AC100, AC150, AC250 or other, fully adjustable. The kit comes complete with a 1/4" deep, 5" diameter white canopy. Pendant mount (PK) measures 3/8"IPS (other dimensions are available). A swivel mount pendant (SVL) features 45° rotation.

WARRANTY: 5 year warranty, see website for full warranty details.

12" REFRACTOR

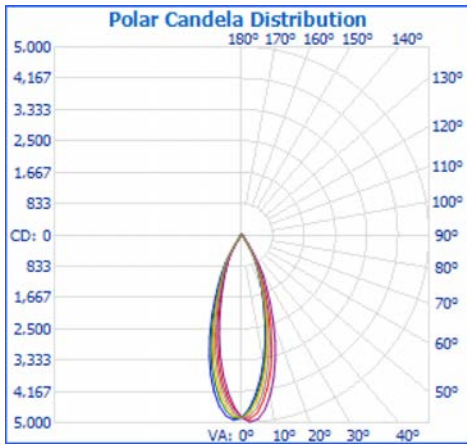


16" REFRACTOR



DRACO-BS720-WT41-WBD-16ACT-120-277

CANDELA DISTRIBUTION



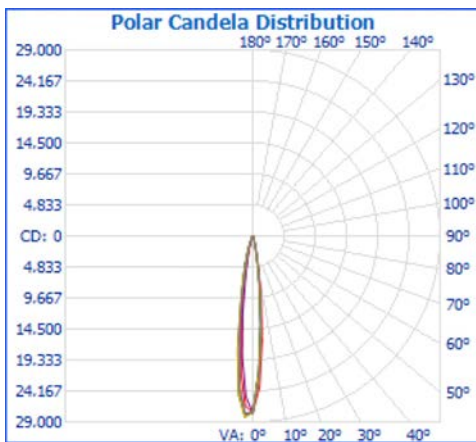
Efficiency Total:	100%	Lumen Rating:	2049
Efficacy Total:	61.22 lm/W	Input Wattage:	33.47W

ZONAL LUMEN SUMMARY

ZONE	LUMENS	% LUMINAIRE
0-60	1975.5	96.4%
60-90	73.4	3.6%
0-90	2048.9	100.0%
90-180	0.0	0.0%
0-180	2048.9	100.0%

DRACO-BS720-WT41-NBD-16ACT-120-277

CANDELA DISTRIBUTION



Efficiency Total:	100%	Lumen Rating:	2425
Efficacy Total:	72.65 lm/W	Input Wattage:	33.38W

ZONAL LUMEN SUMMARY

ZONE	LUMENS	% LUMINAIRE
0-60	2392.3	98.1%
60-90	46.3	1.9%
0-90	2438.6	100.0%
90-180	0.0	0.0%
0-180	2438.6	100.0%

ENERGY CHART

LAMP	EFFICACY (lm/W)	CONSUMPTION WATTAGE	LUMEN OUTPUT	CRI	Beam angle	L70 (hrs.)
DRACO BS720-4100K-MEDIUM	60.49	33.49	2026	85+	26.2°	85,000
DRACO BS720-4100K-WIDE	61.22	33.47	2049	85+	33.9°	85,000
DRACO BS720-4100K-NARROW	72.65	33.38	2425	85+	13.6°	85,000
DRACO BS720-5700K-MEDIUM	79.76	35.04	2795	80+	21.8°	85,000
DRACO BS720-5700K-WIDE	78.00	35.04	2733	80+	32.2°	85,000
DRACO BS720-5700K-NARROW	81.58	34.97	2853	85+	13.3°	85,000

NOTE: tested at 25°C; Operating temperature: -30°C to +60°C