

Job/Location: _____
 Contractor: _____
 Prepared By: _____

Job Type: _____
 Date: _____



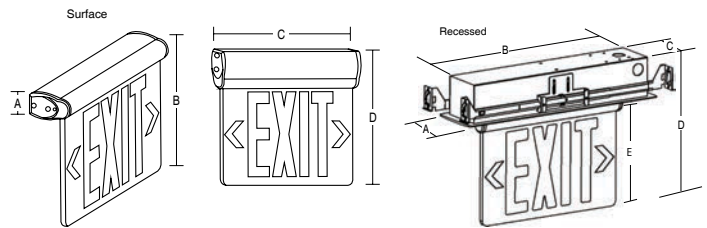
■ specifications: internal

AC ONLY: Standard configuration with high output, high efficiency red LED technology, 120/277V input. SELF POWERED: Standard configuration with high output, high efficiency red or green LED technology, 120/277V input. Nickel-cadmium battery provides a minimum 90 minutes emergency duration. 24 hour recharge after 90 minute discharge. Low voltage battery disconnect.

■ specifications: external

The **CURVA** features an integrated and unique pivot system that allows it to be installed on the wall, ceiling or sloped surface. Available with a backbox for recess mount. Interchangeable acrylic panels easily and securely snap into the housing, reducing the possible damage that can occur during normal installations.

■ dimensions



Series	A	B	C	D	E
CRV (recessed)	5 ^{1/2} "	14 ^{9/16} "	3 ^{1/8} "	11 ^{1/8} "	7 ^{3/4} "
CRV (surface)	1 ^{5/8} "	8 ^{1/2} "	12 ^{1/8} "	9 ^{3/4} "	-

■ ordering logic

CRV	-	-	-	-	-	-	-
Series	Operation	Letter Color	Faces	Panel	Mounting	Housing	Options
CRV	HT (AC Only)	LR (red)	1 (single)	CLR ² (clear)	SM (surface mount)	AL (aluminum)	AT ¹ (autotest)
	SA ¹ (Self-powered)	LG (green)	2 (double)	MIR (mirror) WHT (white)		WHT (white)	RKBAL-HT ³ (recessed kit brushed aluminum) RKWHT-HT ³ (recessed kit white) RKBAL-SA ⁴ (recessed kit brushed aluminum) RKWHT-SA ⁴ (recessed kit white) PK ⁵ (pendant kit)

NOTE 1: AT is standard on SA models. Not available with HT.

NOTE 2: Clear available single face only.

NOTE 3: AC Only.

NOTE 4: AC & EM.

NOTE 5: Specify length for PK: 12", 24", 36", 48" fully adjustable.

EXAMPLE: CRV-SA-LR1-CLR-SM-AL-AT

DESCRIPTION: Self-powered, Red LED, Single Face, Clear Panel, Aluminum Housing, Autotest.

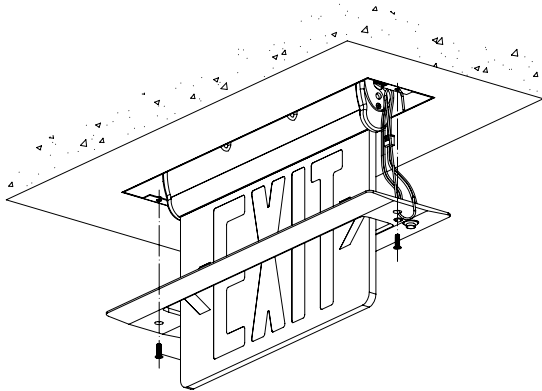
■ specifications: electrical

BATTERY: The **CURVA** is designed with a 3.6V 900mAh maintenance free sealed nickel cadmium battery that provides minimum emergency duration of 90 minutes. The recharge time of the battery is 24 hours.

CIRCUIT: The **CURVA** has a 120/277V solid state transformer. Low voltage disconnect and brownout protection are standard. Red or green LEDs totaling <2W. The battery operating temperature is 32°F to 122°F (0°C – 50°C).

■ specifications: mechanical

The recessed back box has a steel housing and trimplate with anodized aluminum finish. Adjustable bar hangers adapt housing for mounting on a suspended ceiling. The recessed back box with color matched trimplate effortlessly converts the standard surface mount **CURVA** to recess mount.



The recess kit allows for the standard surface mount **CURVA** to be easily recessed into a ceiling or a wall. The standard unit snaps into the recessed back box and is securely held in place while wiring is completed.

■ self-powered

The **CURVA** self-powered is designed to operate on battery power in the event of regular / mains power failure. Both the battery and charger are completely contained within the standard sign. There are no external components and no alteration made to the external dimensions of the standard sign. Status is easily determined via an LED that indicates AC-ON. A push button test switch allows maintenance personnel to quickly confirm the operational status of the exit at any time.

■ autotest

The **CRV-SA** comes standard with the Beghelli Autotest diagnostic system. Featuring continuous monitoring of the units main components (battery, charger, transformer, lamps & LED's) and providing instant visual verification of the status.

AUTO-TEST FEATURES:

- Monitor battery disconnection, charger failure, lamp failure, LED failure and transformer fault every 5 seconds without discharging the battery.
- Automatically indicates lamp, battery and charger status by dual-color LED lamp.
- Factory preset Autotest does not need to be field adjusted or reset for proper operation.

AUTO-TEST FUNCTIONS:

- Verifies battery disconnect, charger board failure, lamp failure, LED failure and transformer failure every 5 seconds.
- One (1) minute Autotest every month.
- Thirty (30) minute Autotest every six (6) months.
- Ninety (90) minute Autotest every twelve (12) months.

Autotest VISUAL ALERT

(1) blink red LED =	Battery not connected
(2) blinks red LED =	Battery shorted and/or Battery voltage drop
(3) blinks red LED =	Charger board fault
(4) blinks red LED =	Transformer fault
(5) blinks red LED =	Emergency lamp fault
(6) blinks red LED =	Remote lamp fault
(7) blinks red LED =	LED lamp fault

Autotest MANUAL FUNCTIONS:

- Press test button 1x (within 2 sec.) = 1 minute test
- Press test button 2x (within 2 sec.) = 5 minute test
- Press test button 3x (within 2 sec.) = 30 minute test
- Press test button 4x (within 2 sec.) = 90 minute test

■ warranty

The **CURVA** comes with a 5-year factory warranty. Deliberate damage, misuse, improper installation effectively cancel the warranty. Find complete warranty details on-line at beghelliusa.com.