

CASTEX 700

HAZARDOUS - EXIT SIGN



■ The **CASTEX 700** is a hazardous location exit sign rated for use in:

- Class I, Division 1, Groups B, C, D
- Class I, Division 2, Groups A, B, C, D
- Class II, Division 1, Groups E, F, G
- Class II, Division 2, Groups F, G
- Class III
- UL1598 (Wet Location) & UL1598A (Marine)

■ The **CASTEX 700** comes in a gray finish with surface mounting as standard.

■ **HOUSING:** Die-cast copper-free aluminum.

■ **OUTPUT:**

- Low = 3W
- High = 5W

■ **OPERATING TEMP:**

- SA (Self Powered) -40°F to 140°F (-40°C to 60°C)

■ **WEIGHT:**

- 13.2 lbs (6kg)



■ **APPLICATION:** The **CASTEX 700** is ideal for oil and gas industry, chemical industry, ocean, marine and aerospace field, metal treatment, food and alcohol industry, high humidity, high vapor, high dust and high temperature locations.

CONFIGURATIONS

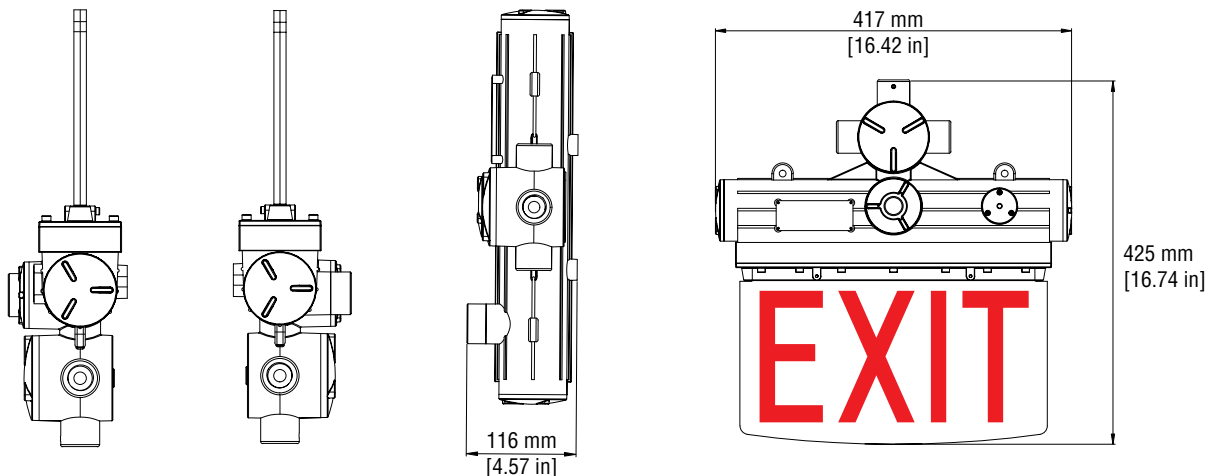
MODEL	OPERATION	COLOR	OUTPUT	INPUT	MOUNTING	OPTIONS
HZ-CAS700	SA (Self Powered)	G (Green) R (Red)	LO (3W) HO (5W)	120-277V	ES (end/surface mount) PK12 (12" pendant kit) PK+AC ¹ (PK w/ aviation cable)	SW ² (Special Wording)

NOTE 1: Must specify length.

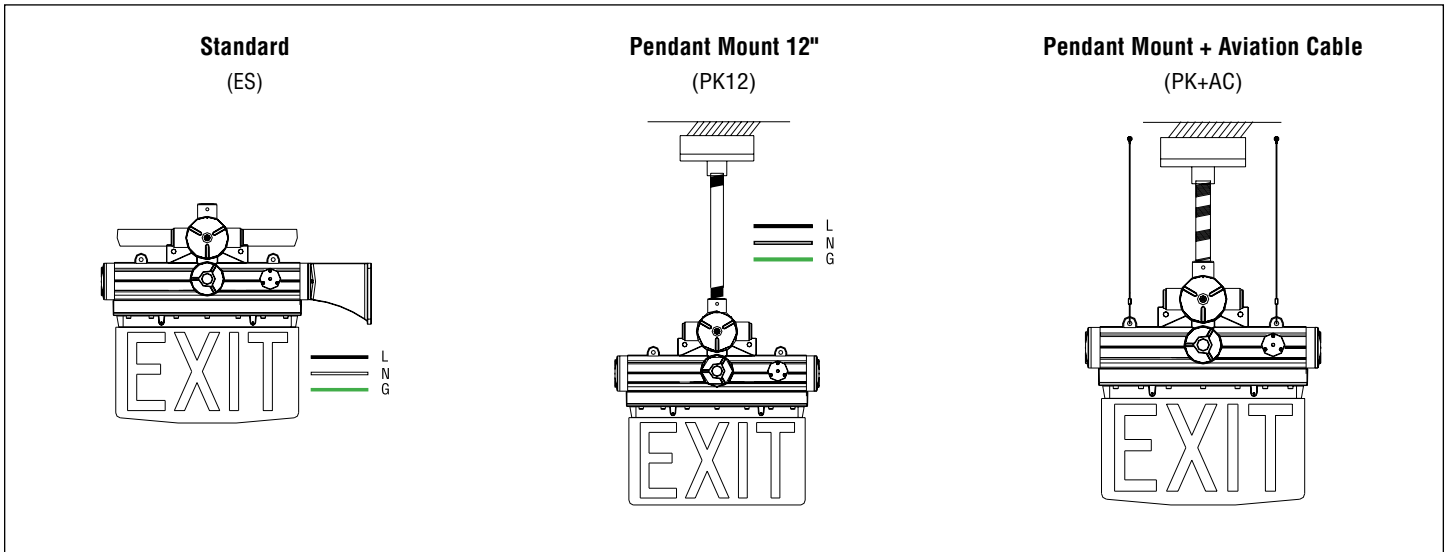
NOTE 2: Must specify.

NOTE: Surface/wall mount is standard.

DIMENSIONS



MOUNTING OPTIONS



■ **WARRANTY:** 5 years, see website for full warranty details.