

CASTEX 600



HAZARDOUS

- The **CASTEX 600** is a hazardous location LED lighting fixture rated for use in:
 - Class I, Division 1, Groups C, D
 - Class I, Division 2, Groups A, B, C, D
 - Class II, Division 1, Groups E, F, G
 - Class II, Division 2, Groups F, G
 - Class III
 - UL1598 (Wet Location) & UL1598A (Marine)
- The **CASTEX 600** comes standard in gray with a stainless steel (304) bracket.
- **HOUSING:** Die-cast ADC12/A383 6mm aluminum alloy body.
- **DIFFUSER:** Polycarbonate lens with 4mm tempered glass cover, 120° distribution. Other distributions available (40°, 60° & 90°); contact factory for details.
- **COLOR TEMPERATURE:** 5000K. Other color temperatures available (2200K to 7000K); contact factory for details.
- **LUMENS:**

2FT	4FT
VLO: 40W @ 5600 lm	MO: 60W @ 8400 lm
LO: 50W @ 7000 lm	HO: 80W @ 12000 lm
MO: 60W @ 8400 lm	VHO: 100W @ 14000 lm
- **OPERATING TEMP:**
 - HT (AC Only) -40°F to 140°F (-40°C to 60°C)
 - SA (AC & EM) 14°F to 140°F (-10°C to 60°C)
- **WEIGHT:**
 - 2ft: 26.4 lbs (12 kg)
 - 4ft: 40.8 lbs (18.5 kg)



- **APPLICATION:** The **CASTEX 600** is a heavy duty, high impact linear fixture suitable for mining, power generation stations, military, aerospace, oil, gas, chemical production, marine and ocean platform industries. The luminaire is suited for high humidity, high vapor, high dust and high temperature locations.

CONFIGURATIONS

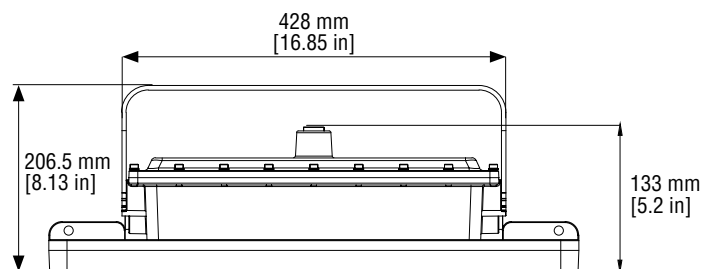
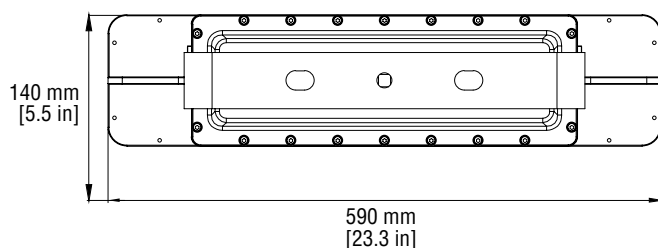
MODEL	LENGTH	OPERATION	OUTPUT	DIMMING	COLOR TEMP	INPUT	MOUNTING
HZ-CAS600	2 ¹ (ft)	HT (AC only)	VLO	DIM (0-10V dimming)	WT50 ⁴ (5000K)	120-277V	CH ⁵ (chain mounting)
	4 ² (ft)	SA ³ (AC & EM)	LO				PK12 (12" pendant kit)
			MO				
			HO				
			VHO				

NOTE 1: 2 ft available in 40W (VLO) to 60W (MO).
 NOTE 2: 4 ft available in 60W (MO) to 100W (VHO).
 NOTE 3: Contact factory.

NOTE 4: Other Color temperatures available (2200K to 7000K). Contact factory.
 NOTE 5: Specify length.
 NOTE: Surface/wall mount is standard.

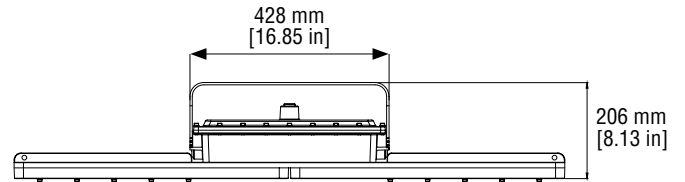
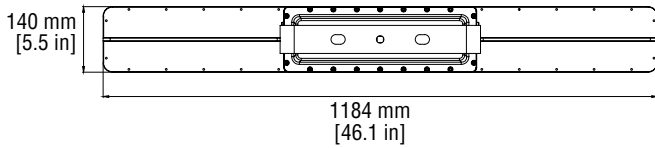
DIMENSIONS

2FT

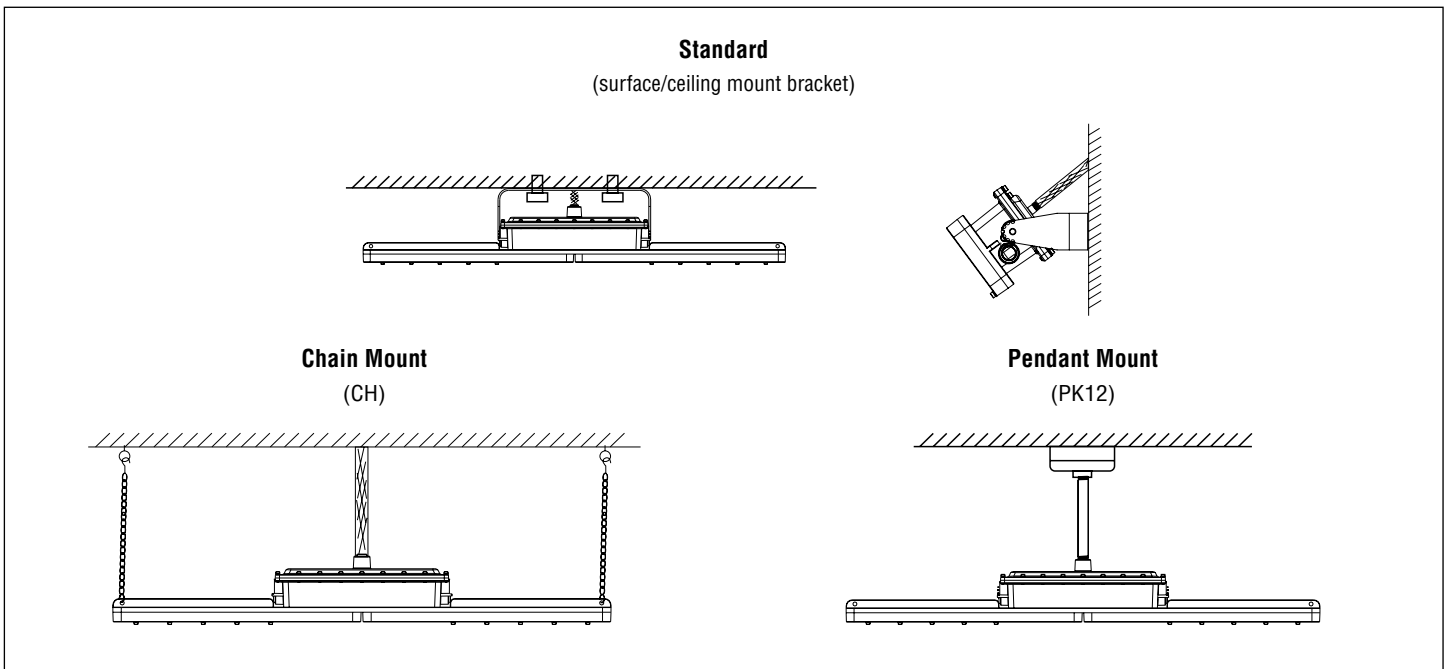


DIMENSIONS

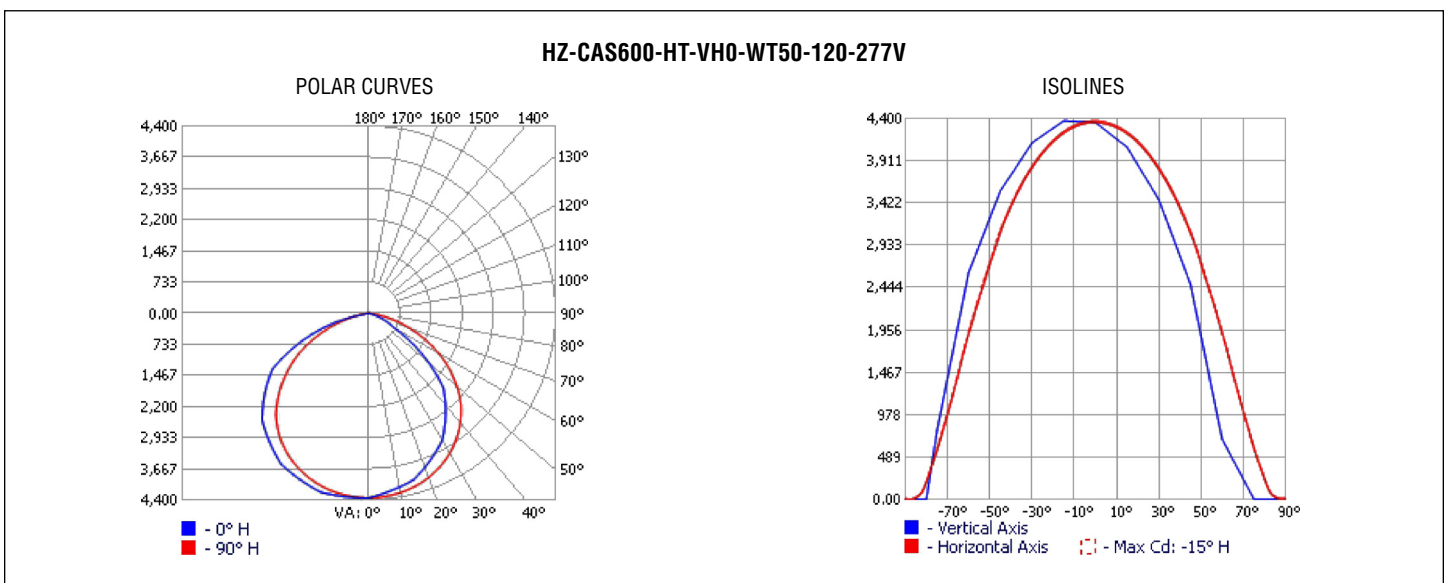
4FT



MOUNTING OPTIONS



PHOTOMETRICS



CASTEX 600

ENERGY CHART

MODEL	EFFICACY	CONSUMPTION WATTAGE	LUMEN OUTPUT	CRI	L70 (HRS) TESTED	L70 (HRS) PROJECTED
2FT						
HZ-CAS-600-2HT-VL0-WT50-120-277V	140 lm/W	40W	5600 lm	>70	>44,000	>72,000
HZ-CAS-600-2HT-L0-WT50-120-277V	140 lm/W	50W	7000 lm	>70	>44,000	>72,000
HZ-CAS-600-2HT-M0-WT50-120-277V	140 lm/W	60W	8400 lm	>70	>44,000	>72,000
4FT						
HZ-CAS-600-4HT-M0-WT50-120-277V	140 lm/W	60W	8400 lm	>70	>44,000	>72,000
HZ-CAS-600-4HT-H0-WT50-120-277V	140 lm/W	80W	12000 lm	>70	>44,000	>72,000
HZ-CAS-600-4HT-VH0-WT50-120-277V	140 lm/W	100W	14000 lm	>70	>44,000	>72,000

ELECTRICAL RATING

PRODUCT	NOMINAL POWER (W)	AC CURRENT (A) AC VOLTAGE		FREQUENCY (HZ)	DC VOLTAGE (V)	DC CURRENT (MA)
		120 V	277 V			
2FT						
HZ-CAS-600-2HT-VL0	40W	0.34	0.15	50/60	48	840
HZ-CAS-600-2HT-L0	50W	0.42	0.18	50/60	48	1040
HZ-CAS-600-2HT-M0	60W	0.51	0.22	50/60	48	1250
4FT						
HZ-CAS-600-4HT-M0	60W	0.51	0.22	50/60	48	1250
HZ-CAS-600-4HT-H0	80W	0.68	0.29	50/60	48	1670
HZ-CAS-600-4HT-VH0	100W	0.85	0.37	50/60	48	2090

■ **WARRANTY:** 5 years, see website for full warranty details.