

Type: _____

Project: _____

CASTEX 510



HAZARDOUS

■ The **CASTEX 510** is a hazardous location LED lighting fixture rated for use in:

- Class I, Division 2, Groups A, B, C, D
- Class II, Division 1, Groups E, F, G
- Class II, Division 2, Groups F, G
- Class III
- UL1598 (Wet Location) & UL1598A (Marine)

■ The **CASTEX 510** comes standard in gray with a surface mount bracket.

■ **HOUSING:** Die-cast ADC12/A383 6mm aluminum alloy body.

■ **DIFFUSER:** High Impact resistant 3 mm polycarbonate, 120° distribution. Other distributions available (40°, 60° & 90°); contact factory for details.

■ **COLOR TEMPERATURE:** 5000K. Other color temperatures available (2200K to 7000K); contact factory for details.

LUMENS:	2FT	4FT
LO: 40W @ 5600 lm		MO: 60W @ 8400 lm HO: 80W @ 12000 lm

- **OPERATING TEMP:**
- HT (AC Only) -40°F to 140°F (-40°C to 60°C)
 - SA (AC & EM) 14°F to 140°F (-10°C to 60°C)

- **WEIGHT:**
- 2FT: 8.8 lbs (4 kg)
 - 4FT: 12.3 lbs (5.5 kg)



- **APPLICATION:** The **CASTEX 510** is ideal for all the oil and gas industry, paint facilities, pumping stations, metal smelting, foundry and fabrication, food and distilling and other high humidity, high vapor, high dust and high temperature locations.

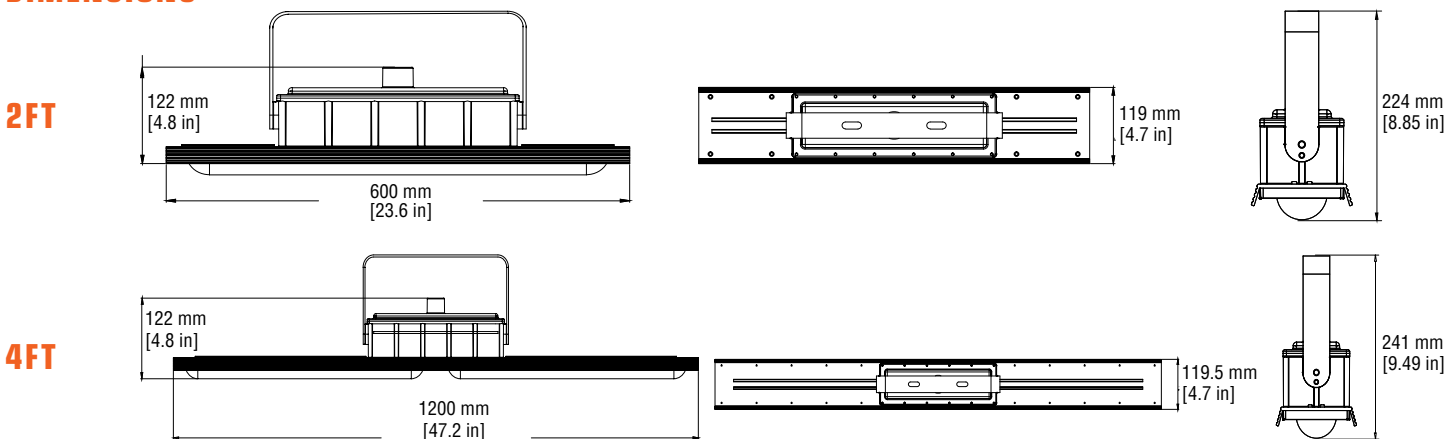
CONFIGURATIONS

MODEL	LENGTH	OPERATION	OUTPUT	DIMMING	COLOR TEMP	INPUT
HZ-CAS510	2' (ft)	HT (AC only)	LO	DIM (0-10V dimming)	WT50 ⁴ (5000K)	120-277V
	4' (ft)	SA ³ (AC & EM)	MO			
			HO			

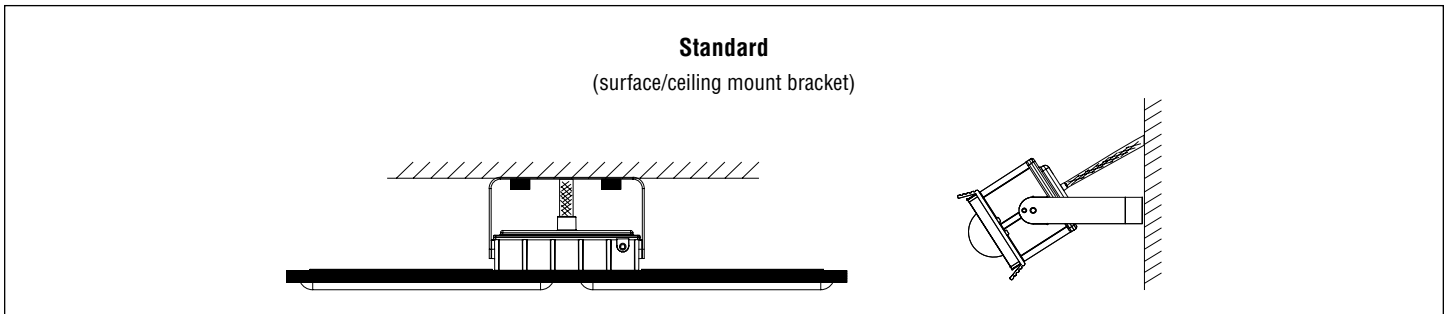
NOTE 1: 2 ft available in 40W (LO) only.
NOTE 2: 4 ft available in 60W (MO) or 80W (HO).
NOTE 3: Contact factory.

NOTE 4: Other Color temperatures available (2200K to 7000K). Contact factory.
NOTE: Surface/wall mount is standard.

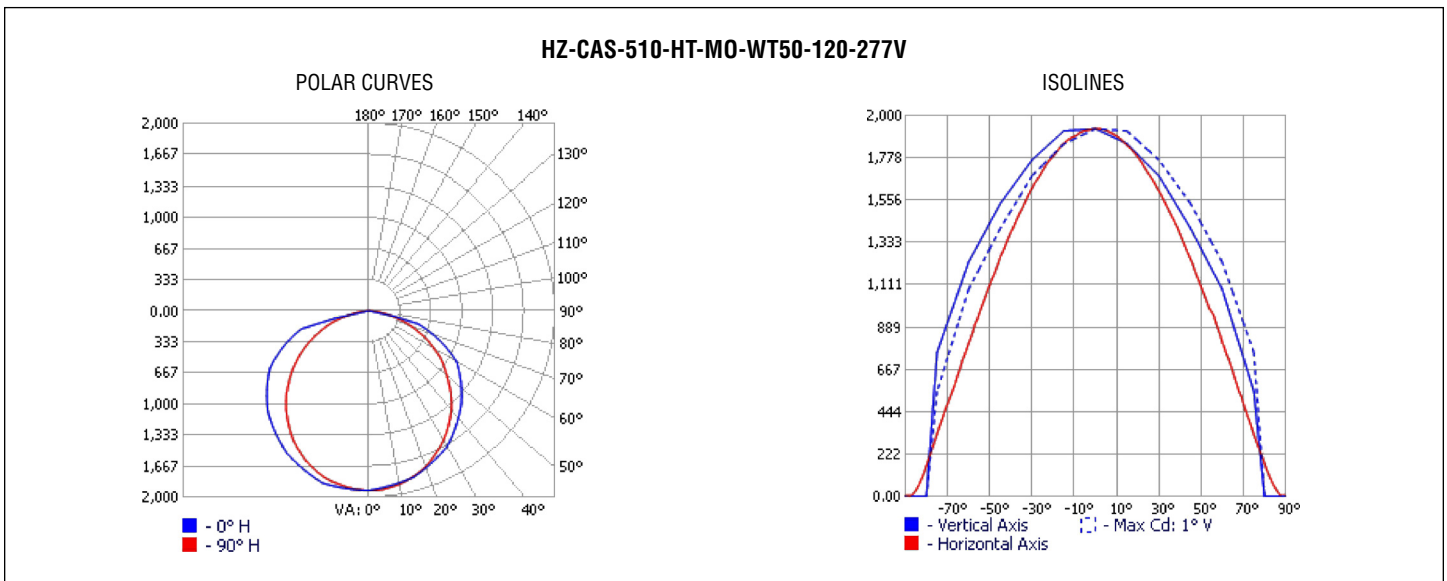
DIMENSIONS



MOUNTING OPTIONS



PHOTOMETRICS



ENERGY CHART

MODEL	EFFICACY	CONSUMPTION WATTAGE	LUMEN OUTPUT	CRI	L70 (HRS) TESTED	L70 (HRS) PROJECTED
2FT						
HZ-CAS-510-2HT-L0-WT50-120-277V	140 lm/W	40W	5600 lm	>70	>44,000	>72,000
4FT						
HZ-CAS-510-4HT-M0-WT50-120-277V	140 lm/W	60W	8400 lm	>70	>44,000	>72,000
HZ-CAS-510-4HT-H0-WT50-120-277V	140 lm/W	80W	12000 lm	>70	>44,000	>72,000

CASTEX 510

ADDITIONAL INFORMATION

ELECTRICAL RATING

PRODUCT	NOMINAL POWER (W)	AC CURRENT (A) AC VOLTAGE		FREQUENCY (HZ)	DC VOLTAGE (V)	DC CURRENT (MA)
		120 V	277 V			
2FT						
HZ-CAS-510-2HT-L0	40W	0.34	0.15	50/60	48	840
4FT						
HZ-CAS-510-4HT-M0	60W	0.51	0.22	50/60	48	1250
HZ-CAS-510-4HT-H0	80W	0.68	0.29	50/60	48	1670

■ **WARRANTY:** 5 years, see website for full warranty details.