

# CASTEX 400



## HAZARDOUS - VAPOR TIGHT

- The **CASTEX 400** is a hazardous location LED lighting fixture rated for use in:
  - Class I, Division 2, Groups A, B, C, D
  - Class II, Division 1, Groups E, F, G
  - Class II, Division 2, Groups F, G
  - Class III
  - UL1598 (Wet Location)
- **HOUSING:** Heavy-duty 20 gauge stainless steel (304) body with a 3 mm high impact resistant lens.
- **DIFFUSER:** Polycarbonate, 120° distribution.
- **COLOR TEMPERATURE:** 5000K. Other color temperatures available (2200K to 7000K); contact factory for details.
- **LUMENS:**
  - LO: 30W @ 4200lm
  - HO: 50W @ 7000lm
  - VHO: 60W @ 8400 lm
- **OPERATING TEMP:**
  - HT (AC Only) -40°F to 140°F (-40°C to 60°C)
  - SA (AC & EM) 14°F to 140°F (-10°C to 60°C)
- **WEIGHT:**
  - 2ft: 8.8lbs (4kg)
  - 4ft: 17.6lbs (8kg)



- **APPLICATION:** The **CASTEX 400** is a heavy duty, high impact resistant vapor tight suitable for mining, power generation stations, military, aerospace, oil, gas, chemical production, marine and ocean platform industries. The luminaire is suited for high humidity, high vapor, high dust and high temperature locations.

## CONFIGURATIONS

MODEL	LENGTH	OPERATION	OUTPUT	DIMMING	COLOR TEMP	INPUT	MOUNTING
HZ-CAS400	2 (ft) <sup>1</sup>	HT (AC only)	LO	DIM (0-10V dimming)	WT50 <sup>4</sup> (5000K)	120-277V	AC <sup>5</sup> (Aviation Cable)
	4 (ft) <sup>2</sup>	SA <sup>3</sup> (AC & EM)	HO				PM (Pole Mount)
			VHO				

NOTE 1: 2ft only available for 30W (LO).

NOTE 2: 4ft only available for 50W (HO) and 60W (VHO).

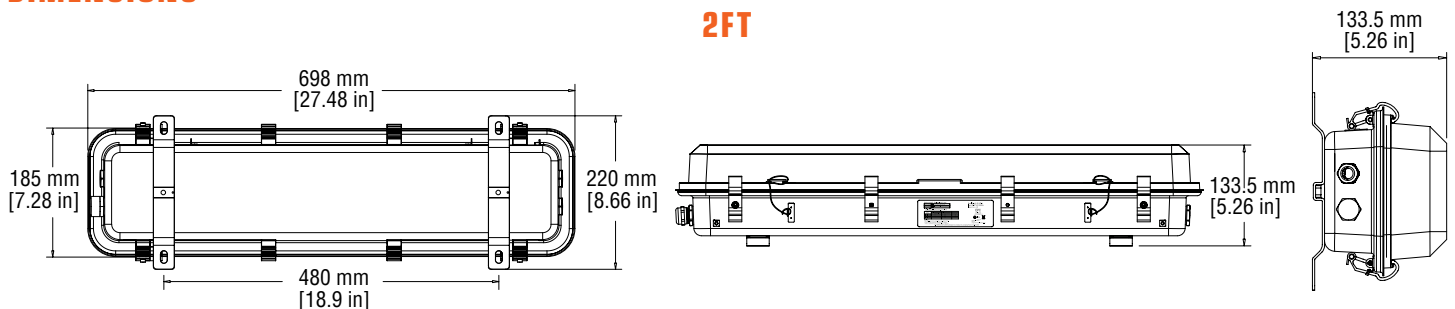
NOTE 3: Contact factory.

NOTE 4: Other Color temperatures available (2200K to 7000K). Contact factory.

NOTE 5: Specify length.

NOTE: Surface/wall mount is standard.

## DIMENSIONS

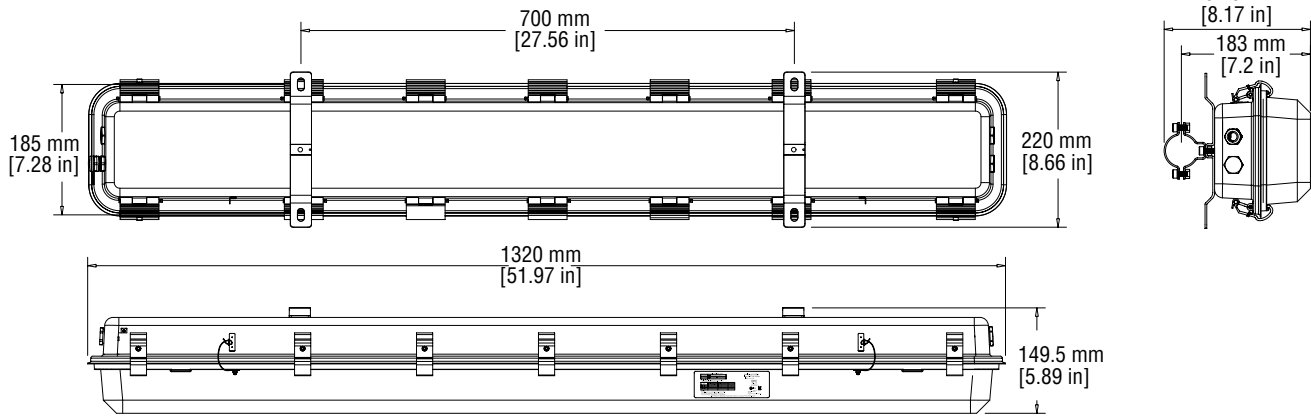


# CASTEX 400

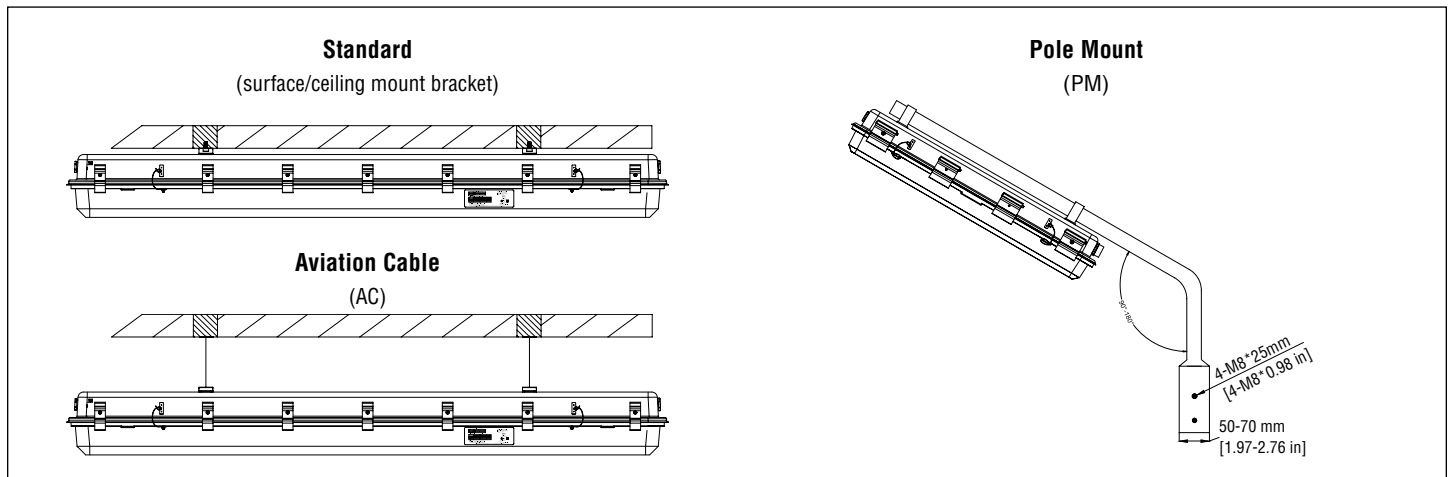
ADDITIONAL INFORMATION

## DIMENSIONS

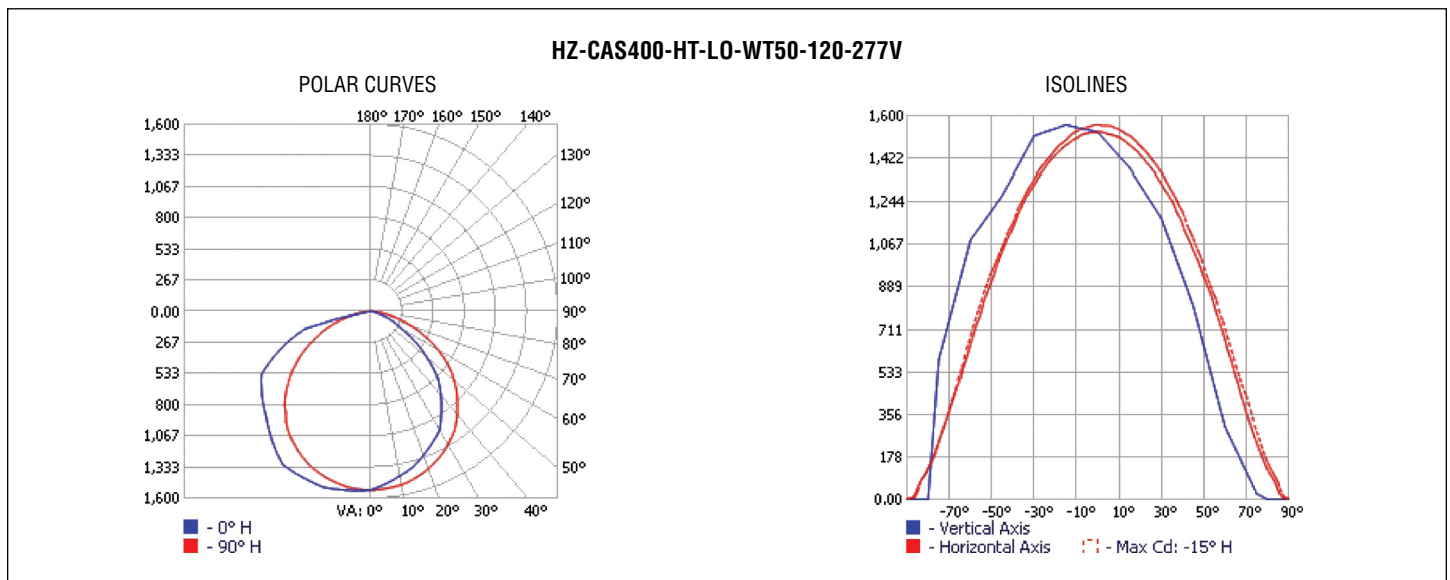
4FT



## MOUNTING OPTIONS



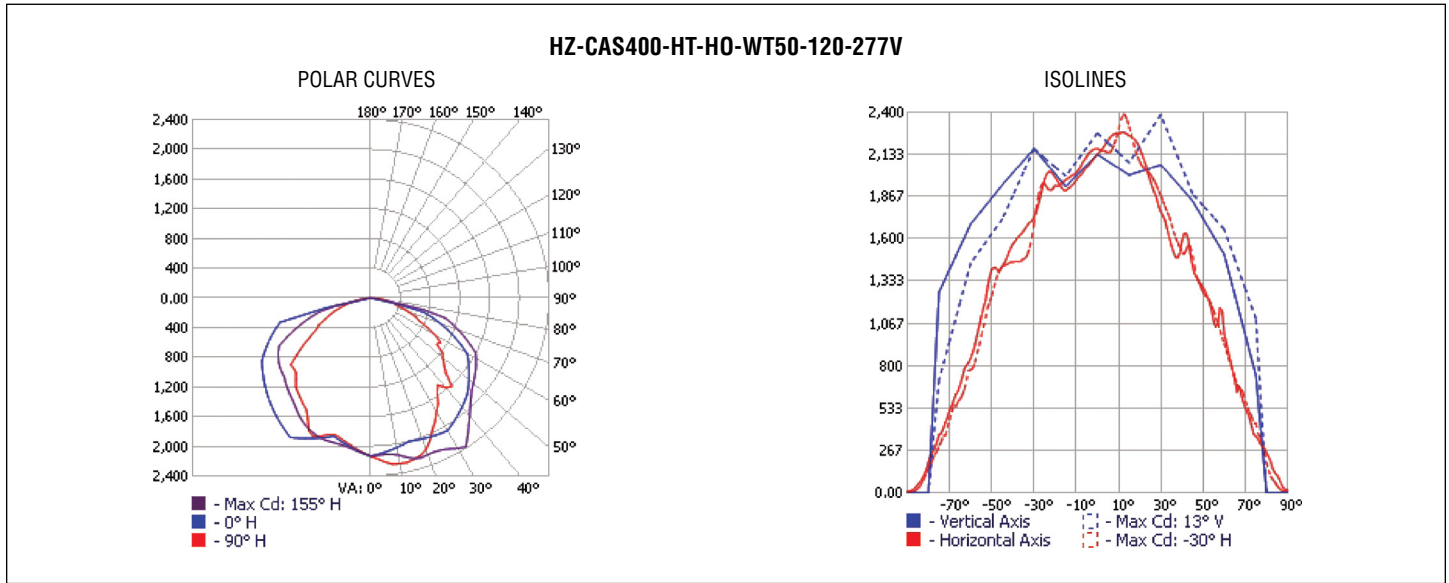
## PHOTOMETRICS



# CASTEX 400

ADDITIONAL INFORMATION

## PHOTOMETRICS



## ENERGY CHART

MODEL	EFFICACY	CONSUMPTION WATTAGE	LUMEN OUTPUT	CRI	L70 (HRS) TESTED	L70 (HRS) PROJECTED
HZ-CAS-400-HT-L0-WT50-120-277V	140 lm/W	30W	4200 lm	>70	>44,000	>72,000
HZ-CAS-400-HT-H0-WT50-120-277V	140 lm/W	50W	7000 lm	>70	>44,000	>72,000
HZ-CAS-400-HT-VH0-WT50-120-277V	140 lm/W	60W	8400 lm	>70	>44,000	>72,000

## ELECTRICAL RATING

PRODUCT	NOMINAL POWER (W)	AC CURRENT (A) AC VOLTAGE		FREQUENCY (HZ)	DC VOLTAGE (V)	DC CURRENT (MA)
		120 V	277 V			
HZ-CAS-400-HT-L0	30W	0.26	0.11	50/60	48	625
HZ-CAS-400-HT-H0	50W	0.42	0.18	50/60	48	1040
HZ-CAS-400-HT-VH0	60W	0.50	0.22	50/60	48	1250

## DIMMER COMPATIBILITY

DIMMER	COMPATIBILITY	
	ON/OFF	DIMMING
LEVITON - AWRMG-7	YES	YES
LUTRON - DIVE - DVSTV	YES	YES

■ **WARRANTY:** 5 years, see website for full warranty details.