

CASTEX 320



HAZARDOUS

- The **CASTEX 320** is a hazardous location luminaire rated for use in:
 - Class I, Division 1, Groups C, D
 - Class I, Division 2, Groups A, B, C, D
 - Class II, Division 1, Groups E, F, G
 - Class II, Division 2, Groups F, G
 - Class III
 - UL1598 (Wet Location) & UL1598A (Marine)
- The **CASTEX 320** comes standard in gray with a surface/wall mount bracket.
- **HOUSING:** Die-cast ADC12/A383 6mm aluminum alloy body.
- **DIFFUSER:** 8 mm tempered glass, 120° distribution. Other distributions available (40°, 60° & 90°); contact factory for details.
- **COLOR TEMPERATURE:** 5000K. Other color temperatures available (2200K to 7000K); contact factory for details.
- **LUMENS:**
 - VLO: 60W @ 8400 lm
 - LO: 80W @ 11200 lm
 - MO: 100W @ 14000 lm
 - HO: 150W @ 21000 lm
- **OPERATING TEMP:**
 - HT (AC Only) -40°F to 131°F (-40°C to 55°C)
 - SA (AC & EM) 14°F to 131°F (-10°C to 55°C)
- **WEIGHT:** 15.4 lbs to 39.4 lbs (7kg to 17.9kg)



- **APPLICATION:** The **CASTEX 320** is ideal for heavy industry such as mining, refineries, chemical, food, coastal marine facilities and corrosive applications.

CONFIGURATIONS

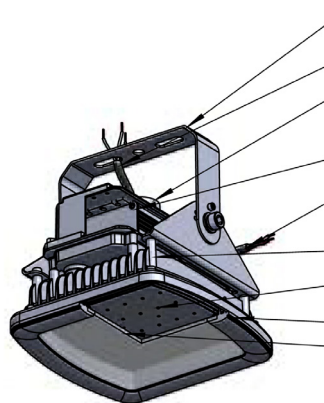
MODEL	OPERATION	OUTPUT	DIMMABLE	COLOR TEMP	INPUT	MOUNTING
HZ-CAS320	HT (AC only)	VLO	DIM (0-10V dimming)	WT50 ² (5000K)	120-277V	PK12 (12" pendant kit)
	SA ¹ (AC & EM)	LO			200-480V	
		MO				
		HO				

NOTE 1: Contact factory.

NOTE 2: Other Color temperatures available (2200K to 7000K). Contact factory.

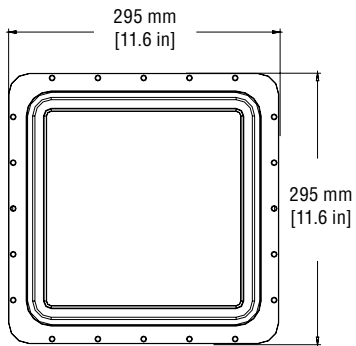
NOTE: Surface/wall mount is standard.

DIAGRAM

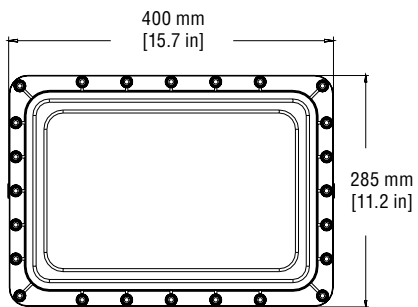
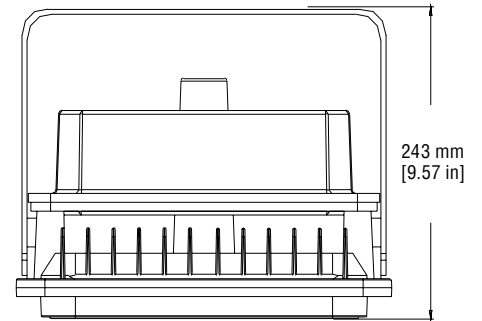
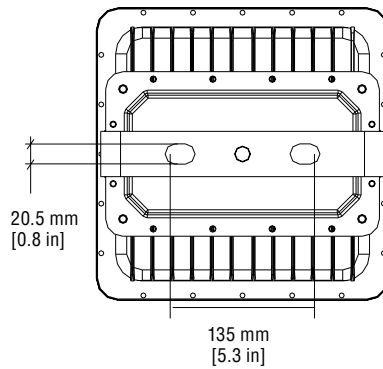


- 3mm THICK STEEL MOUNTING BRACKET (ADJUSTABLE) WITH GRAY POWDER COAT FINISH IS STANDARD.
- 18/3 - CONDUCTOR POWER CORD (AC INPUT); 6FT IN LENGTH.
- CAST ALUMINUM DRIVER COMPARTMENT WITH GRAY POWDER COAT FINISH; WITH 3/4 NPT THREADED CONNECTION.
- ELECTRONIC 0-10V DIMMING DRIVER FOR 120-277V 50/60Hz (10-100%); OPERATION. (SYSTEM POWER CONSUMPTION 60W & 80W).
- 18/2-CONDUCTOR LOW VOLTAGE CORD (DIMMING); 6FT IN LENGTH.
- CAST ALUMINUM HEAT SINK WITH GRAY POWDER COAT FINISH.
- LED CIRCUIT BOARD.
- TRIM RING WITH SILVER POWDER COAT FINISH.
- 4mm THICK TEMPERED GLASS LENS.

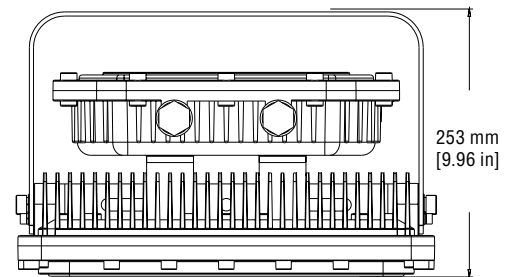
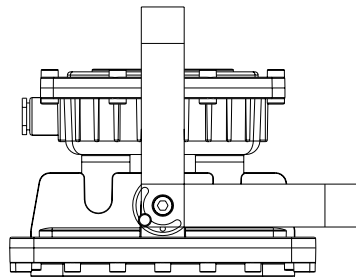
DIMENSIONS



SQUARE



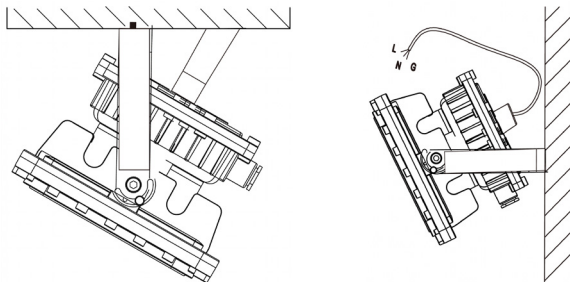
RECTANGLE



MOUNTING OPTIONS

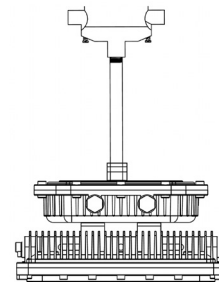
Standard

(surface/wall mount bracket)
(Aimable 90° both sides -22.5° increments.)



Pendant Kit

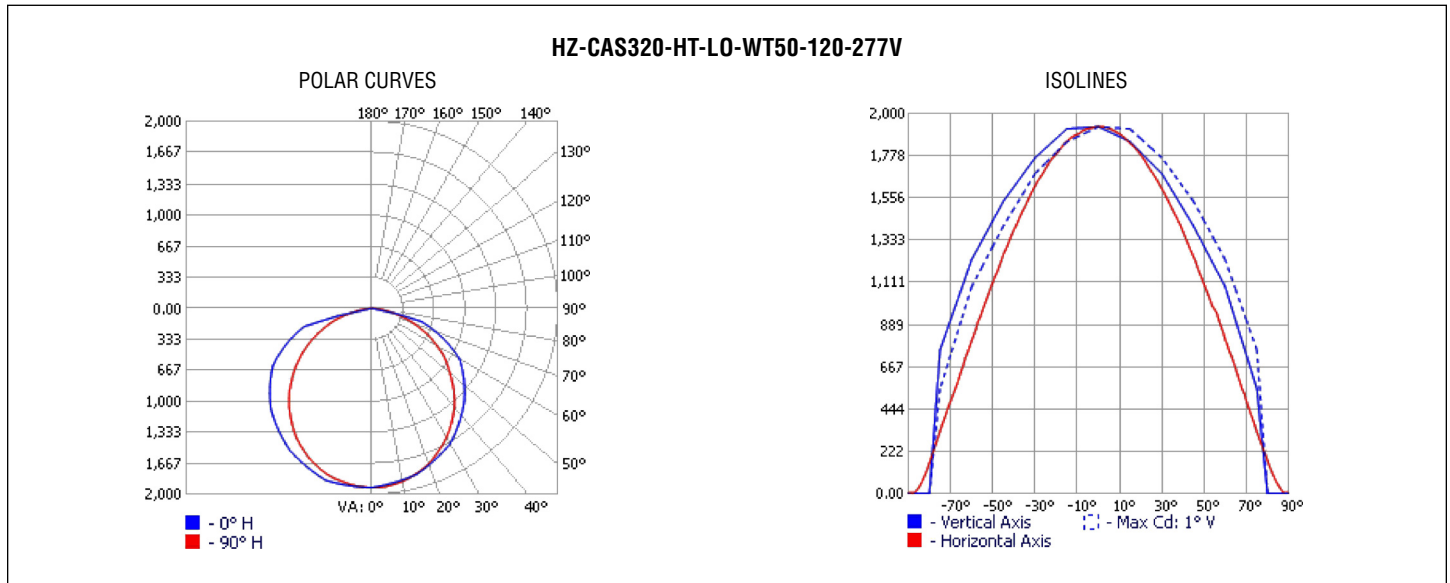
(PK)
(TYP. 12", 24", 48", other specify)



CASTEX 320

ADDITIONAL INFORMATION

PHOTOMETRICS



ENERGY CHART

MODEL	EFFICACY	CONSUMPTION WATTAGE	LUMEN OUTPUT	CRI	L70 (HRS) TESTED	L70 (HRS) PROJECTED
HZ-CAS-320-HT-VLO-WT50-120-277V	140 lm/W	60	8400 lm	>70	>44,000	>72,000
HZ-CAS-320-HT-LO-WT50-120-277V	140 lm/W	80	11200 lm	>70	>44,000	>72,000
HZ-CAS-320-HT-MO-WT50-120-277V	140 lm/W	100	14000 lm	>70	>44,000	>72,000
HZ-CAS-320-HT-HO-WT50-120-277V	140 lm/W	150	21000 lm	>70	>44,000	>72,000

ELECTRICAL RATING

PRODUCT	NOMINAL POWER (W)	AC CURRENT (A) AC VOLTAGE		FREQUENCY (HZ)	DC VOLTAGE (V)	DC CURRENT (MA)
		120 V	277 V			
HZ-CAS-320-HT-VLO	60	0.51	0.22	50/60	48	1250
HZ-CAS-320-HT-LO	80	0.68	0.29	50/60	48	1670
HZ-CAS-320-HT-MO	100	0.85	0.37	50/60	48	2090
HZ-CAS-320-HT-HO	150	1.28	0.55	50/60	48	3130

DIMMER COMPATIBILITY

DIMMER	COMPATIBILITY	
	ON/OFF	DIMMING
LEVITON - AWRMG-7	YES	YES
LUTRON - DIVE - DVSTV	YES	YES

■ **WARRANTY:** 5 years, see website for full warranty details.