

CASTEX 310



HAZARDOUS

■ The **CASTEX 310** is a hazardous location luminaire rated for use in:

- Class I, Division 1, Groups C, D
- Class I, Division 2, Groups A, B, C, D
- Class II, Division 1, Groups E, F, G
- Class II, Division 2, Groups F, G
- Class III
- UL1598 (Wet Location) & UL1598A (Marine)

■ The **CASTEX 310** comes standard in gray with a surface/wall mount.

■ **HOUSING:** Die-cast ADC12/A383 6 mm aluminum alloy body.

■ **COLOR TEMPERATURE:** 5000K. Other color temperatures available (2200K to 7000K); contact factory for details.

■ **DIFFUSER:** 8 mm tempered glass, wide distribution 120°. Other distributions available (40°, 60° & 90°); contact factory for details.

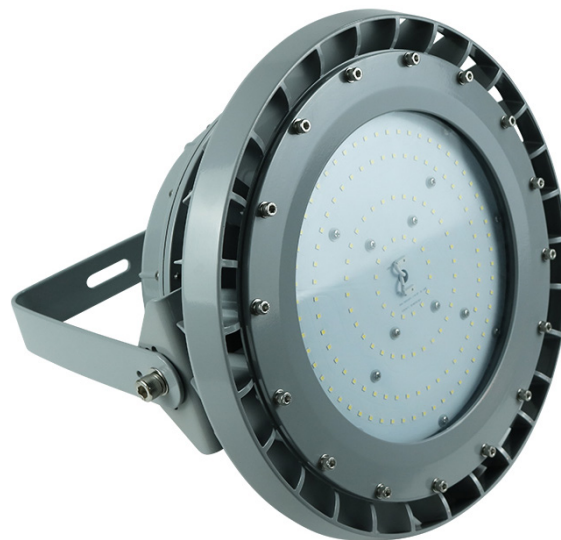
■ **LUMENS:**

- VLO: 60W @ 8400 lm
- LO: 80W @ 11200 lm
- MO: 100W @ 14000 lm
- HO: 150W @ 21000 lm
- VHO: 250W @ 35000 lm

■ **OPERATING TEMP:**

- HT (AC Only) -40°F to 140°F (-40°C to 60°C)
- SA (AC & EM) 14°F to 140°F (-10°C to 60°C)

■ **WEIGHT:** 31 lbs to 46 lbs (14kg to 21kg)



■ **APPLICATION:** The **CASTEX 310** is ideal for use in extreme hazardous locations such as oil and gas, chemical, marine and food industries. This unit is suitable for high humidity, high dust, high temperature and high vapor locations.

CONFIGURATIONS

MODEL	OPERATION	OUTPUT	DIMMING	COLOR TEMP	INPUT	MOUNTING
HZ-CAS310	HT (AC only)	VLO	DIM (0-10V dimming)	WT50 ² (5000K)	120-277V	HK ³ (hook mount)
	SA ¹ (AC & EM)	LO				PK12 (12" pendant kit)
		MO				
		HO				
		VHO				

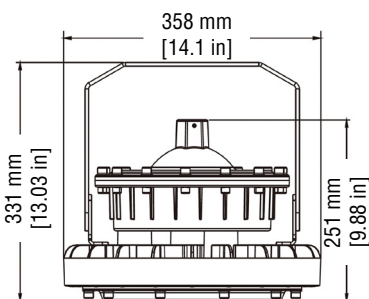
NOTE 1: Contact factory.

NOTE 2: Other Color temperatures available (2200K to 7000K). Contact factory.

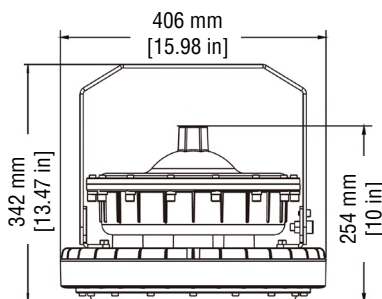
NOTE 3: Specify length.

NOTE: Surface/wall mount is standard.

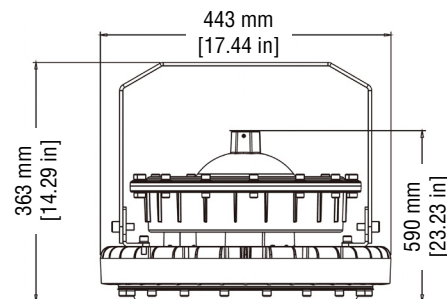
DIMENSIONS



VLO & LO

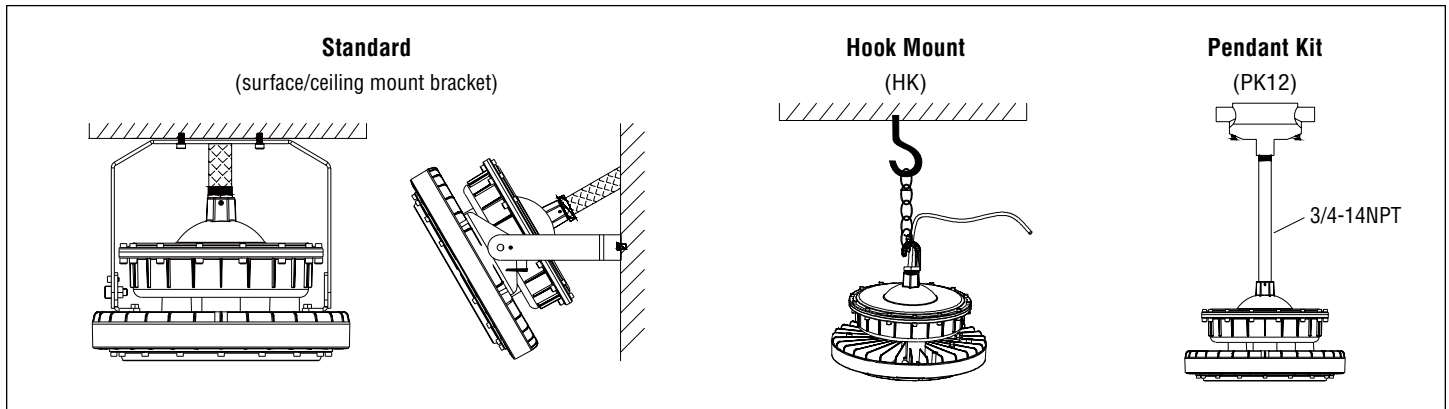


MO & HO

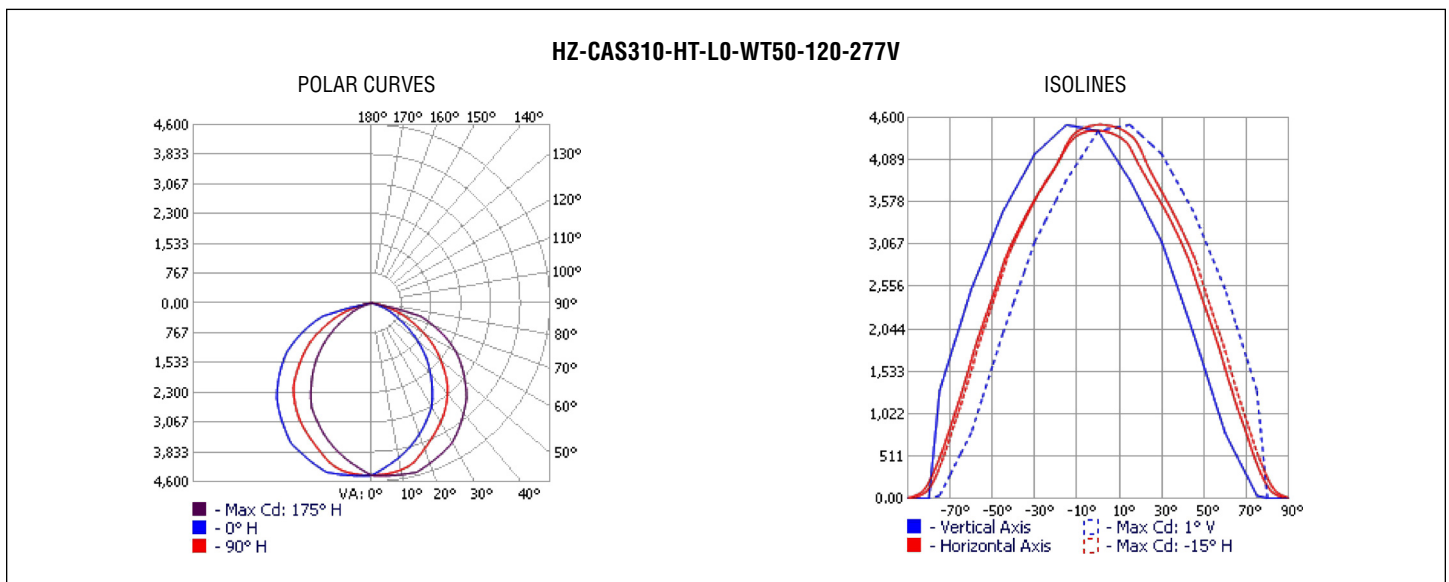


VHO

MOUNTING



PHOTOMETRICS



ENERGY CHART

MODEL	EFFICACY	CONSUMPTION WATTAGE	LUMEN OUTPUT	CRI	L70 (HRS) TESTED	L70 (HRS) PROJECTED
HZ-CAS-310-HT-VL0-WT50-120-277V	140 lm/W	60	8400 lm	>70	>44,000	>72,000
HZ-CAS-310-HT-L0-WT50-120-277V	140 lm/W	80	11200 lm	>70	>44,000	>72,000
HZ-CAS-310-HT-M0-WT50-120-277V	140 lm/W	100	14000 lm	>70	>44,000	>72,000
HZ-CAS-310-HT-H0-WT50-120-277V	140 lm/W	150	21000 lm	>70	>44,000	>72,000
HZ-CAS-310-HT-VH0-WT50-120-277V	140 lm/W	250	35000 lm	>70	>44,000	>72,000

CASTEX 310

ADDITIONAL INFORMATION

ELECTRICAL RATING

PRODUCT	NOMINAL POWER (W)	AC CURRENT (A) AC VOLTAGE		FREQUENCY (HZ)	DC VOLTAGE (V)	DC CURRENT (MA)
		120 V	277 V			
HZ-CAS-310-HT-VLO	60	0.51	0.22	50/60	48	1250
HZ-CAS-310-HT-LO	80	0.68	0.29	50/60	48	1670
HZ-CAS-310-HT-MO	100	0.85	0.37	50/60	48	2090
HZ-CAS-310-HT-HO	150	1.28	0.55	50/60	48	3130
HZ-CAS-310-HT-VHO	250	2.10	0.91	50/60	48	5210

■ **WARRANTY:** 5 years, see website for full warranty details.