

CASTEX 300



HAZARDOUS - LOW TO HIGH BAY

- The **CASTEX 300** is a hazardous location luminaire rated for use in:
 - Class I, Division 2, Groups A, B, C, D
 - Class II, Division 1, Groups E, F, G
 - Class II, Division 2, Groups F, G
 - Class III
 - UL1598 (Wet Location) & UL1598A (Marine)
- The **CASTEX 300** comes standard in gray with a surface/wall mount.
- **HOUSING:** Die-cast ADC12/A383 6mm aluminum alloy body.
- **COLOR TEMPERATURE:** 5000K. Other color temperatures available (2200K to 7000K); contact factory for details.
- **DIFFUSER:** 4 mm tempered glass, 120° distribution. Other distributions available (40°, 60° & 90°); contact factory for details.
- **LUMENS:**
 - VLO: 60W @ 8400 lm
 - LO: 100W @ 14000 lm
 - MO: 150W @ 21000 lm
 - HO: 200W @ 28000 lm
 - VHO: 250W @ 35000 lm
 - XHO: 400W @ 56000 lm
- **OPERATING TEMP:**
 - HT (AC Only) -40°F to 131°F (-40°C to 55°C)
 - SA (AC & EM) 14°F to 131°F (-10°C to 55°C)
- **WEIGHT:** 7.7 lbs to 41.4 lbs (3.5kg to 18.8kg)



- **APPLICATION:** The **CASTEX 300** is ideal for use in heavy industrial areas such as mining, refineries, chemical, fuel and marine locations.

CONFIGURATIONS

MODEL	OPERATION	OUTPUT	DIMMING	COLOR TEMP	INPUT	MOUNTING
HZ-CAS300	HT (AC only)	VLO	DIM (0-10V dimming)	WT50 ² (5000K)	120-277V	HK (hook mount)
	SA ¹ (AC & EM)	LO				PK12 (12" pendant kit)
		MO				
		HO				
		VHO				
		XHO				

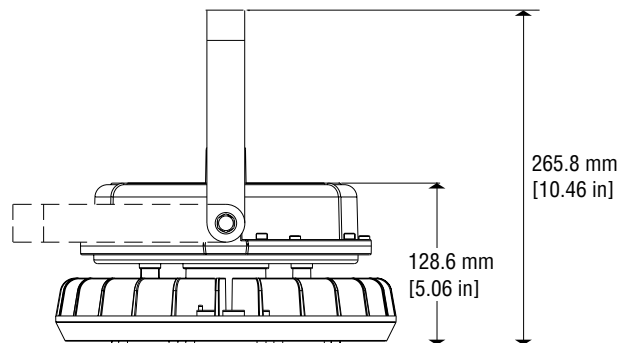
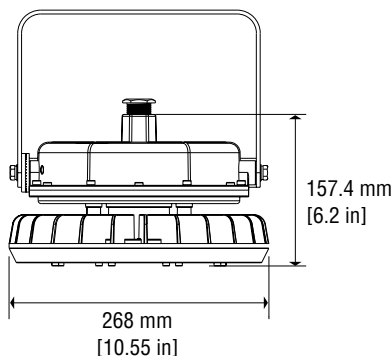
NOTE 1: Contact factory.

NOTE 2: Other Color temperatures available (2200K to 7000K). Contact factory for details.

NOTE: Surface/wall mount is standard.

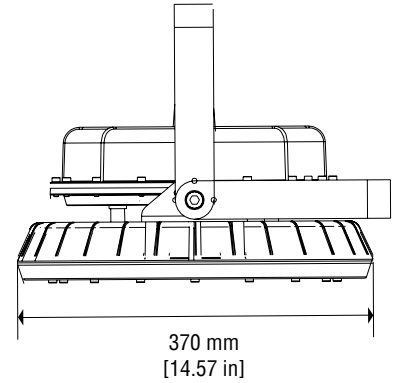
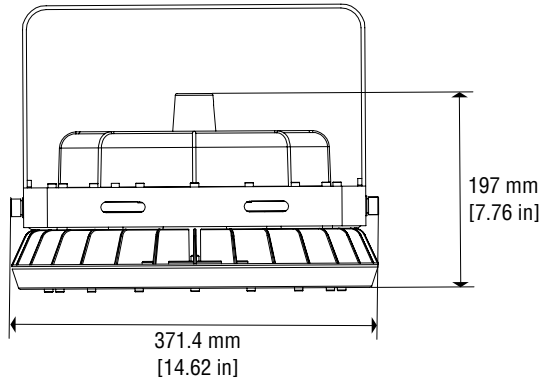
DIMENSIONS

VLO

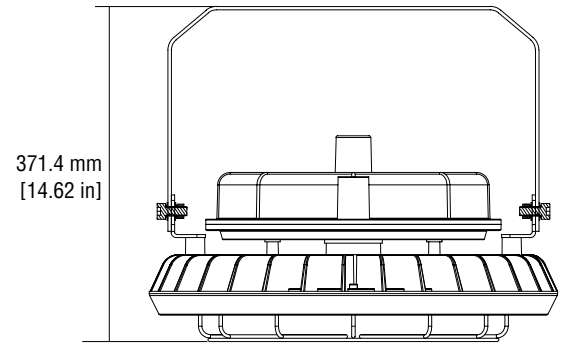
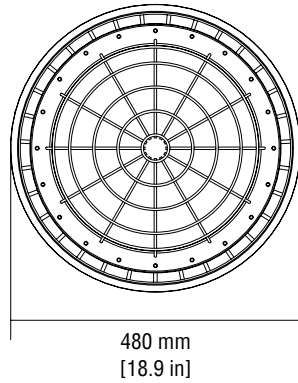


DIMENSIONS

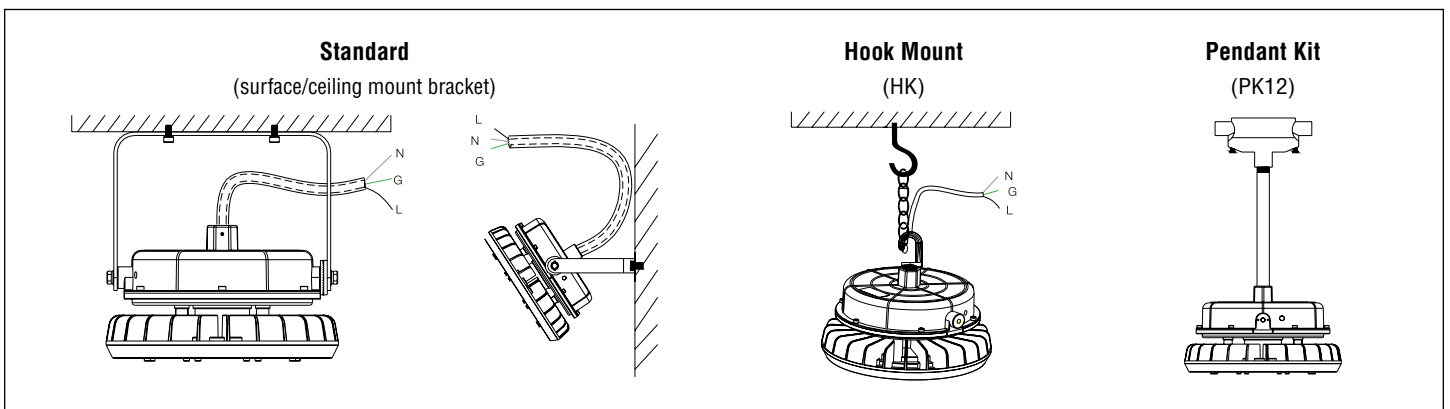
LO & MO



HO



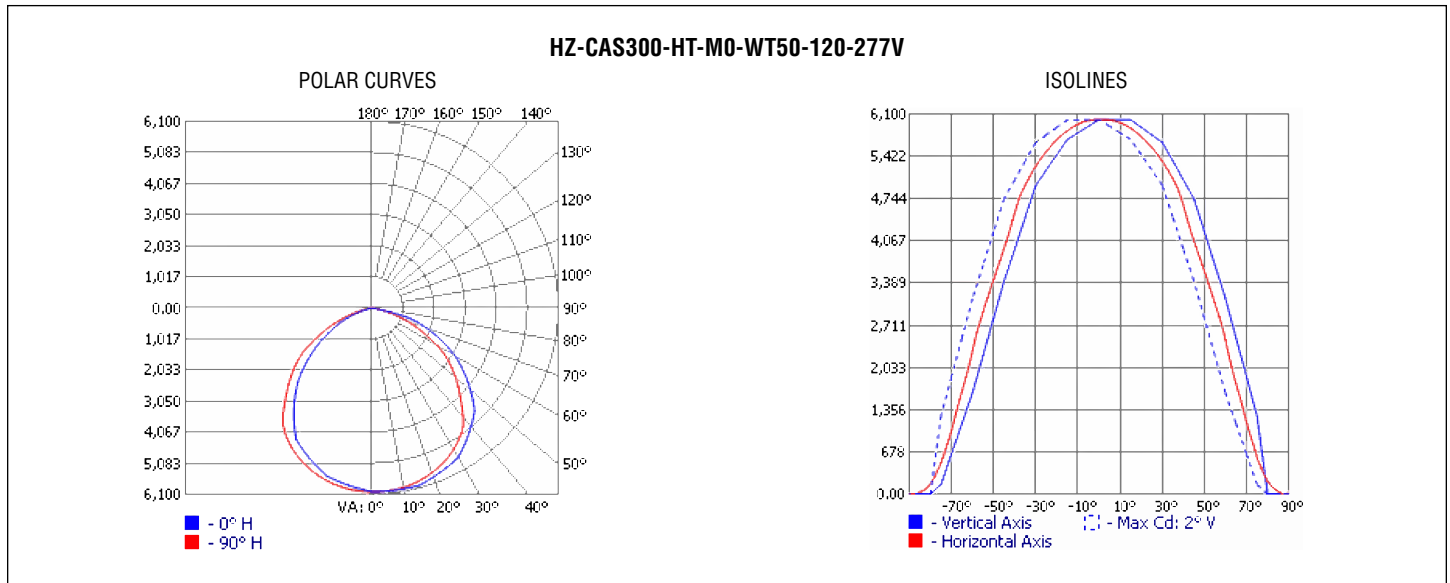
MOUNTING OPTIONS



CASTEX 300

ADDITIONAL INFORMATION

PHOTOMETRICS



ENERGY CHART

MODEL	EFFICACY	CONSUMPTION WATTAGE	LUMEN OUTPUT	CRI	L70 (HRS) TESTED	L70 (HRS) PROJECTED
HZ-CAS-300-HT-VL0-WT50-120-277V	140 lm/W	60	8400 lm	>70	>44,000	>72,000
HZ-CAS-300-HT-L0-WT50-120-277V	140 lm/W	100	14000 lm	>70	>44,000	>72,000
HZ-CAS-300-HT-M0-WT50-120-277V	140 lm/W	150	21000 lm	>70	>44,000	>72,000
HZ-CAS-300-HT-H0-WT50-120-277V	140 lm/W	200	28000 lm	>70	>44,000	>72,000
HZ-CAS-300-HT-VH0-WT50-120-277V	140 lm/W	250	35000 lm	>70	>44,000	>72,000
HZ-CAS-300-HT-XH0-WT50-120-277V	140 lm/W	400	56000 lm	>70	>44,000	>72,000

ELECTRICAL RATING

PRODUCT	NOMINAL POWER (W)	AC CURRENT (A) AC VOLTAGE		FREQUENCY (HZ)	DC VOLTAGE (V)	DC CURRENT (MA)
		120 V	277 V			
HZ-CAS-300-HT-VL0	60	0.51	0.22	50/60	48	1250
HZ-CAS-300-HT-L0	100	0.85	0.37	50/60	48	2090
HZ-CAS-300-HT-M0	150	1.28	0.55	50/60	48	3130
HZ-CAS-300-HT-H0	200	1.67	0.73	50/60	48	4170
HZ-CAS-300-HT-VH0	250	2.10	0.91	50/60	48	5210
HZ-CAS-300-HT-XH0	400	3.35	1.45	50/60	48	8350

■ **WARRANTY:** 5 years, see website for full warranty details.